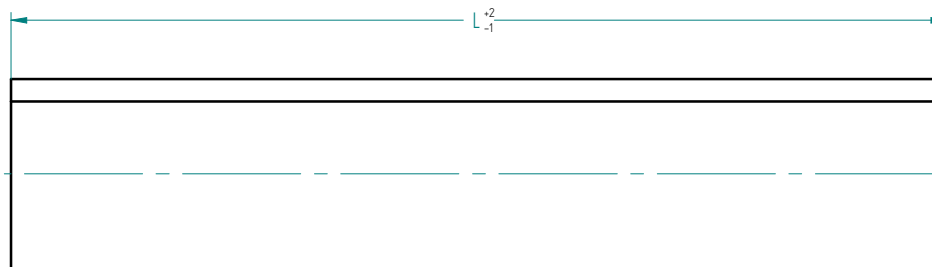
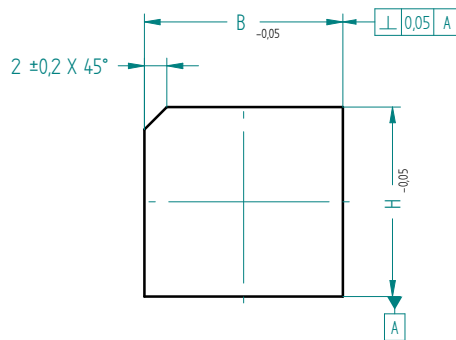
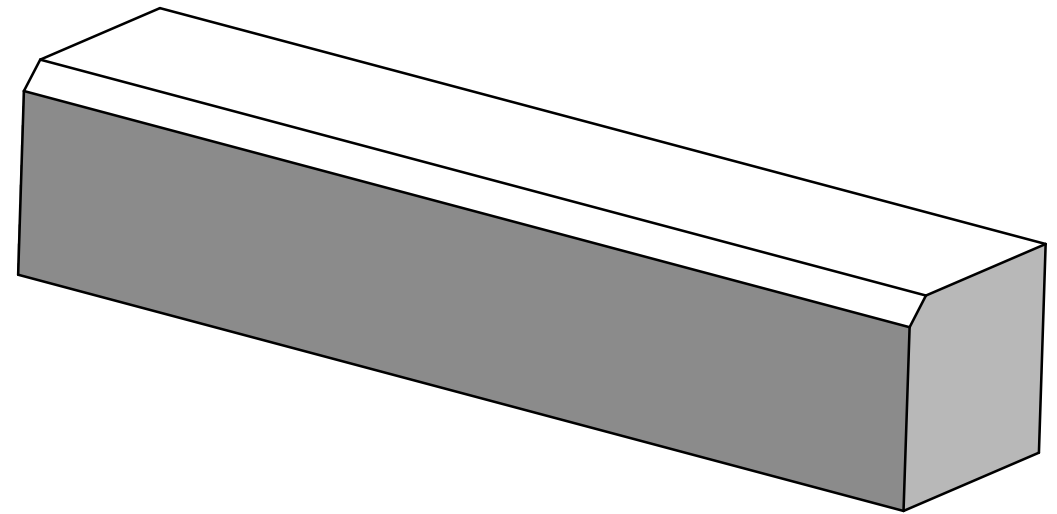


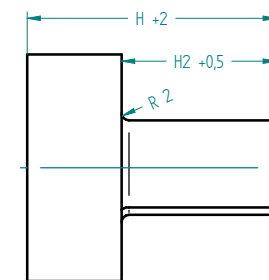
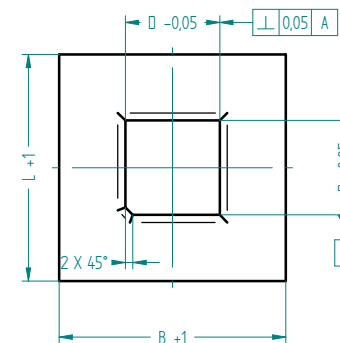
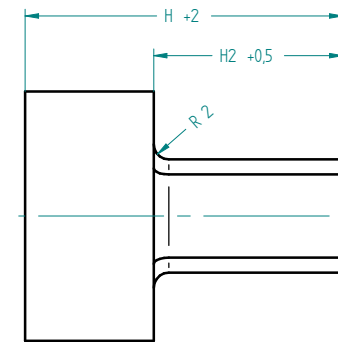
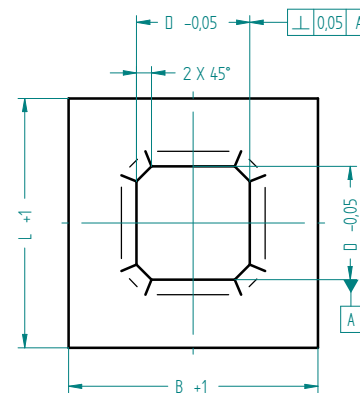
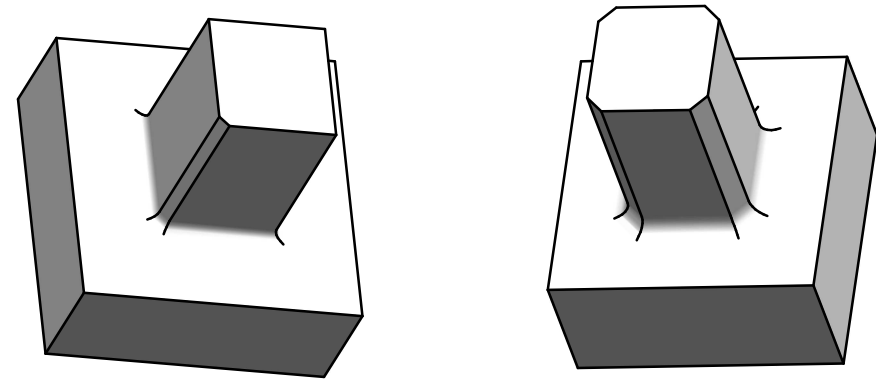
# Erowa® Standard Electrode / Erowa® Standardelektrode

Vertriebstext / Salestext	Material Nr.
ESE RINGSDORFF® R8510 120 x 25 x 25 (LxBxH) mm 1 x 2 mm Fase	885368
ESE RINGSDORFF® R8510 340 x 15 x 15 (LxBxH) mm 1 x 2 mm Fase	783456
ESE RINGSDORFF® R8510 340 x 25 x 25 (LxBxH) mm 1 x 2 mm Fase	783472
ESE RINGSDORFF® R8650 100 x 25 x 25 (LxBxH) mm 1 x 2 mm Fase	792144
ESE RINGSDORFF® R8650 340 x 15 x 15 (LxBxH) mm 1 x 2 mm Fase	783457
ESE RINGSDORFF® R8650 340 x 20 x 20 (LxBxH) mm 1 x 2 mm Fase	783470
ESE RINGSDORFF® R8650 340 x 25 x 25 (LxBxH) mm 1 x 2 mm Fase	783473
ESE RINGSDORFF® R8650 75 x 15 x 15 (LxBxH) mm 1 x 2 mm Fase	792143
ESE RINGSDORFF® R8650 80 x 25 x 25 (LxBxH) mm 1 x 2 mm Fase	750837
ESE RINGSDORFF® R8710 100 x 25 x 25 (LxBxH) mm 1 x 2 mm Fase	792146
ESE RINGSDORFF® R8710 300 x 15 x 15 (LxBxH) mm 1 x 2 mm Fase	733457
ESE RINGSDORFF® R8710 340 x 15 x 15 (LxBxH) mm 1 x 2 mm Fase	783458
ESE RINGSDORFF® R8710 340 x 20 x 20 (LxBxH) mm 1 x 2 mm Fase	783471
ESE RINGSDORFF® R8710 340 x 25 x 25 (LxBxH) mm 1 x 2 mm Fase	783474
ESE RINGSDORFF® R8710 340 x 40 x 40 (LxBxH) mm 1 x 2 mm Fase	884863
ESE RINGSDORFF® R8710 75 x 15 x 15 (LxBxH) mm 1 x 2 mm Fase	792145



# Erowa® Mushroom Electrode / Erowa® Pilzkopfelektrode

Vertriebstext / Salestext	Material Nr.
EME RINGSORFF® R8510 27 x 27 x 80 (LxBxH) mm Schaft 15 x 15 x 35 mm 1 x 2 mm Fase	768746
EME RINGSORFF® R8510 30 x 30 x 80 (LxBxH) mm Schaft 25 x 25 x 41 mm 1 x 2 mm Fase	819857
EME RINGSORFF® R8510 37 x 37 x 80 (LxBxH) mm Schaft 15 x 15 x 35 mm 1 x 2 mm Fase	769936
EME RINGSORFF® R8510 40 x 40 x 80 (LxBxH) mm Schaft 25 x 25 x 41 mm 1 x 2 mm Fase	782466
EME RINGSORFF® R8510 50 x 50 x 80 (LxBxH) mm Schaft 25 x 25 x 41 mm 1 x 2 mm Fase	786144
EME RINGSORFF® R8510 60 x 60 x 80 (LxBxH) mm Schaft 25 x 25 x 41 mm 1 x 2 mm Fase	885369
EME RINGSORFF® R8650 20 x 20 x 60 (LxBxH) mm Schaft 15 x 15 x 33 mm 1 x 2 mm Fase	876607
EME RINGSORFF® R8650 20 x 20 x 80 (LxBxH) mm Schaft 15 x 15 x 33 mm 1 x 2 mm Fase	876608
EME RINGSORFF® R8650 27 x 27 x 80 (LxBxH) mm Schaft 15 x 15 x 35 mm 1 x 2 mm Fase	769192
EME RINGSORFF® R8650 30 x 30 x 60 (LxBxH) mm Schaft 15 x 15 x 33 mm 1 x 2 mm Fase	862078
EME RINGSORFF® R8650 30 x 30 x 65 (LxBxH) mm Schaft 15 x 15 x 33 mm 1 x 2 mm Fase	852537
EME RINGSORFF® R8650 30 x 30 x 80 (LxBxH) mm Schaft 15 x 15 x 33 mm 1 x 2 mm Fase	876609
EME RINGSORFF® R8650 35 x 35 x 65 (LxBxH) mm Schaft 15 x 15 x 33 mm 1 x 2 mm Fase	852538
EME RINGSORFF® R8650 35 x 35 x 85 (LxBxH) mm Schaft 15 x 15 x 33 mm 1 x 2 mm Fase	860012
EME RINGSORFF® R8650 37 x 37 x 80 (LxBxH) mm Schaft 15 x 15 x 35 mm 1 x 2 mm Fase	769937
EME RINGSORFF® R8650 40 x 40 x 60 (LxBxH) mm Schaft 15 x 15 x 33 mm 1 x 2 mm Fase	789270
EME RINGSORFF® R8650 40 x 40 x 65 (LxBxH) mm Schaft 15 x 15 x 33 mm 1 x 2 mm Fase	855179
EME RINGSORFF® R8650 40 x 40 x 80 (LxBxH) mm Schaft 15 x 15 x 33 mm 1 x 2 mm Fase	789271
EME RINGSORFF® R8650 40 x 40 x 80 (LxBxH) mm Schaft 25 x 25 x 41 mm 1 x 2 mm Fase	783577
EME RINGSORFF® R8650 50 x 30 x 80 (LxBxH) mm Schaft 25 x 25 x 41 mm 4 x 2 mm Fasen	819027
EME RINGSORFF® R8650 50 x 50 x 60 (LxBxH) mm Schaft 15 x 15 x 33 mm 1 x 2 mm Fase	789273
EME RINGSORFF® R8650 50 x 50 x 80 (LxBxH) mm Schaft 15 x 15 x 33 mm 1 x 2 mm Fase	789274
EME RINGSORFF® R8650 60 x 40 x 80 (LxBxH) mm Schaft 25 x 25 x 41 mm 4 x 2 mm Fasen	819028
EME RINGSORFF® R8650 60 x 60 x 60 (LxBxH) mm Schaft 15 x 15 x 33 mm 1 x 2 mm Fase	789275
EME RINGSORFF® R8650 60 x 60 x 80 (LxBxH) mm Schaft 15 x 15 x 33 mm 1 x 2 mm Fase	789276
EME RINGSORFF® R8650 60 x 60 x 81 (LxBxH) mm Schaft 25 x 25 x 41 mm 1 x 2 mm Fase	891798
EME RINGSORFF® R8650 80 x 40 x 80 (LxBxH) mm Schaft 25 x 25 x 41 mm 4 x 2 mm Fasen	819029
EME RINGSORFF® R8710 20 x 20 x 60 (LxBxH) mm Schaft 15 x 15 x 33 mm 1 x 2 mm Fase	862077
EME RINGSORFF® R8710 20 x 20 x 80 (LxBxH) mm Schaft 15 x 15 x 33 mm 1 x 2 mm Fase	876610
EME RINGSORFF® R8710 30 x 30 x 60 (LxBxH) mm Schaft 15 x 15 x 33 mm 1 x 2 mm Fase	862079
EME RINGSORFF® R8710 30 x 30 x 80 (LxBxH) mm Schaft 15 x 15 x 33 mm 1 x 2 mm Fase	876611
EME RINGSORFF® R8710 40 x 40 x 60 (LxBxH) mm Schaft 15 x 15 x 33 mm 1 x 2 mm Fase	789283
EME RINGSORFF® R8710 40 x 40 x 65 (LxBxH) mm Schaft 25 x 25 x 26 mm 1 x 2 mm Fase	756994
EME RINGSORFF® R8710 40 x 40 x 80 (LxBxH) mm Schaft 15 x 15 x 33 mm 1 x 2 mm Fase	789284
EME RINGSORFF® R8710 40 x 40 x 85 (LxBxH) mm Schaft 25 x 25 x 26 mm 1 x 2 mm Fase	756995
EME RINGSORFF® R8710 50 x 50 x 60 (LxBxH) mm Schaft 15 x 15 x 33 mm 1 x 2 mm Fase	789285
EME RINGSORFF® R8710 60 x 60 x 60 (LxBxH) mm Schaft 15 x 15 x 33 mm 1 x 2 mm Fase	789286

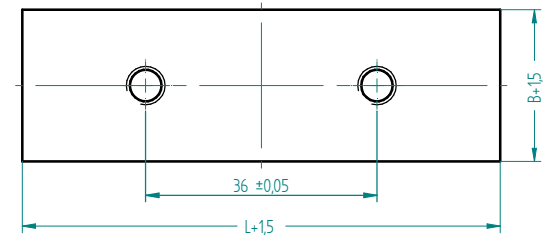
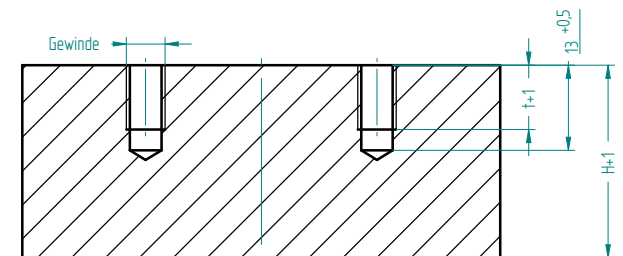
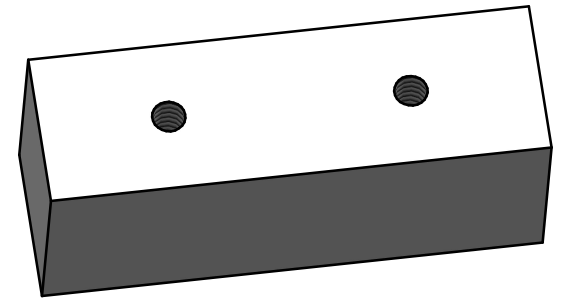
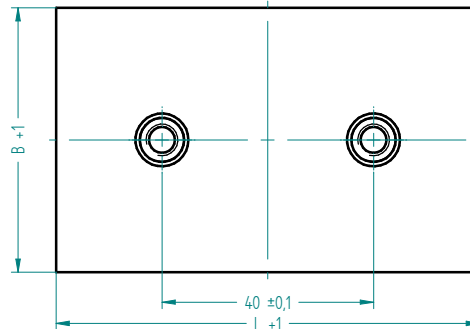
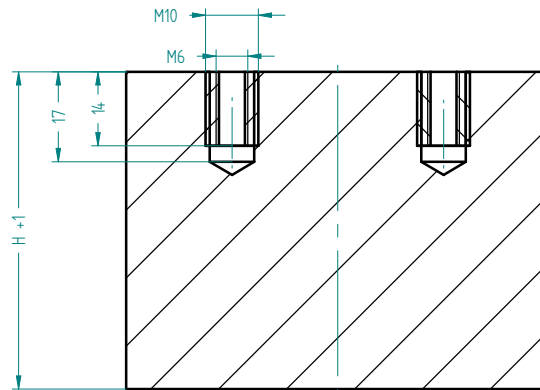
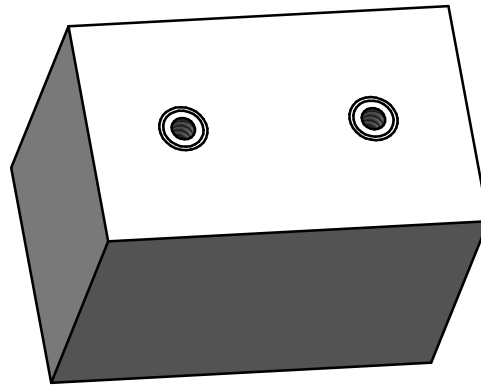
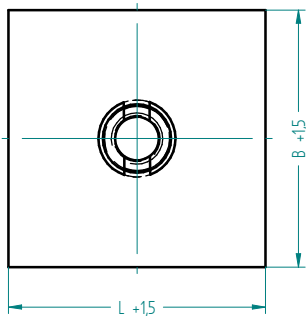
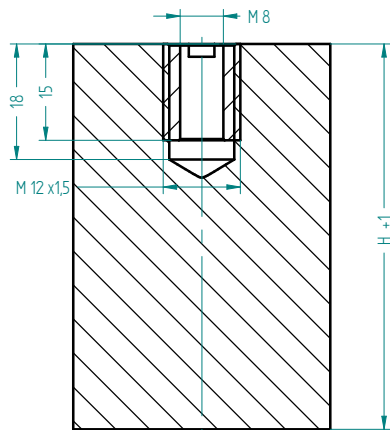
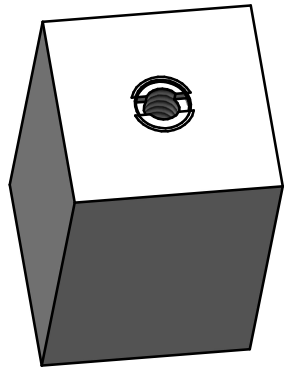


# Hole Pattern Electrode / Bohrbildelektrode

Vertriebstext / Salestext	Material Nr.
HPE RINGSDORFF® R8510 105 x 75 x 50 (LxBxH) mm 2 x M6 - Abstand 40 - Ensat	857399
HPE RINGSDORFF® R8510 120 x 60 x 80 (LxBxH) mm 2 x M6 - Abstand 40 - Ensat	878607
HPE RINGSDORFF® R8510 125 x 55 x 50 (LxBxH) mm 2 x M6 - Abstand 40 - Ensat	857412
HPE RINGSDORFF® R8510 30 x 30 x 110 (LxBxH) mm 1 x M8 - Ensat	815270
HPE RINGSDORFF® R8510 30 x 30 x 50 (LxBxH) mm 1 x M8 - Ensat	878608
HPE RINGSDORFF® R8510 30 x 30 x 60 (LxBxH) mm 1 x M8 - Ensat	815405
HPE RINGSDORFF® R8510 30 x 30 x 80 (LxBxH) mm 1 x M8 - Ensat	815404
HPE RINGSDORFF® R8510 40 x 40 x 110 (LxBxH) mm 1 x M8 - Ensat	815273
HPE RINGSDORFF® R8510 40 x 40 x 50 (LxBxH) mm 1 x M8 - Ensat	875956
HPE RINGSDORFF® R8510 40 x 40 x 60 (LxBxH) mm 1 x M8 - Ensat	815271
HPE RINGSDORFF® R8510 40 x 40 x 80 (LxBxH) mm 1 x M8 - Ensat	815272
HPE RINGSDORFF® R8510 50 x 30 x 60 (LxBxH) mm 2 x M6 - Abstand 36mm	815262
HPE RINGSDORFF® R8510 50 x 30 x 80 (LxBxH) mm 2 x M6 - Abstand 36mm	815263
HPE RINGSDORFF® R8510 50 x 50 x 110 (LxBxH) mm 2 x M6 - Abstand 36mm	815257
HPE RINGSDORFF® R8510 50 x 50 x 60 (LxBxH) mm 2 x M6 - Abstand 36mm	815255
HPE RINGSDORFF® R8510 50 x 50 x 60 (LxBxH) mm 2 x M6 - Abstand 40 mm	872087
HPE RINGSDORFF® R8510 50 x 50 x 80 (LxBxH) mm 2 x M6 - Abstand 36mm	815256
HPE RINGSDORFF® R8510 60 x 40 x 60 (LxBxH) mm 2 x M6 - Abstand 36mm	815264
HPE RINGSDORFF® R8510 60 x 40 x 80 (LxBxH) mm 2 x M6 - Abstand 36mm	815265
HPE RINGSDORFF® R8510 60 x 60 x 110 (LxBxH) mm 2 x M6 - Abstand 36mm	815260
HPE RINGSDORFF® R8510 60 x 60 x 60 (LxBxH) mm 2 x M6 - Abstand 36mm	815258
HPE RINGSDORFF® R8510 60 x 60 x 60 (LxBxH) mm 2 x M6 - Abstand 40 - Ensat	878605
HPE RINGSDORFF® R8510 60 x 60 x 80 (LxBxH) mm 2 x M6 - Abstand 36mm	815259
HPE RINGSDORFF® R8510 65 x 45 x 35 (LxBxH) mm 2 x M6 - Abstand 40 - Ensat	817995
HPE RINGSDORFF® R8510 65 x 45 x 50 (LxBxH) mm 2 x M6 - Abstand 40 - Ensat	817993
HPE RINGSDORFF® R8510 65 x 45 x 60 (LxBxH) mm 2 x M6 - Abstand 40 - Ensat	851176
HPE RINGSDORFF® R8510 65 x 65 x 35 (LxBxH) mm 2 x M6 - Abstand 40 - Ensat	856728
HPE RINGSDORFF® R8510 65 x 65 x 50 (LxBxH) mm 2 x M6 - Abstand 40 - Ensat	858042
HPE RINGSDORFF® R8510 70 x 40 x 60 (LxBxH) mm 2 x M6 - Abstand 36mm	815266
HPE RINGSDORFF® R8510 70 x 40 x 80 (LxBxH) mm 2 x M6 - Abstand 36mm	815267

Vertriebstext / Salestext	Material Nr.
HPE RINGSDORFF® R8510 80 x 40 x 110 (LxBxH) mm 2 x M6 - Abstand 36mm	820595
HPE RINGSDORFF® R8510 80 x 40 x 60 (LxBxH) mm 2 x M6 - Abstand 36mm	815268
HPE RINGSDORFF® R8510 80 x 40 x 80 (LxBxH) mm 2 x M6 - Abstand 36mm	815269
HPE RINGSDORFF® R8510 80 x 80 x 60 (LxBxH) mm 2 x M6 - Abstand 36mm	817521
HPE RINGSDORFF® R8510 80 x 80 x 80 (LxBxH) mm 2 x M6 - Abstand 36mm	815261
HPE RINGSDORFF® R8510 85 x 45 x 50 (LxBxH) mm 2 x M6 - Abstand 40 - Ensat	856725
HPE RINGSDORFF® R8510 90 x 90 x 60 (LxBxH) mm 2 x M6 - Abstand 36mm	854645
HPE RINGSDORFF® R8510 90 x 90 x 80 (LxBxH) mm 2 x M6 - Abstand 36mm	854646
HPE RINGSDORFF® R8650 100 x 40 x 50 (LxBxH) mm 2 x M6 - Abstand 40 - Ensat	852560
HPE RINGSDORFF® R8650 105 x 75 x 50 (LxBxH) mm 2 x M6 - Abstand 40 - Ensat	857411
HPE RINGSDORFF® R8650 125 x 55 x 50 (LxBxH) mm 2 x M6 - Abstand 40 - Ensat	857413
HPE RINGSDORFF® R8650 130 x 70 x 60 (LxBxH) mm 2 x M6 - Abstand 40 - Ensat	864955
HPE RINGSDORFF® R8650 50 x 50 x 60 (LxBxH) mm 2 x M6 - Abstand 40 mmm	785944
HPE RINGSDORFF® R8650 50 x 50 x 60 (LxBxH) mm 2 x M6 - Abstand 40 mmm	872069
HPE RINGSDORFF® R8650 60 x 20 x 40 (LxBxH) mm 2 x M6 - Abstand 40 - Ensat	860014
HPE RINGSDORFF® R8650 60 x 30 x 40 (LxBxH) mm 2 x M6 - Abstand 40 - Ensat	855178
HPE RINGSDORFF® R8650 60 x 60 x 40 (LxBxH) mm 2 x M6 - Abstand 40 - Ensat	864569
HPE RINGSDORFF® R8650 60 x 60 x 60 (LxBxH) mm 2 x M6 - Abstand 40 mm	785948
HPE RINGSDORFF® R8650 65 x 45 x 35 (LxBxH) mm 2 x M6 - Abstand 40 - Ensat	817994
HPE RINGSDORFF® R8650 65 x 45 x 35 (LxBxH) mm 2 x M6 - Abstand 40 - Ensat	855729
HPE RINGSDORFF® R8650 65 x 45 x 50 (LxBxH) mm 2 x M6 - Abstand 40 - Ensat	817992
HPE RINGSDORFF® R8650 65 x 45 x 60 (LxBxH) mm 2 x M6 - Abstand 40 - Ensat	851178
HPE RINGSDORFF® R8650 65 x 65 x 35 (LxBxH) mm 2 x M6 - Abstand 40 - Ensat	856730
HPE RINGSDORFF® R8650 65 x 65 x 50 (LxBxH) mm 2 x M6 - Abstand 40 - Ensat	858043
HPE RINGSDORFF® R8650 70 x 30 x 40 (LxBxH) mm 2 x M6 - Abstand 40 - Ensat	860015
HPE RINGSDORFF® R8650 80 x 30 x 40 (LxBxH) mm 2 x M6 - Abstand 40 - Ensat	852539
HPE RINGSDORFF® R8650 80 x 80 x 40 (LxBxH) mm 2 x M6 - Abstand 40 - Ensat	860016
HPE RINGSDORFF® R8650 85 x 45 x 50 (LxBxH) mm 2 x M6 - Abstand 40 - Ensat	856727
HPE RINGSDORFF® R8650 85 x 45 x 50 (LxBxH) mm 2 x M6 - Abstand 40 - Ensat	856727

# Hole Pattern Electrode / Bohrbildelektrode



# Erowa® Clamp Electrode / Erowa® Ansatzelektrode

Vertriebstext / Salestext	Material Nr.
ECE RINGSDORFF® R8510 500 x 50 x 60 (LxBxH) MM Ansatz 30 x 16 tief	880970
ECE RINGSDORFF® R8510 610 x 25 x 30 (LxBxH) MM Ansatz 24,5 x 12 tief	898631
ECE RINGSDORFF® R8510 610 x 25 x 50 (LxBxH) MM Ansatz 24,5 x 12 tief	898651
ECE RINGSDORFF® R8510 610 x 25 x 60 (LxBxH) MM Ansatz 24,5 x 12 tief	898653
ECE RINGSDORFF® R8510 610 x 30 x 30 (LxBxH) MM Ansatz 24,5 x 12 tief	898632
ECE RINGSDORFF® R8510 610 x 30 x 50 (LxBxH) MM Ansatz 24,5 x 12 tief	898652
ECE RINGSDORFF® R8510 610 x 30 x 60 (LxBxH) MM Ansatz 24,5 x 12 tief	898654
ECE RINGSDORFF® R8510 610 x 40 x 30 (LxBxH) MM Ansatz 24,5 x 12 tief	898633
ECE RINGSDORFF® R8510 610 x 40 x 40 (LxBxH) MM Ansatz 24,5 x 12 tief	898638
ECE RINGSDORFF® R8510 610 x 40 x 50 (LxBxH) MM Ansatz 24,5 x 12 tief	903054
ECE RINGSDORFF® R8510 610 x 40 x 60 (LxBxH) MM Ansatz 24,5 x 12 tief	898655
ECE RINGSDORFF® R8510 610 x 50 x 30 (LxBxH) MM Ansatz 24,5 x 12 tief	898634
ECE RINGSDORFF® R8510 610 x 50 x 40 (LxBxH) MM Ansatz 24,5 x 12 tief	898639
ECE RINGSDORFF® R8510 610 x 50 x 60 (LxBxH) MM Ansatz 24,5 x 12 tief	898656
ECE RINGSDORFF® R8510 610 x 50 x 75 (LxBxH) MM Ansatz 24,5 x 12 tief	898658
ECE RINGSDORFF® R8510 610 x 60 x 30 (LxBxH) MM Ansatz 24,5 x 12 tief	898635
ECE RINGSDORFF® R8510 610 x 60 x 40 (LxBxH) MM Ansatz 24,5 x 12 tief	898650
ECE RINGSDORFF® R8510 610 x 60 x 60 (LxBxH) MM Ansatz 24,5 x 12 tief	898657
ECE RINGSDORFF® R8510 610 x 60 x 75 (LxBxH) MM Ansatz 24,5 x 12 tief	898661
ECE RINGSDORFF® R8710 610 x 30 x 50 (LxBxH) MM Ansatz 15 x 12 tief	875965
ECE RINGSDORFF® R8710 610 x 40 x 60 (LxBxH) MM Ansatz 15 x 12 tief	883993
ECE RINGSDORFF® R8710 610 x 50 x 60 (LxBxH) MM Ansatz 20 x 12 tief	874282
ECE RINGSDORFF® R8710 610 x 65 x 60 (LxBxH) MM Ansatz 20 x 12 tief	894382

