

## Description :

This cartridge block cylinder CD can be completely integrated into the mold. Double acting, make mould simple and space saving design. No use of piping reduces the risk of leakage. It is more compact than CDD series.

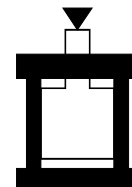
## Design :

- Anti-corrosion treated steel body
- High hardness solid piston rod



Block cylinder **CD**

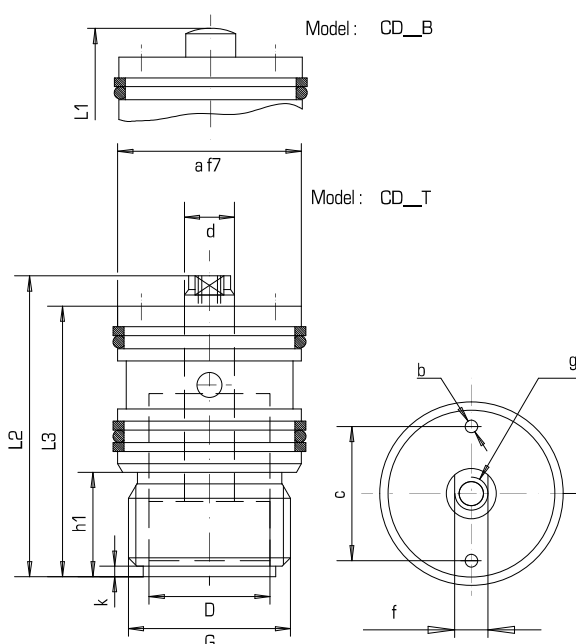
# CD SERIES DIMENSIONS



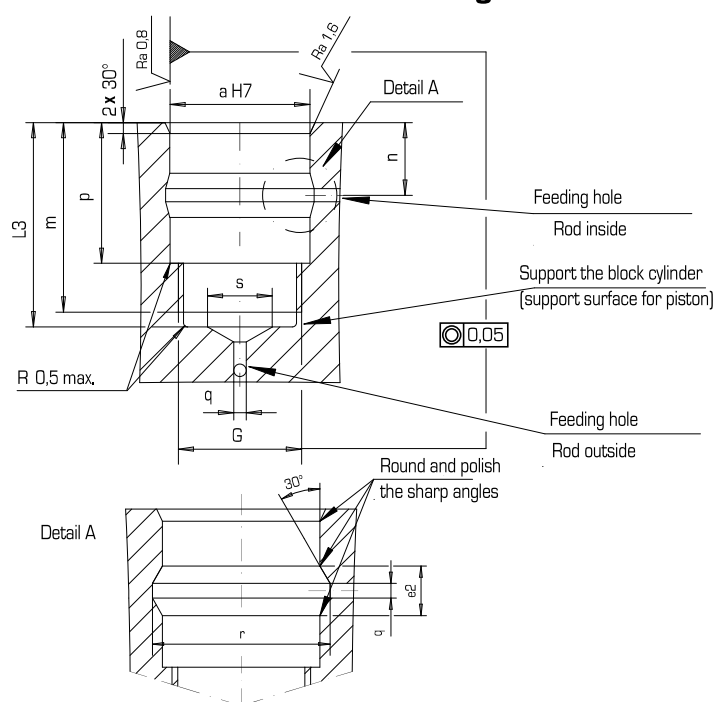
## Features :

- Stroke from 15 to 50 mm
- Assembly by body thread
- Rod end is convex or tapped with flat part
- Ship with O rings and rings anti-extrusion
- Available with with Viton® seals, temperature up to 150°C

## Dimensions :



## Dimensions of holes machining :



- Designation:**
- Rod end is convex (Add B) : CD \_\_ B
  - Rod end is inside thread (Add T) : CD \_\_ T
  - Option Viton® seals (Add V) : CD \_\_ V
  - Small pocket for Nitrile seals (Add PJ) : PJCD \_\_ , Viton : PJCD \_\_ V

TYPE	STROKE mm	WORKING AREA cm <sup>2</sup>	PISTON ø D mm	ROD ø d mm	Dimensions																
					L1	L2	L3	h1	a	b	c	r e2	f	G	g	k max	p +1 0	q	m	n	s
CD 10	15	P : 2.0 T : 1.5	16	8	44	47	41	15	24	3	18	25 5	-	M22x1.5	M5 lg. 10	3	27	3	38	16.5	11
CD 15	20	P : 3.14 T : 2.35	20	10	48	51	44	17	28	4	22	29 5	8	M26x1.5	M6 lg. 12	3	28	3	41	14	15
CD 25	25	P : 4.9 T : 3.4	25	14	56	59	52	19	34	4	28	35 5	11	M32x1.5	M8 lg. 12	4	34	3	48	16	20
CD 40	25	P : 8.0 T : 6.0	32	16	61	64	56	22	42	5	32	43.6 7	13	M40x1.5	M10 lg. 15	4	35	4	52	19	27
CD 65	40	P : 12.5 T : 9.4	40	20	82	85	76.5	30	52	6	40	54 10	17	M50x1.5	M12 lg. 20	5	47	6	71.5	21.5	35
CD 100	40	P : 19.6 T : 14.7	50	25	85	88	77	33	64	8	48	66 10	19	M62x1.5	M16 lg. 22	6	45	6	71	22	45
CD 160	50	P : 31.2 T : 23.2	63	32	99	103	90	40	80	10	62	82 10	24	M78x1.5	M20 lg. 30	6	51	6	84	25	58