

Description :

Block cylinder BDS are particularly used for drawers motion in plastic moulds.
The feeding holes are symmetrical to the key groove.

Design :

- Stroke made on customer's request
- The feeding holes are symmetrical to the key groove
- Key groove position made on customer's request
- Solid body, burnished bore
- Double rod sealing
- Seals available in Nitrile [standard], Viton® [100 °C < T < 150 °C]
- On request : drain plugs, counter-bores, damping, information rod options



Block cylinder **BDS**
without information rod

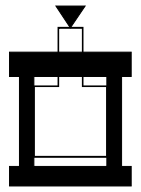


Block cylinder **BDS**
with information rod



Block cylinder **BDS**

BDS SERIES DESIGNATION

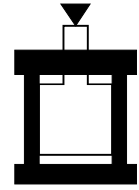


Safety testing pressure: 500 bar
Maximum operating pressure: 350 bar

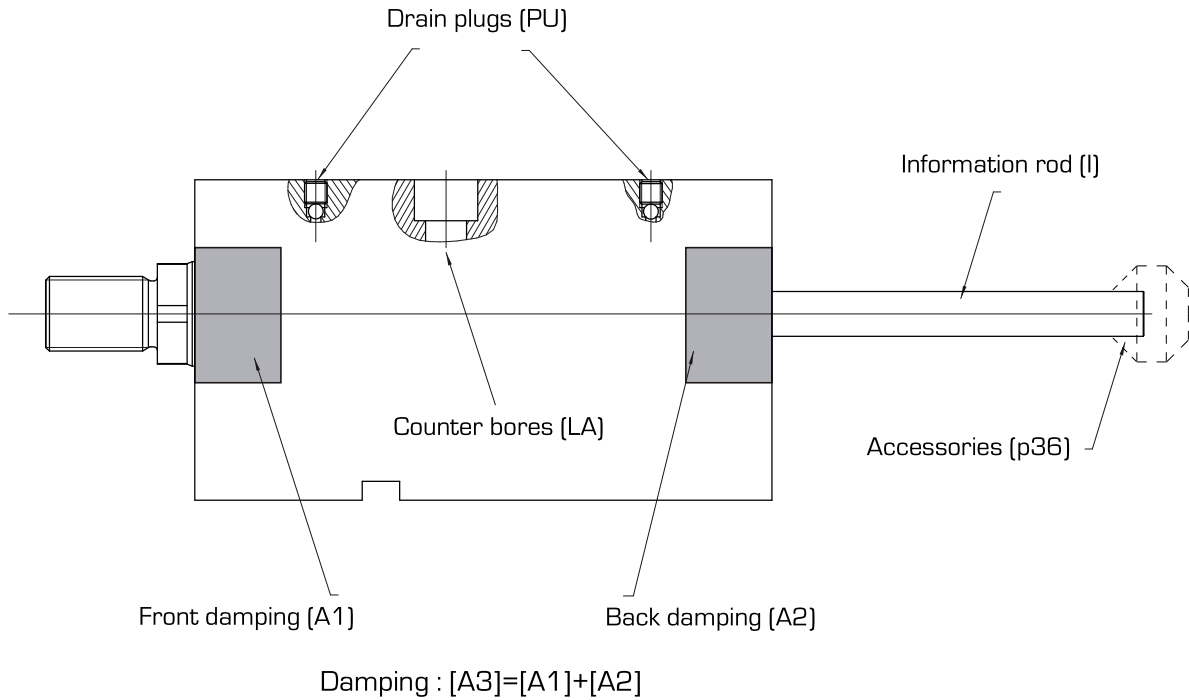
		B	D	S																
TYPE																				
Block cylinder, Double acting, hydraulic return, Symmetrical feeding holes, key groove		BDS																		
PISTON DIAMETER																				
25	32	40	50	63	80	100	125													
STROKE mm																				
Stroke on request		5 - 350																		
SEALS																				
Nitrile seals (T < 100°C)		-																		
Viton® seals (T < 150°C)		V																		
ROD																				
Single rod		-																		
With information rod		I																		
END OF ROD																				
Tapped rod		T																		
Threaded rod		F																		
Tenon rod		TE																		
DAMPING																				
Front damping		A1																		
Back damping		A2																		
Front and back damping		A3																		
DRAIN PLUGS																				
Without		-																		
With		PU																		
COUNTER BORE																				
Mounting holes without counter bore		-																		
Mounting holes with counter bores		LA																		
H=POSITION OF THE KEY GROOVE																				
Dimension H to specify in mm		***																		
Standard		-																		
Special		S																		

Example : BDS 50 - 205 V F H60

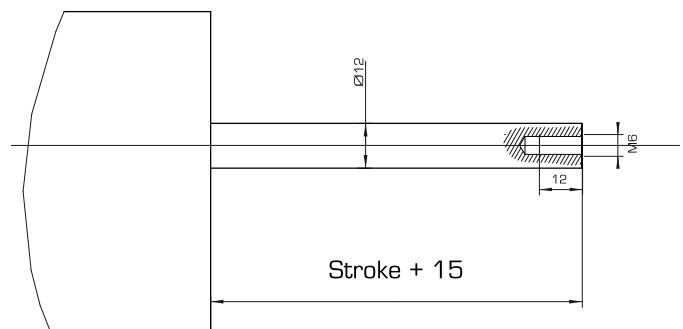
Block cylinder BDS, Double acting, Hydraulic return, Piston diameter 50mm, Stroke 205mm, Viton® seals, Threaded rod, Key groove position (H = 60 mm).



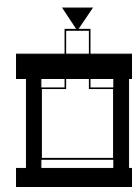
OPTIONAL



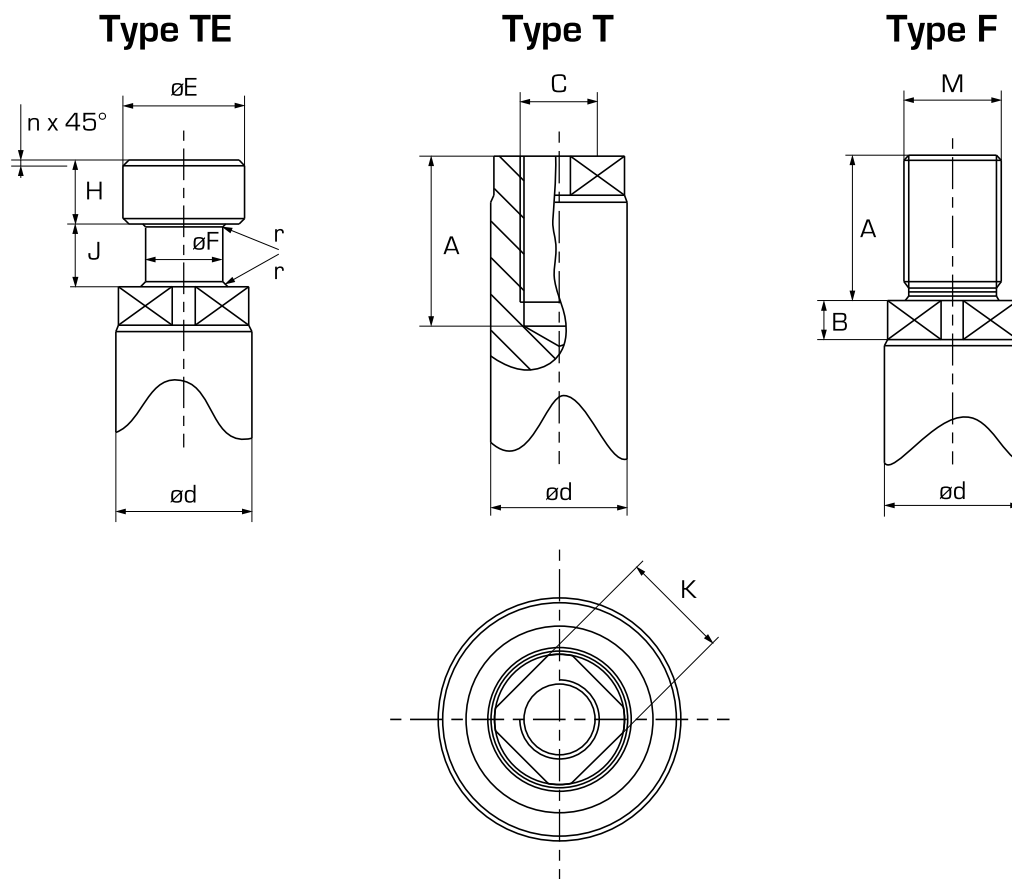
Information rod detail



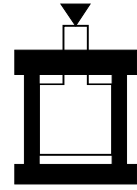
For more information about monitoring cams please see page 36



ROD ENDS FOR BDS SERIES

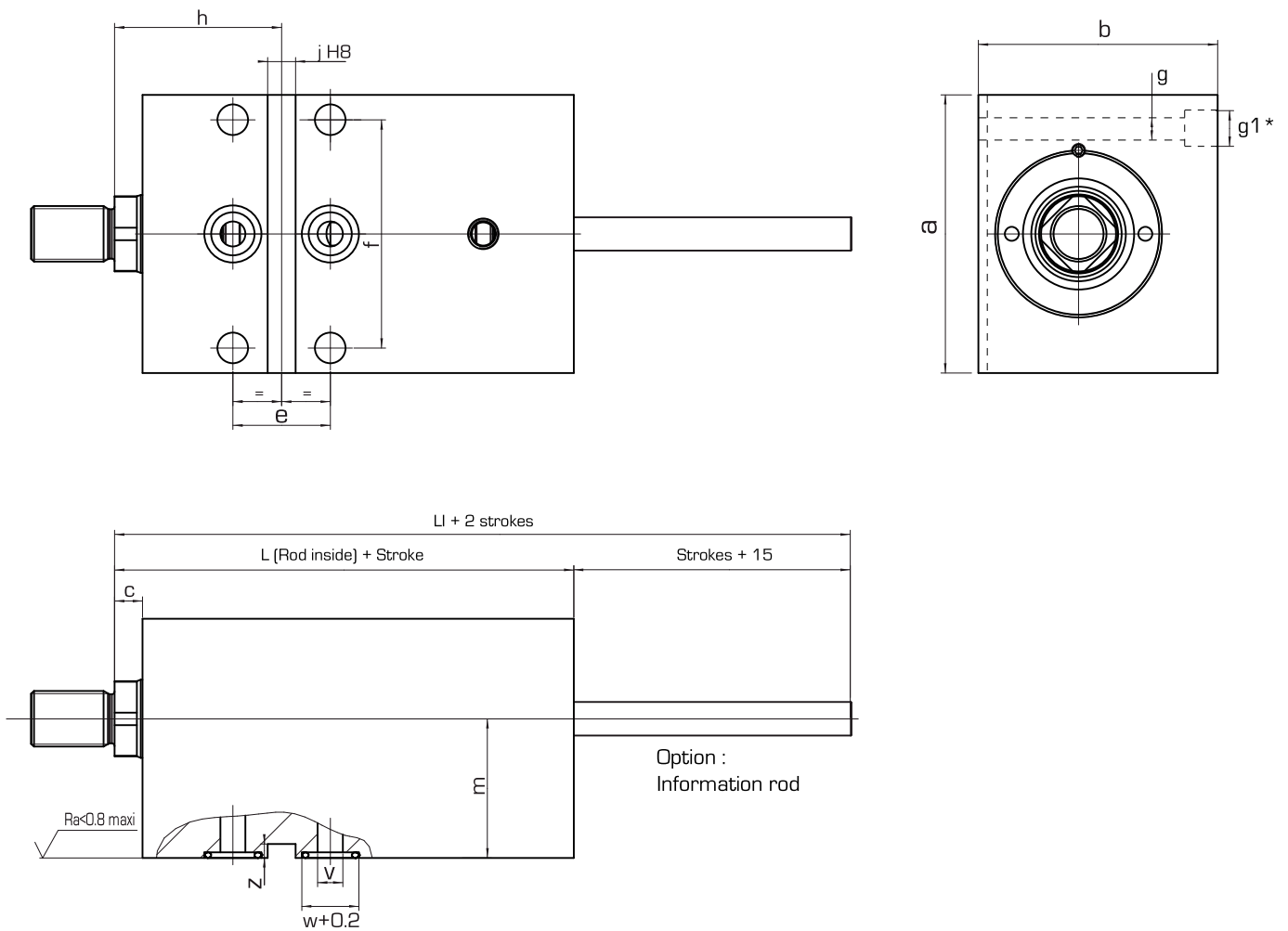


TYPE		BDS 25	BDS 32	BDS 40	BDS 50	BDS 63	BDS 80	BDS 100	BDS 125
Ød	(mm)	16	18	22	28	36	45	56	70
A	(mm)	20	20	25	30	40	50	60	70
B	(mm)	5	6	8	8	10	12	12	13
C	(mm)	M8x125	M8x125	M10x150	M16x150	M20x150	M27x200	M33x200	M42x200
E	(mm)	14	16	20	25	33	42	53	67
F	(mm)	8	10	13	16	22	30	36	46
H h13	(mm)	6	8	10	13	16	20	30	30
J H11	(mm)	6	8	10	13	16	20	30	30
M	(mm)	M12x125	M12x125	M16x150	M20x150	M27x200	M33x200	M42x200	M52x200
K	(mm)	12	14	17	22	30	36	46	60
n	(mm)	0.5	1	1	1	2	2	2	2
r	(mm)	1	1	1	1	2	2	2	2



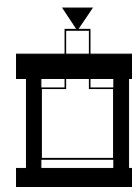
BDS SERIES :

- Stroke made on customer's request
- The feeding holes are symmetrical to the key groove
- Key groove position made on customer's request



* Optional : LA

BDS SERIES DIMENSIONS



BDS SERIES :

TYPE		BDS25	BDS32	BDS40	BDS50	BDS63	BDS80	BDS100	BDS125
Piston	[mm]	25	32	40	50	63	80	100	125
Rod	[mm]	16	18	22	28	36	45	56	70
Pushing force for 100 bar	kN	4.9	8.0	12.5	19.6	31.1	50.2	78.5	122.6
Pulling force for 100 bar	kN	2.8	5.5	8.7	13.4	21	34.3	53.8	84.1
a	[mm]	60	75	90	100	120	150	170	200
b	[mm]	50	66	76	86	106	130	155	182
c	[mm]	7	8	10	10	12	14	14	15
e	[mm]	23	29	34	35	42	44	48	56
f	[mm]	46	62	72	82	98	126	146	170
g	[mm]	6.5	9	11	11	13	13	15	17
g1×depth	[mm]	Ø11x6.5	Ø14x9	Ø17x11	Ø17x11	Ø19x13	Ø19x13	Ø22x15	Ø25x17
h mini	[mm]	43	53	60	60	72	76	87	97
h maxi	[mm]	h mini + Course							
j H8	[mm]	6	8	8	10	12	16	16	20
L	[mm]	73	90	105	105	130	139	154	180
L1 (A1 damping)	[mm]	89	102	112	126	142	166	-	-
L2 (A2 damping)	[mm]	86	98	113	130	141	164	-	-
L3 (A1+A2 damping)	[mm]	102	116	130	151	163	190	-	-
LI	[mm]	88	105	120	120	145	154	169	195
m	[mm]	26	38	45	50	60	70	85	100
v	[mm]	5	8	10	10	12	14	14	14
w×depth	[mm]	Ø12.7x1.4	Ø15.9x1.4	Ø20.5x2	Ø20.5x2	Ø22.3x2	Ø23.8x2	Ø23.8x2	Ø23.8x2
z	[mm]	4	5	5	5	5	5	5	5
Seals dimension	[mm]	9.25x1.78	12.42x1.78	15.54x2.62	15.54x2.62	17.12x2.62	18.72x2.62	18.72x2.62	18.72x2.62

Seals kits are available on stock.