

## Description :

QUIRI BDD compact block cylinders are used for applications of clamping or motion in plastic moulds.

## Design :

- Standard key groove on BDD [ Except model P, F2, F3 ]
- Double rod sealing
- Solid body, burnished bore
- Solid piston rod, in hardened steel for high durability
- Special strokes can be made on customers request, contact us.
- Information rod for position monitoring on request, contact us



**Standard model**  
Cross holes mounting  
BSPP oil ports on the right



**DG model**  
Cross holes mounting  
BSPP oil ports



**P model**  
Axial mounting holes  
BSPP oil ports



**AD model**  
Cross holes mounting  
BSPP oil ports on the top right side



**AG model**  
Cross holes mounting  
BSPP oil ports on the top left side



**F1 model**  
Cross mounting holes  
Under feeding with o-rings

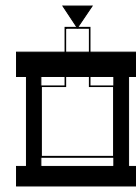


**F2 model**  
Axial mounting holes  
Front feeding with o-rings



**F3 model**  
Axial mounting holes  
Bottom feeding with o-rings

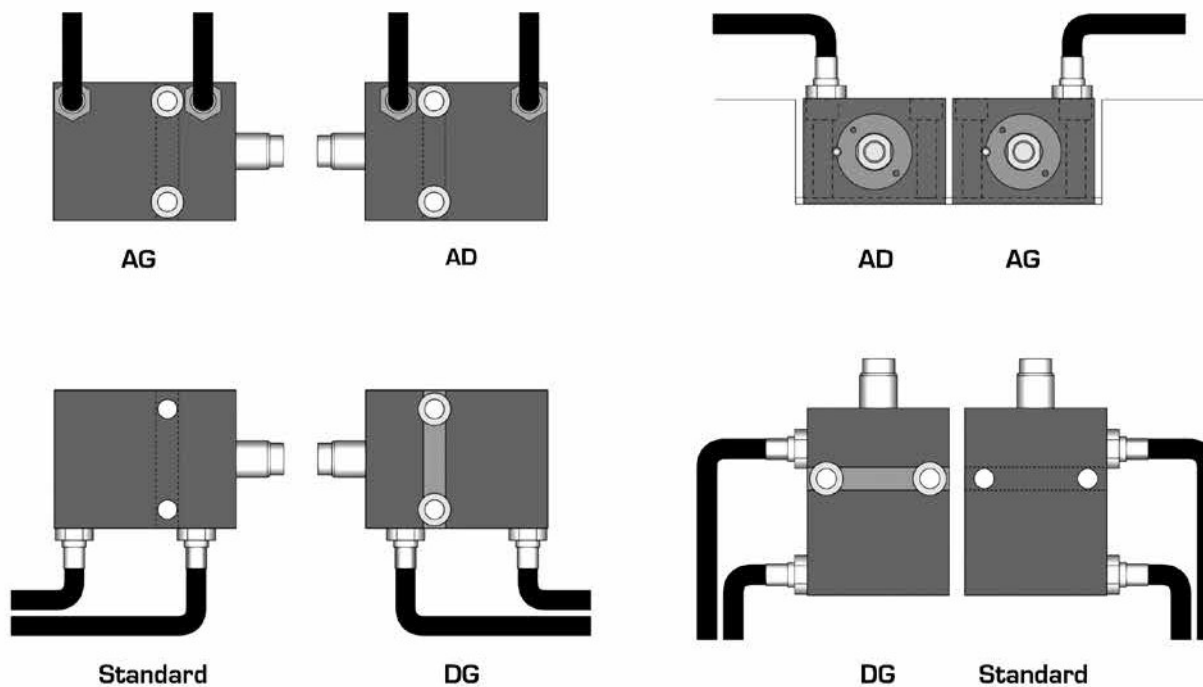
# BDD BLOCK CYLINDERS



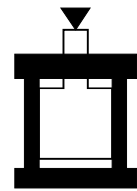
The new **DG, AD, AG** models  
**For more compact moulds**



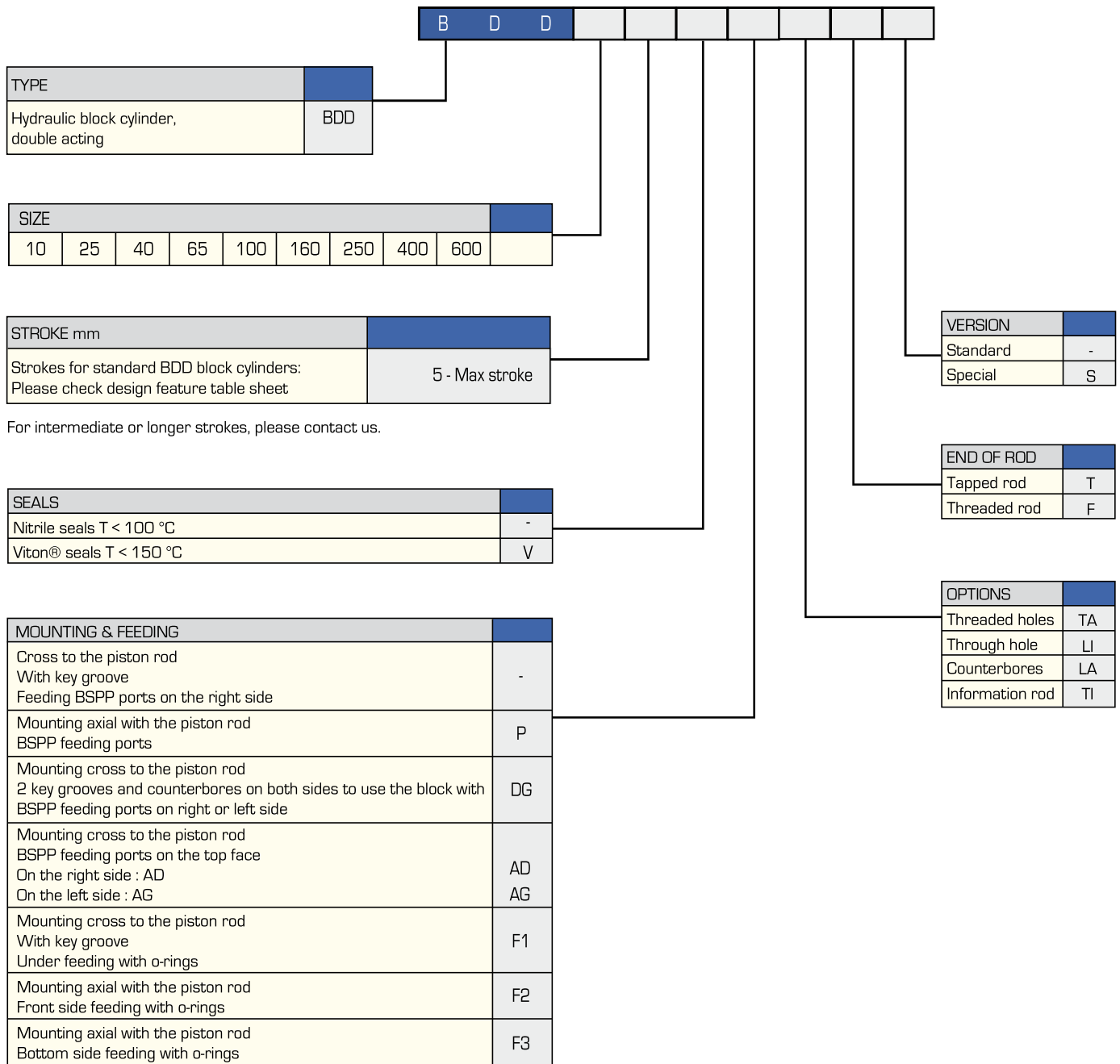
## Mounting examples



# BDD SERIES DESIGNATION

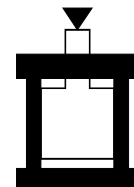


Safety testing pressure: 500 bar  
Maximum operating pressure: 350 bar



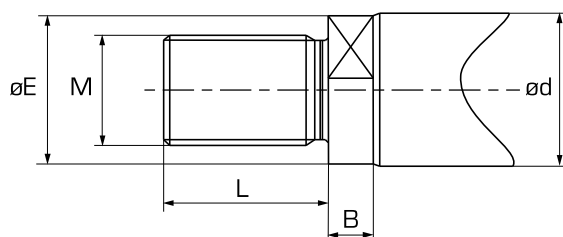
### Example : BDD 100-25 V P T

Block cylinder, Double acting, Hydraulic return, Max force 68KN, Bore diameter 50mm, Stroke 25mm, Viton® seals, Mounting axial with the piston rod , Inside thread rod end.

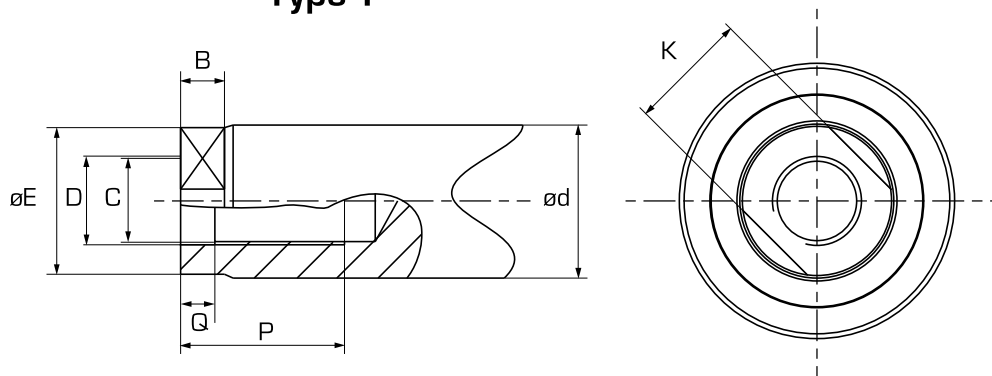


## ROD ENDS FOR BDD SERIES

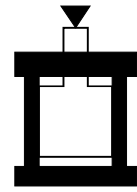
### Type F



### Type T



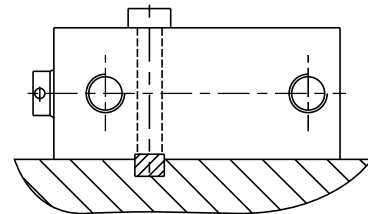
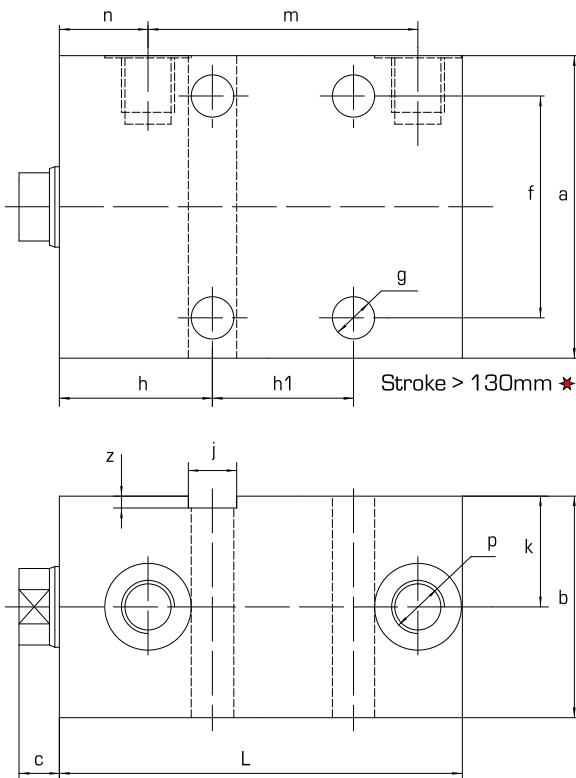
TYPE		BDD10	BDD25	BDD40	BDD65	BDD100	BDD160	BDD250	BDD400	BDD600
Ød	[mm]	10	16	20	25	32	40	50	63	80
B	[mm]	4.5	5.8	7.5	8.5	9	12.2	12	12	13
C	[mm]	M6x1	M10x1.5	M12x1.75	M16x2	M20x2.5	M27x3	M30x3.5	M42x4.5	M48x5
ØE	[mm]	9.2	15.2	19	24	31	39	49	61.5	78
K	[mm]	8	13	17	22	27	36	46	55	70
L	[mm]	14	18	22	28	36	45	52	60	64
M	[mm]	M8x1	M14x1.5	M16x1.5	M20x1.5	M27x2	M33x2	M39x2	M45x2	M52x2
P	[mm]	15	18	18	25	30	40	40	60	70
ØD	[mm]	6.3	10.5	12.5	16.5	21	28	31	43	49
Q	[mm]	3	4	4	7	7	10	10	10	10



## BDD SERIES MODEL STANDARD :

Double acting block cylinders with BSPP oil ports.  
Cross mounting holes  
Key groove  
Feeding ports on the right side.

## Example of mounting



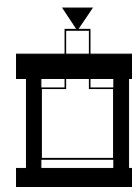
**Note** :  
\* For strokes  $\leq 130\text{mm}$ , 2 fixing holes.  
\* For strokes  $> 130\text{mm}$ , 4 fixing holes.

2 M12 handling holes for a weight  $> 15\text{ kg}$ .

**Option** : Information rod **(TI)** for position monitoring on request ; please contact us.

Fixing can be with through holes **(LI)**, through holes with counterbores **(LA)** or threaded holes **(TA)**.

# BDD SERIES DIMENSIONS



## BDD SERIES MODEL STANDARD :

TYPE		BDD10	BDD25	BDD40	BDD65	BDD100	BDD160	BDD250	BDD400	BDD600
Piston	[mm]	16	25	32	40	50	63	80	100	125
Rod	[mm]	10	16	20	25	32	40	50	63	80
Pushing force at 100 bar	kN	2.0	4.9	8.0	12.5	19.6	31.1	50.2	78.5	122.7
Pulling force at 100 bar	kN	1.2	2.9	4.9	7.7	11.6	18.6	30.6	47.4	72.4
a	[mm]	60	65	75	85	100	125	160	200	230
b	[mm]	35	45	55	63	75	95	120	150	180
c	[mm]	6	7	10	10	10	14	14	15	16
f	[mm]	30	50	55	63	76	95	120	158	180
g	[mm]	6.5	8.5	10.5	10.5	13	17	21	25	32
h	[mm]	30	33	38	40	44	50	60	64	82
j	[mm]	8	10	12	12	16	20	24	28	35
k	[mm]	17.5	22.5	27.5	31.5	37.5	47.5	60	75	90
n	[mm]	16.5	18	22	24	27	26	34	35	47
p		G1/4	G1/4	G1/4	G1/4	G1/4	G1/2	G1/2	G1/2	G1/2
z	[mm]	2	2	3	3	5	5	7	7	7

### Double acting BDD : Stroke ≤ 130 mm

Body length L	[mm]	*	44+Stroke	50+Stroke	54+Stroke	65+Stroke	72+Stroke	85+Stroke	90+Stroke	110+Stroke
Filling holes spacing	[mm]	*	15+Stroke	17+Stroke	19+Stroke	25+Stroke	29+Stroke	30+Stroke	30+Stroke	32+Stroke

### Double acting BDD : Stroke > 130 mm

Body length L	[mm]	-	58.5+Stroke	66+Stroke	70+Stroke	86+Stroke	90+Stroke	106+Stroke	108+Stroke	137+Stroke
m	[mm]	-	18+Stroke	20+Stroke	22+Stroke	28+Stroke	33+Stroke	34+Stroke	34+Stroke	36+Stroke
h1	[mm]	-	Stroke - 12	Stroke - 12	Stroke - 10	Stroke - 6	Stroke - 15	Stroke - 18	Stroke - 24	Stroke - 34
Maximum stroke	[mm]	-	200	250	300	350	350	400	400	400

### Standard strokes (except BDD 10):

5 by 5 mm from 10 to 50 mm

10 by 10 mm from 60 mm to maximum stroke

### Special standard strokes :

BDD 10.16

BDD 160.63

BDD 250.32

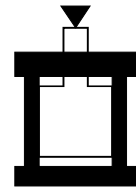
### \* Exceptions for BDD 10 :

Type	Body length L	m [mm]
BDD 10.16	56	12.5 + Course
BDD 10.50	91	13.5 + Course
BDD 10.100	144	16.5 + Course

For special strokes, please contact us.

Seals kits are available on stock.

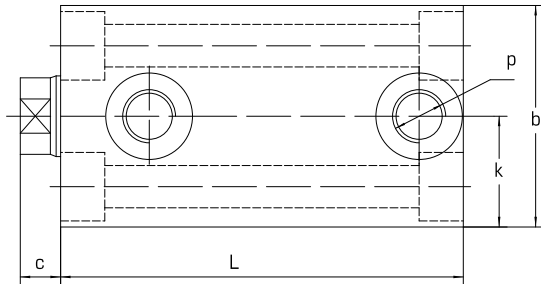
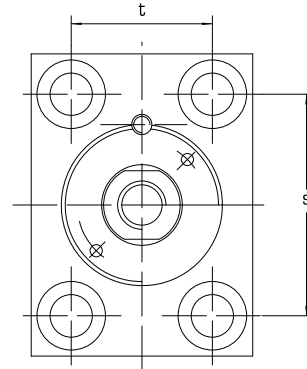
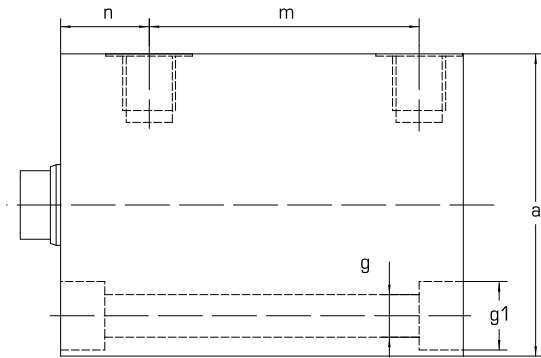
CAD drawings downloadable on [www.quiri.com](http://www.quiri.com)



## BDD SERIES MODEL P :

Double acting block cylinder with BSPP oil ports.

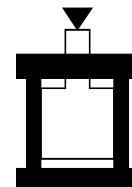
Axial mounting holes in the straight with the rod, with counter bore or threads.



**Note :** \* For strokes > 130mm, there are 4 threads on both sides instead of holes with counter bores.  
2 M12 handling holes for a weight > 15 kg.

**Option :** Information rod **(TI)** for position monitoring on request ; please contact us.

# BDD SERIES DIMENSIONS



## BDD SERIES MODEL P :

TYPE		BDD10	BDD25	BDD40	BDD65	BDD100	BDD160	BDD250	BDD400	BDD600
Piston	(mm)	16	25	32	40	50	63	80	100	125
Rod	(mm)	10	16	20	25	32	40	50	63	80
Pushing force at 100 bar	kN	2.0	4.9	8.0	12.5	19.6	31.1	50.2	78.5	122.7
Pulling force at 100 bar	kN	1.2	2.9	4.9	7.7	11.6	18.6	30.6	47.4	72.4
a	(mm)	60	65	75	85	100	125	160	200	230
b	(mm)	35	45	55	63	75	95	120	150	180
c	(mm)	6	7	10	10	10	14	14	15	16
g	(mm)	6.5	8.5	10.5	10.5	13	17	21	25	32
g1 x depth	(mm)	∅ 11x6.5	∅ 14x9	∅ 17x11	∅ 17x11	∅ 20x13	∅ 25x17	∅ 32x21	∅ 38x25	∅ 47x30.5
k	(mm)	17.5	22.5	27.5	31.5	37.5	47.5	60	75	90
n	(mm)	16.5	18	22	24	27	26	34	35	47
p		G1/4	G1/4	G1/4	G1/4	G1/4	G1/2	G1/2	G1/2	G1/2
s	(mm)	40	50	55	63	76	95	120	158	180
t	(mm)	22	30	35	40	45	65	80	108	130

### Double acting BDD : Stroke ≤ 130 mm

Body length L	(mm)	*	44+Stroke	50+Stroke	54+Stroke	65+Stroke	72+Stroke	85+Stroke	90+Stroke	110+Stroke
Filling holes spacing	(mm)	*	15+Stroke	17+Stroke	19+Stroke	25+Stroke	29+Stroke	30+Stroke	30+Stroke	32+Stroke

### Double acting BDD : Stroke >130 mm

Body length L	(mm)	-	58.5+Stroke	66+Stroke	70+Stroke	86+Stroke	90+Stroke	106+Stroke	108+Stroke	137+Stroke
m	(mm)	-	18+Stroke	20+Stroke	22+Stroke	28+Stroke	33+Stroke	34+Stroke	34+Stroke	36+Stroke
h1	(mm)	-	Stroke - 12	Stroke - 12	Stroke - 10	Stroke - 6	Stroke - 15	Stroke - 18	Stroke - 24	Stroke - 34
Maximum stroke	(mm)	-	200	250	300	350	350	400	400	400

### Standard strokes (except BDD 10):

5 by 5 mm from 10 to 50 mm

10 by 10 mm from 60 mm to maximum stroke

### Special standard strokes :

BDD 10.16

BDD 160.63

BDD 250.32

### \* Exceptions for BDD 10 :

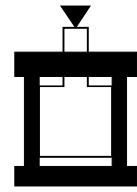
Type	Body length L	m (mm)
BDD 10.16	56	12.5 + Course
BDD 10.50	91	13.5 + Course
BDD 10.100	144	16.5 + Course

For special strokes, please contact us.

Seals kits are available on stock.

CAD drawings downloadable on [www.quiri.com](http://www.quiri.com)



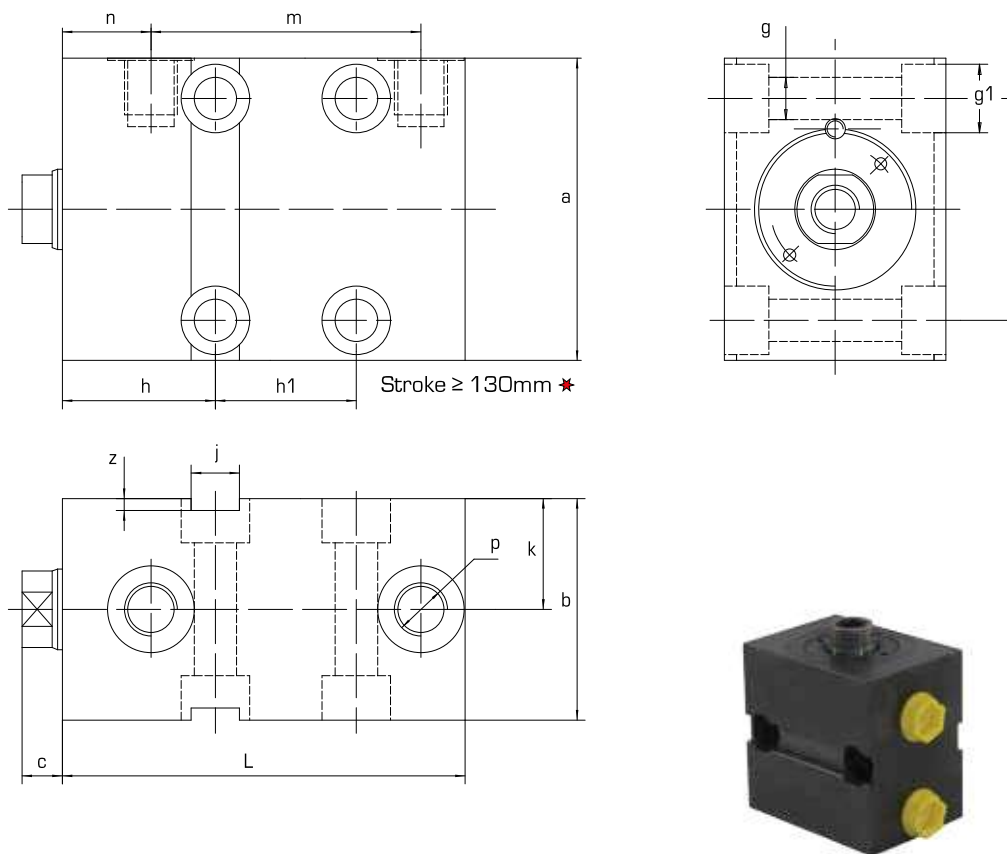


## BDD SERIE MODEL DG :

Double acting block cylinder with BSPP oil ports.

Cross mounting holes with counter bore.

Key grooves and counterbores on both side to connect the cylinder by the right or the left side by flipping it.



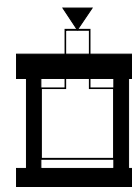
**Note :** \* For strokes  $\leq 130\text{mm}$ , 2 fixing holes.

\* For strokes  $> 130\text{mm}$ , 4 fixing holes.

2 handling holes for a weight  $> 15\text{ kg}$ .

**Option :** Information rod **(TI)** for position monitoring on request ; please contact us.  
Inside thread on fixing holes **(TA)**

# BDD SERIES DIMENSIONS



## BDD SERIES MODEL DG :

TYPE		BDD10	BDD25	BDD40	BDD65	BDD100	BDD160	BDD250	BDD400	BDD600
Piston	[mm]	16	25	32	40	50	63	80	100	125
Rod	[mm]	10	16	20	25	32	40	50	63	80
Pushing force at 100 bar	kN	2.0	4.9	8.0	12.5	19.6	31.1	50.2	78.5	122.7
Pulling force at 100 bar	kN	1.2	2.9	4.9	7.7	11.6	18.6	30.6	47.4	72.4
a	[mm]	60	65	75	85	100	125	160	200	230
b	[mm]	35	45	55	63	75	95	120	150	180
c	[mm]	6	7	10	10	10	14	14	15	16
f	[mm]	30	50	55	63	76	95	120	158	180
g	[mm]	6.5	8.5	10.5	10.5	13	17	21	25	32
g1×depth	[mm]	∅ 11x6.5	∅ 14x9	∅ 17x11	∅ 17x11	∅ 20x13	∅ 25x17	∅ 32x21	∅ 38x25	∅ 47x30.5
h	[mm]	30	33	38	40	44	50	60	64	82
j	[mm]	8	10	12	12	16	20	24	28	35
k	[mm]	17.5	22.5	27.5	31.5	37.5	47.5	60	75	90
n	[mm]	16.5	18	22	24	27	26	34	35	47
p		G1/4	G1/4	G1/4	G1/4	G1/4	G1/2	G1/2	G1/2	G1/2
z	[mm]	2	2	3	3	5	5	7	7	7

### Double acting BDD : Stroke ≤ 130 mm

Body length L	[mm]	*	44+Stroke	50+Stroke	54+Stroke	65+Stroke	72+Stroke	85+Stroke	90+Stroke	110+Stroke
Filling holes spacing	[mm]		15+Stroke	17+Stroke	19+Stroke	25+Stroke	29+Stroke	30+Stroke	30+Stroke	32+Stroke

### Double acting BDD : Stroke > 130 mm

Body length L	[mm]	-	58.5+Stroke	66+Stroke	70+Stroke	86+Stroke	90+Stroke	106+Stroke	108+Stroke	137+Stroke
m	[mm]	-	18+Stroke	20+Stroke	22+Stroke	28+Stroke	33+Stroke	34+Stroke	34+Stroke	36+Stroke
h1	[mm]	-	Stroke - 12	Stroke - 12	Stroke - 10	Stroke - 6	Stroke - 15	Stroke - 18	Stroke - 24	Stroke - 34
Maximum stroke	[mm]	-	200	250	300	350	350	400	400	400

### Standard strokes (except BDD 10):

5 by 5 mm from 10 to 50 mm

10 by 10 mm from 60 mm to maximum stroke

### Special standard strokes :

BDD 10.16

BDD 160.63

BDD 250.32

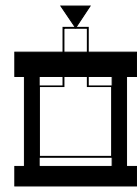
### \* Exceptions for BDD 10 :

Type	Body length L	m [mm]
BDD 10.16	56	12.5 + Course
BDD 10.50	91	13.5 + Course
BDD 10.100	144	16.5 + Course

For special strokes, please contact us.

Seals kits are available on stock.

CAD drawings downloadable on [www.quiri.com](http://www.quiri.com)



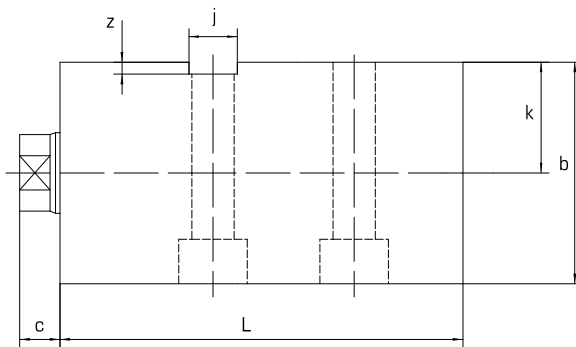
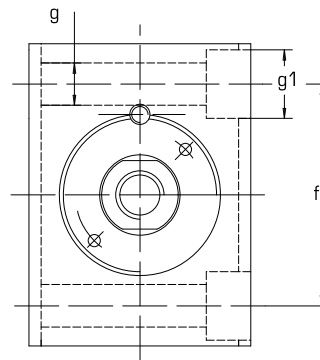
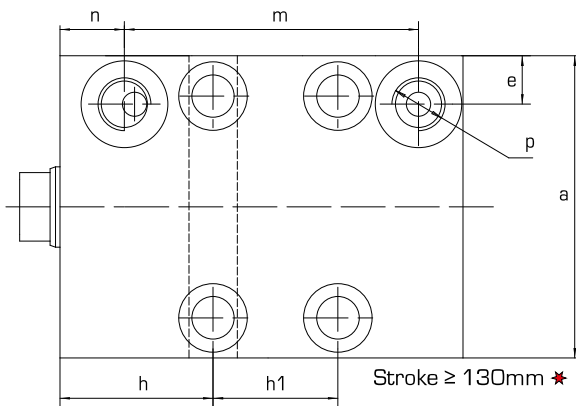
## BDD SERIES MODEL AD/AG :

Double acting block cylinder with threaded feeding ports :

On the right to the axe = **BDD model AD**

On the left to the axe = **BDD model AG**

Cross mounting holes with counter bore.



**AD model**



**AG model**

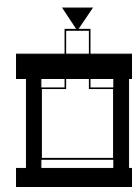
**Note :** \* For strokes  $\leq 130\text{mm}$ , 2 fixing holes.

\* For strokes  $> 130\text{mm}$ , 4 fixing holes.

2 M12 handling M12holes for a weight  $> 15\text{ kg}$ .

**Option :** Information rod **(TI)** for position monitoring on request ; please contact us.  
Inside thread on fixing holes **(TA)**

# BDD SERIES DIMENSIONS



## BDD SERIES MODEL AD/AG :

TYPE		BDD10	BDD25	BDD40	BDD65	BDD100	BDD160	BDD250	BDD400	BDD600
Piston	[mm]	16	25	32	40	50	63	80	100	125
Rod	[mm]	10	16	20	25	32	40	50	63	80
Pushing force at 100 bar	kN	2.0	4.9	8.0	12.5	19.6	31.1	50.2	78.5	122.7
Pulling force at 100 bar	kN	1.2	2.9	4.9	7.7	11.6	18.6	30.6	47.4	72.4
a	[mm]	60	65	75	85	100	125	160	200	230
b	[mm]	35	45	55	63	75	95	120	150	180
c	[mm]	6	7	10	10	10	14	14	15	16
e	[mm]	11	10.5	12	12	12	17.5	17.5	20	20
f	[mm]	30	50	55	63	76	95	120	158	180
g	[mm]	6.5	8.5	10.5	10.5	13	17	21	25	32
g1×depth	[mm]	∅ 11x6.5	∅ 14x9	∅ 17x11	∅ 17x11	∅ 20x13	∅ 25x17	∅ 32x21	∅ 38x25	∅ 47x30.5
h	[mm]	30	33	38	40	44	50	60	64	82
j	[mm]	8	10	12	12	16	20	24	28	35
k	[mm]	17.5	22.5	27.5	31.5	37.5	47.5	60	75	90
n	[mm]	15	16	16.2	20	21.5	19.5	26	27	40.5
p		G1/8	G1/8	G1/4	G1/4	G1/4	G1/2	G1/2	G1/2	G1/2
z	[mm]	2	2	3	3	5	5	7	7	7

Double acting BDD : Stroke ≤ 130 mm

Body length L	[mm]	*	44+Stroke	50+Stroke	54+Stroke	65+Stroke	72+Stroke	85+Stroke	90+Stroke	110+Stroke
Filling holes spacing	[mm]		17.5+Stroke	22.8+Stroke	23+Stroke	30.5+Stroke	35.5+Stroke	38+Stroke	38+Stroke	38.5+Stroke

Double acting BDD : Stroke > 130 mm

Body length L	[mm]	-	58.5+Stroke	66+Stroke	70+Stroke	86+Stroke	90+Stroke	106+Stroke	108+Stroke	137+Stroke
m	[mm]	-	20.5+Stroke	25.8+Stroke	26+Stroke	33.5+Stroke	39.5+Stroke	42+Stroke	42+Stroke	42.5+Stroke
h1	[mm]	-	Stroke - 14	Stroke - 19	Stroke - 18.5	Stroke - 13.5	Stroke - 22.5	Stroke - 28	Stroke - 32	Ask
Maximum stroke	[mm]	-	200	250	300	350	350	400	400	400

### Standard strokes (except BDD 10):

5 by 5 mm from 10 to 50 mm

10 by 10 mm from 60 mm to maximum stroke

### Special standard strokes :

BDD 10.16

BDD 160.63

BDD 250.32

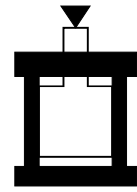
### \* Exceptions for BDD 10 :

Type	Body length L	m [mm]
BDD 10.16	56	14.5 + Stroke
BDD 10.50	91	15.5 + Stroke
BDD 10.100	144	18.5 + Stroke

For special strokes, please contact us.

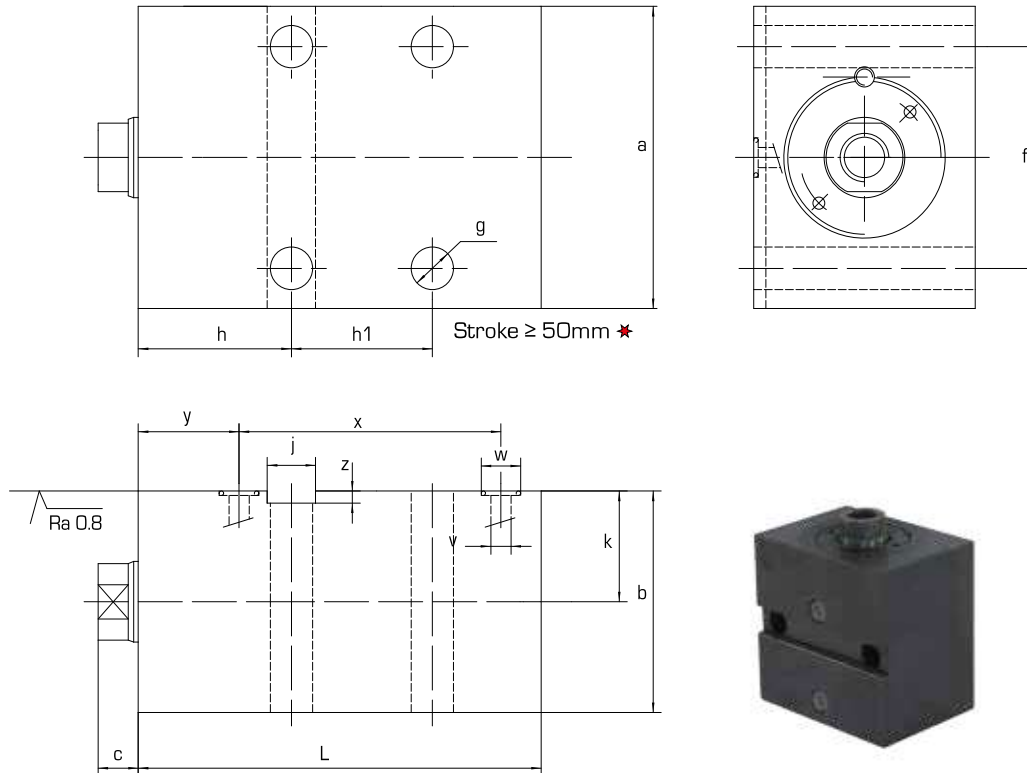
Seals kits are available on stock.

CAD drawings downloadable on [www.quiri.com](http://www.quiri.com)



## BDD SERIES MODEL F1 :

Double acting block cylinder with under side feeding.  
Cross mounting holes.



**Note :** \* For strokes  $\leq 130$ mm, 2 fixing holes.

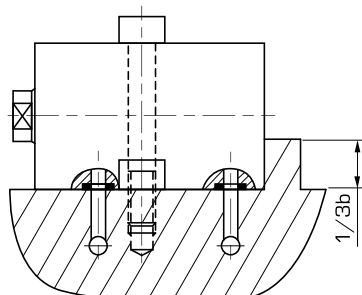
\* For strokes  $> 130$ mm, 4 fixing holes.

2 M12 handling holes for a weight  $> 15$  kg.

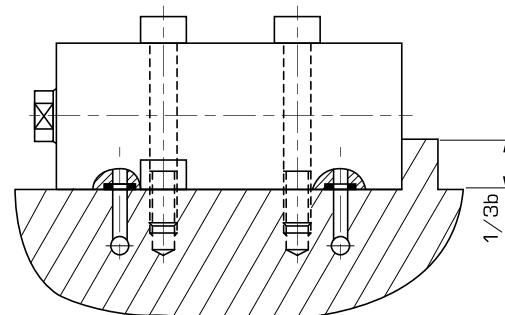
**Option :** Information rod **(TI)** for position monitoring on request ; please contact us.  
Inside thread on fixing holes **(TA)**

## Mounting example with key or stop

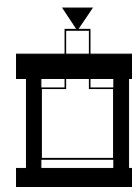
Short strokes :  $< 50$ mm



Long strokes :  $\geq 50$ mm



# BDD SERIES DIMENSIONS



## BDD SERIES MODEL F1 :

TYPE		BDD10	BDD25	BDD40	BDD65	BDD100	BDD160	BDD250	BDD400	BDD600
Piston	[mm]	16	25	32	40	50	63	80	100	125
Rod	[mm]	10	16	20	25	32	40	50	63	80
Pushing force at 100 bar	kN	2.0	4.9	8.0	12.5	19.6	31.1	50.2	78.5	122.7
Pulling force at 100 bar	kN	1.2	2.9	4.9	7.7	11.6	18.6	30.6	47.4	72.4
a	[mm]	60	65	75	85	100	125	160	200	230
b	[mm]	35	45	55	63	75	95	120	150	180
c	[mm]	6	7	10	10	10	14	14	15	16
f	[mm]	30	50	55	63	76	95	120	158	180
g	[mm]	6.5	8.5	10.5	10.5	13	17	21	25	32
h	[mm]	30	33	38	40	44	50	60	64	82
j	[mm]	8	10	12	12	16	20	24	28	35
k	[mm]	17.5	22.5	27.5	31.5	37.5	47.5	60	75	90
øv	[mm]	3.5	4	5	6	6	8	8	8	8
øw×depth	[mm]	9.8x1.1	9.8x1.1	9.8x1.1	9.8x1.1	10.8x1.1	13.8x1.5	13.8x1.5	13.8x1.5	13.8x1.5
y	[mm]	20.5	21	25	27	29.5	32	39	40	47
z	[mm]	2	2	3	3	5	5	7	7	7
Seals dimension	[mm]	7x1.5	7x1.5	7x1.5	7x1.5	8x1.5	10x2	10x2	10x2	10x2

**Note :** Block cylinders supplied with O seals.

Double acting BDD : Stroke ≤ 130 mm

Body length L	[mm]		44+Stroke	50+Stroke	54+Stroke	65+Stroke	72+Stroke	85+Stroke	90+Stroke	110+Stroke
X	[mm]	*	15,5+Stroke	15+Stroke	17+Stroke	22,5+Stroke	24+Stroke	25+Stroke	25+Stroke	32+Stroke
h1 [Stroke 50 to 130]	[mm]		Stroke - 15	Stroke - 15	Stroke - 13	Stroke - 9	Stroke - 19	Stroke - 22	Stroke - 28	Stroke - 38

Double acting BDD : Stroke >130 mm

Body length L	[mm]		58,5+Stroke	66+Stroke	70+Stroke	86+Stroke	90+Stroke	106+Stroke	108+Stroke	137+Stroke
X	[mm]	-	18,5+Stroke	18+Stroke	20+Stroke	25,5+Stroke	28+Stroke	29+Stroke	29+Stroke	36+Stroke
h1 [Stroke 131 to max]	[mm]	-	Stroke - 12	Stroke - 12	Stroke - 10	Stroke - 6	Stroke - 15	Stroke - 18	Stroke - 24	Stroke - 34
Maximum to stroke	[mm]	-	200	250	300	350	350	400	400	400

### Standard strokes (except BDD 10):

5 by 5 mm from 10 to 50 mm

10 by 10 mm from 60 mm to maximum stroke

### Special standard strokes :

BDD 10.16

BDD 160.63

BDD 250.32

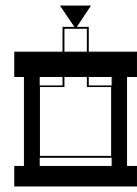
### \* Exceptions for BDD 10 :

Type	Body length L [mm]	X [mm]	h1 [mm]
BDD 10.16	56	12.5 + Stroke	-
BDD 10.50	91	13.5 + Stroke	Stroke - 13.5
BDD 10.100	144	16.5 + Stroke	Stroke - 10.5

For special strokes, please contact us.

Seals kits are available on stock.

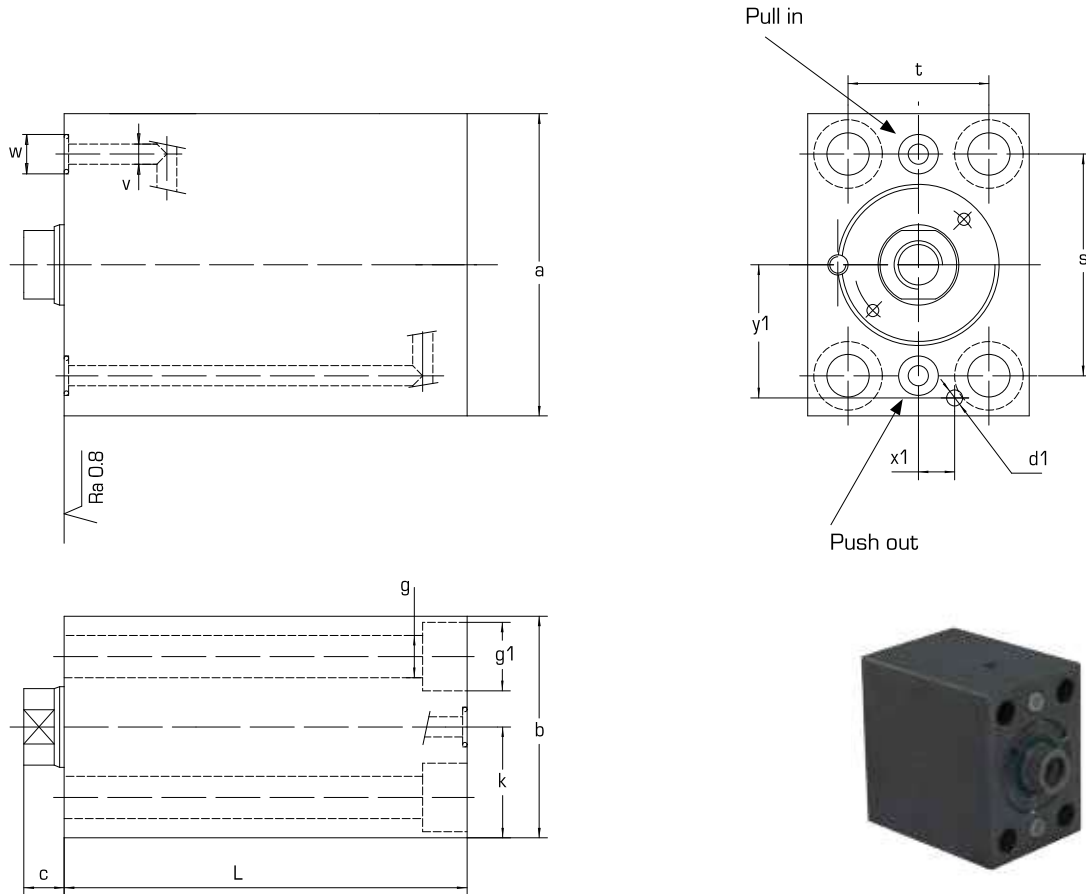
CAD drawings downloadable on [www.quiri.com](http://www.quiri.com)



## BDD SERIES OPTION F2 :

Double acting block cylinder with top feeding.

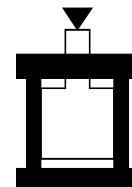
Fixing holes in the straight with the rod with counter bores or threads



**Note :** \* For strokes > 130mm, there are 4 threads on both sides instead of holes with counter bores.  
2 M12 handling holes for a weight > 15 kg.

**Option :** Information rod **(TI)** for position monitoring on request ; please contact us.

# BDD SERIES DIMENSIONS



## BDD SERIES MODEL F2 :

TYPE		BDD10	BDD25	BDD40	BDD65	BDD100	BDD160	BDD250	BDD400	BDD600
Piston	[mm]	16	25	32	40	50	63	80	100	125
Rod	[mm]	10	16	20	25	32	40	50	63	80
Pushing force at 100 bar	kN	2.0	4.9	8.0	12.5	19.6	31.1	50.2	78.5	122.7
Pulling force at 100 bar	kN	1.2	2.9	4.9	7.7	11.6	18.6	30.6	47.4	72.4
a	[mm]	60	65	75	85	100	125	160	200	230
b	[mm]	35	45	55	63	75	95	120	150	180
c	[mm]	6	7	10	10	10	14	14	15	16
g	[mm]	6.5	8.5	10.5	10.5	13	17	21	25	32
g1×depth	[mm]	∅11x6.5	∅14x9	∅17x11	∅17x11	∅20x13	∅25x17	∅32x21	∅38x25	∅47x30.5
k	[mm]	17.5	22.5	27.5	31.5	37.5	47.5	60	75	90
s	[mm]	40	50	55	63	76	95	120	158	180
t	[mm]	22	30	35	40	45	65	80	108	130
∅v	[mm]	3.5	4	5	6	6	8	8	8	8
∅w×depth	[mm]	9.8x1.1	9.8x1.1	9.8x1.1	9.8x1.1	10.8x1.1	13.8x1.5	13.8x1.5	13.8x1.5	13.8x1.5
∅d1×depth	[mm]	3x6	5x6	3x6	5x10	6x10	8x10	10x10	10x15	12x15
x1	[mm]	6	8	9	10	11	15	18	25	28
y1	[mm]	26	29	33	37	44	55	70	90	102
Seals dimension	[mm]	7x1.5	7x1.5	7x1.5	7x1.5	8x1.5	10x2	10x2	10x2	10x2

**Note :** Block cylinders supplied with O seals.

Double acting BDD : Stroke ≤ 130 mm

Body length L	[mm]	*	44+Stroke	50+Stroke	54+Stroke	65+Stroke	72+Stroke	85+Stroke	90+Stroke	110+Stroke

Double acting BDD : Stroke >130 mm

Body length L	[mm]	-	58.5+Stroke	66+Stroke	70+Stroke	86+Stroke	90+Stroke	106+Stroke	108+Stroke	137+Stroke
Thread x depth	[mm]	-	M8x12	M10x15	M10x15	M12x18	M16x24	M20x30	M24x36	M30x45
Maximum to stroke	[mm]	-	200	250	300	350	350	400	400	400

### Standard strokes (except BDD 10):

5 by 5 mm from 10 to 50 mm

10 by 10 mm from 60 mm to maximum stroke

### Special standard strokes :

BDD 10.16

BDD 160.63

BDD 250.32

### \* Exceptions for BDD 10 :

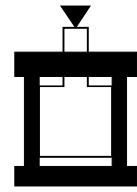
Type	Body length L [mm]
BDD 10.16	56
BDD 10.50	91
BDD 10.100	144

For special strokes, please contact us.

Seals kits are available on stock.

CAD drawings downloadable on [www.quiri.com](http://www.quiri.com)

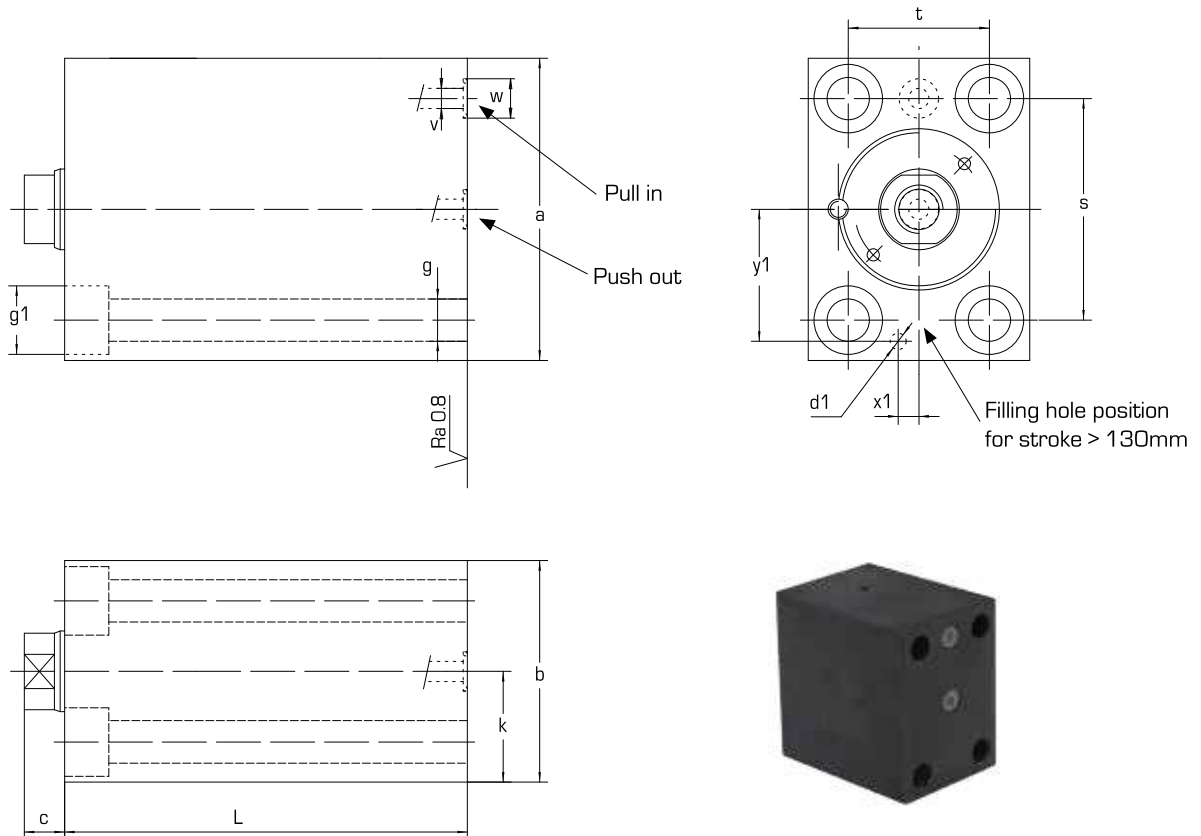




## BDD SERIES MODEL F3 :

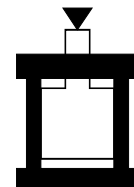
Double acting block cylinder with bottom feeding.

Axial mounting holes in the straight with the rod with counter bores or threads.



**Note :** \* For strokes > 130mm, there are 4 threads on both sides instead of holes with counter bores.  
Indexing for strokes > 130 mm  
2 M12 handling holes for a weight > 15 kg.

# BDD SERIES DIMENSIONS



## BDD SERIES MODEL F3 :

TYPE		BDD10	BDD25	BDD40	BDD65	BDD100	BDD160	BDD250	BDD400	BDD600
Piston	[mm]	16	25	32	40	50	63	80	100	125
Rod	[mm]	10	16	20	25	32	40	50	63	80
Pushing force at 100 bar	kN	2,0	4,9	8,0	12,5	19,6	31,1	50,2	78,5	122,7
Pulling force at 100 bar	kN	1,2	2,9	4,9	7,7	11,6	18,6	30,6	47,4	72,4
a	[mm]	60	65	75	85	100	125	160	200	230
b	[mm]	35	45	55	63	75	95	120	150	180
c	[mm]	6	7	10	10	10	14	14	15	16
g	[mm]	6,5	8,5	10,5	10,5	13	17	21	25	32
g1×depth	[mm]	∅11x6,5	∅14x9	∅17x11	∅17x11	∅20x13	∅25x17	∅32x21	∅38x25	∅47x30,5
k	[mm]	17,5	22,5	27,5	31,5	37,5	47,5	60	75	90
s	[mm]	40	50	55	63	76	95	120	158	180
t	[mm]	22	30	35	40	45	65	80	108	130
∅v	[mm]	3,5	4	5	6	6	8	8	8	8
∅w×depth	[mm]	9,8x1,1	9,8x1,1	9,8x1,1	9,8x1,1	10,8x1,1	13,8x1,5	13,8x1,5	13,8x1,5	13,8x1,5
∅d1×depth	[mm]	3x6	5x6	3x6	5x10	6x10	8x10	10x10	10x15	12x15
x1	[mm]	6	8	9	10	11	15	18	25	28
y1	[mm]	26	29	33	37	44	55	70	90	102
Seals dimension	[mm]	7x1,5	7x1,5	7x1,5	7x1,5	8x1,5	10x2	10x2	10x2	10x2

**Note :** Block cylinders supplied with O seals.

### Double acting BDD : Stroke ≤ 130 mm

Body length L	[mm]	*	44+Stroke	50+Stroke	54+Stroke	65+Stroke	72+Stroke	85+Stroke	90+Stroke	110+Stroke

### Double acting BDD : Stroke >130 mm

Body length L	[mm]	-	58.5+Stroke	66+Stroke	70+Stroke	86+Stroke	90+Stroke	106+Stroke	108+Stroke	137+Stroke
Thread x depth	[mm]	-	M8x12	M10x15	M10x15	M12x18	M16x24	M20x30	M24x36	M30x45
Maximum to stroke	[mm]	-	200	250	300	350	350	400	400	400

### Standard strokes (except BDD 10):

5 by 5 mm from 10 to 50 mm

10 by 10 mm from 60 mm to maximum stroke

### Special standard strokes :

BDD 10.16

BDD 160.63

BDD 250.32

### \* Exceptions for BDD 10 :

Type	Longueur corps L (mm)
BDD 10.16	56
BDD 10.50	91
BDD 10.100	144

For special strokes, please contact us.

Seals kits are available on stock.

CAD drawings downloadable on [www.quiri.com](http://www.quiri.com)