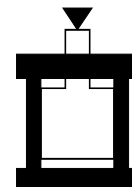


# BLOCK CYLINDERS BDA SERIES



## Description :

QUIRI BDA compact block cylinders are used for applications of clamping or motion in plastic moulds.

## Design :

- Magnetic detection of piston rod position
- Standard key groove for sensor
- Double rod sealing
- Solid body, burnished bore
- Solid piston rod, case hardened for high durability
- Special strokes can be made on customers request

## Warning :

- BDA should not be used over 115°C
- Sensors must be 30 mm away from steel plate



**Standard** model  
BSPP oil ports  
Cross and axial mounting holes



**RD** model  
Cross mounting holes  
Key groove  
BSPP oil ports on the right



**RG** model  
Cross mounting holes  
Key groove  
BSPP oil ports on the left



**AD** model  
Cross mounting holes  
Key groove  
BSPP oil ports on the top right side



**AG** model  
Thread feeding holes  
Cross fixing holes  
Key groove  
Top feeding holes, left side



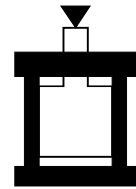
**F1** model  
Cross mounting holes  
Under feeding with o-rings



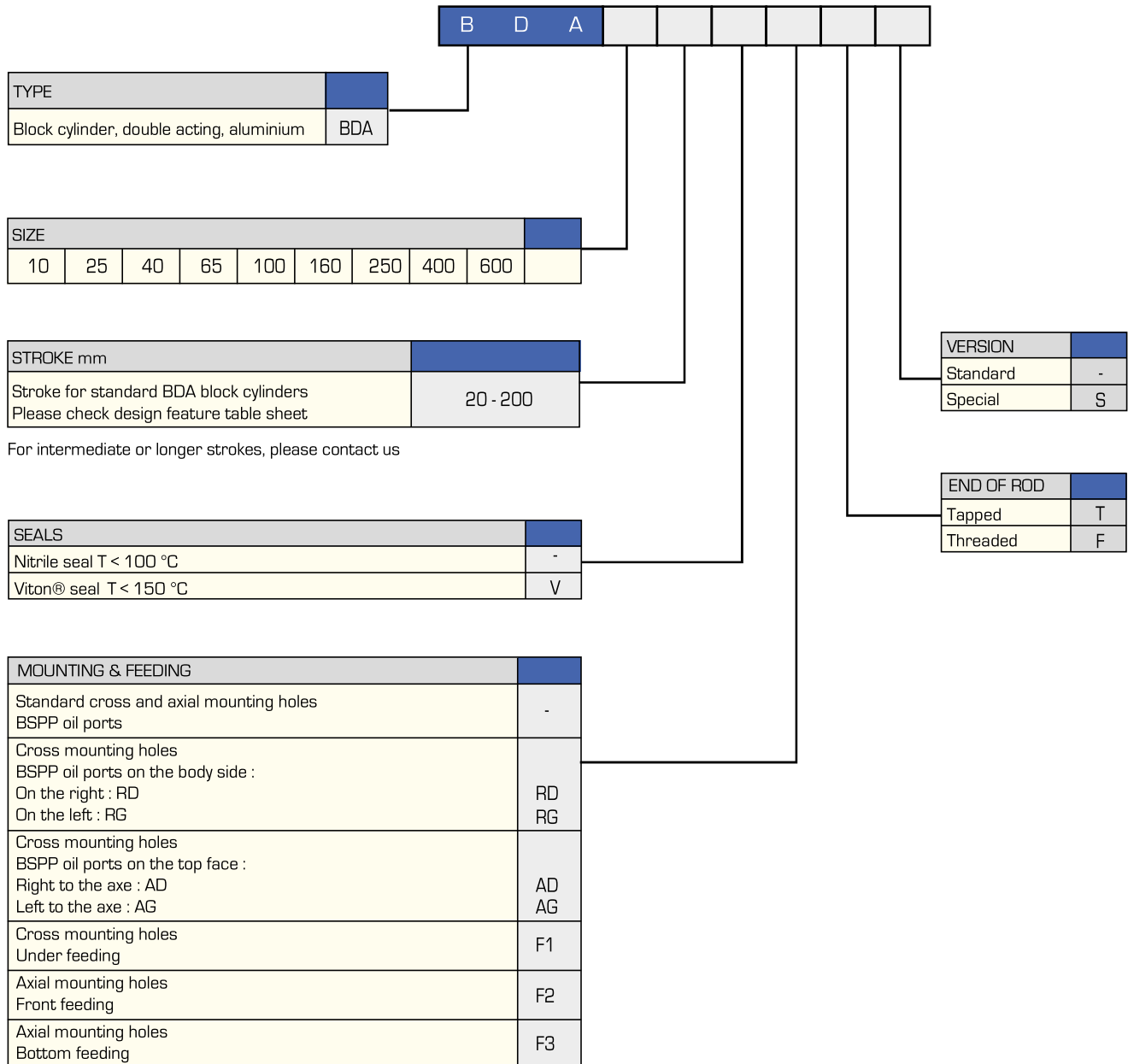
**F2** model  
Axial mounting holes  
Front feeding with o-rings



**F3** model  
Axial mounting holes  
Bottom feeding with o-rings

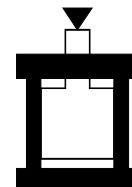


Safety testing pressure: 500 bar  
Maximum operating pressure: 350 bar



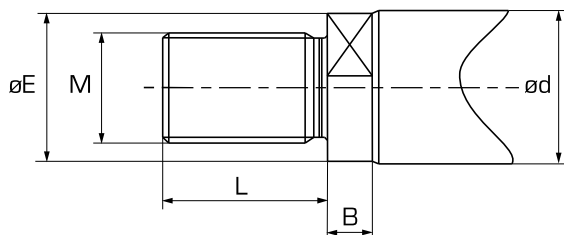
### Example : BDA 100-25 V F1 T

Block cylinder, Aluminium body, Double acting, Hydraulic return, Bore diameter 50 mm, Max force 68KN, Stroke 25 mm, Viton® seals, Under feeding o-rings, Tapped rod end.

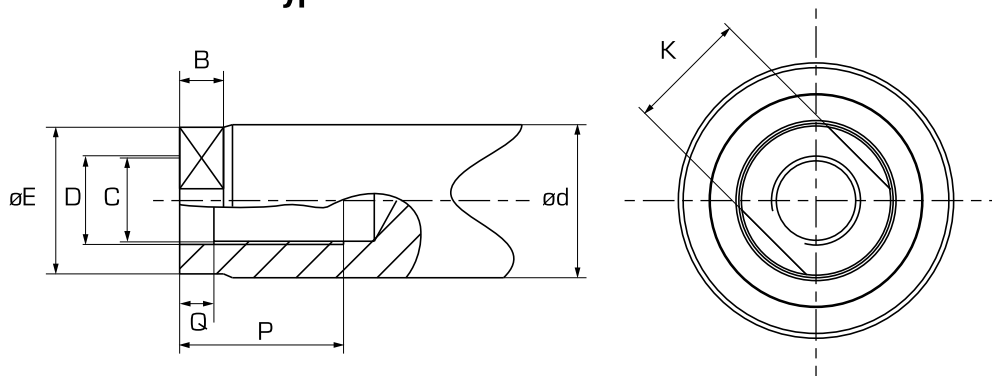


## BDA SERIES ROD END

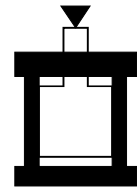
### Type F



### Type T

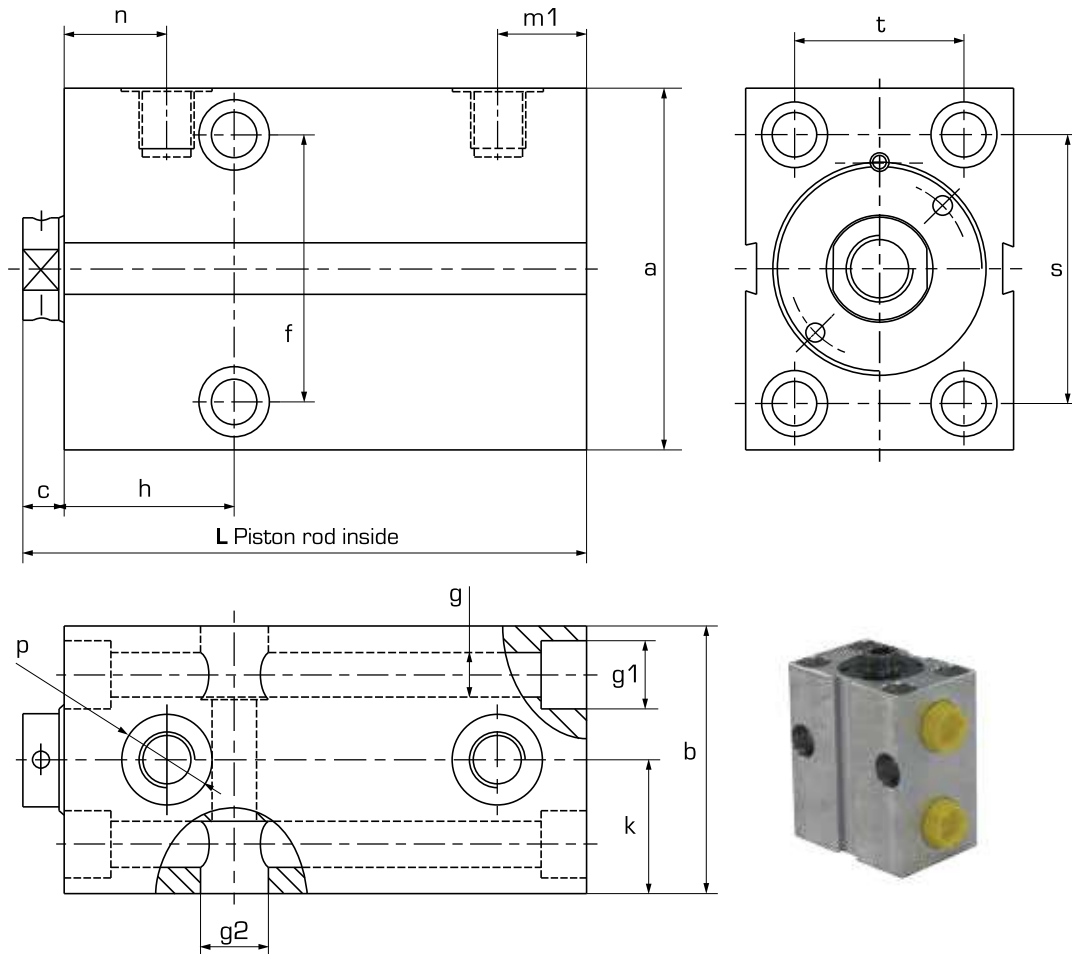


TYPE		BDA25	BDA40	BDA65	BDA100	BDA160	BDA250	BDA400
Ød	[mm]	16	20	25	32	40	50	63
B	[mm]	5.8	7.5	8.5	9	12.2	12	12
C	[mm]	M10x1.5	M12x1.75	M16x2	M20x2.5	M27x3	M30x3.5	M42x4.5
ØE	[mm]	15.2	19	24	31	39	49	61.5
K	[mm]	13	17	22	27	36	46	55
L	[mm]	18	22	28	36	45	52	60
M	[mm]	M14x1.5	M16x1.5	M20x1.5	M27x2	M33x2	M39x2	M45x2
P	[mm]	15	15	25	30	40	40	60
ØD	[mm]	10.5	12.5	16.5	21	28	31	43
Q	[mm]	4	4	7	7	10	10	10



## BDA SERIES MODEL STANDARD :

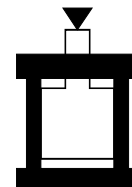
Double acting aluminium block cylinder with adjustable sensor for position monitoring.  
With BSPP oil ports.  
Cross and axial mounting holes.



### Note :

\* For stroke  $\geq 160$ mm, there are 4 threads on both sides instead of holes with counter bores.

# BDA SERIES DIMENSIONS



## BDA SERIES MODEL STANDARD :

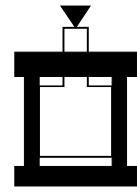
TYPE		BDA25	BDA40	BDA65	BDA100	BDA160	BDA250	BDA400
Piston	[mm]	25	32	40	50	63	80	100
Rod	[mm]	16	20	25	32	40	50	63
Pushing force for 100 bar	kN	4.9	8	12.6	19.6	31.1	50.2	78.5
Pulling force for 100 bar	kN	2.9	4.9	7.6	11.5	18.6	30.6	47.3
a	[mm]	65	75	85	100	125	160	200
b	[mm]	45	55	63	75	95	120	150
c	[mm]	7	10	10	10	14	14	15
f	[mm]	50	55	63	76	95	120	158
g	[mm]	8.5	10.5	10.5	13	17	21	25
g1×depth	[mm]	Ø14x9	Ø17x11	Ø17x11	Ø19x13	Ø25x17	Ø32x21	Ø38x25
g2×depth	[mm]	Ø14x12	Ø17x16	Ø17x17	Ø19x22	Ø25x24	Ø32x31	Ø38x34
h	[mm]	33	38	40	44	50	60	64
k	[mm]	22.5	27.5	31.5	37.5	47.5	60	75
m1	[mm]	18	20	21	21	26	30	34
n	[mm]	18	22	24	27	26	34	35
p		G1/4	G1/4	G1/4	G1/4	G1/2	G1/2	G1/2
s	[mm]	50	55	63	76	95	120	158
t	[mm]	30	35	40	45	65	80	108

### Double acting BDA

Stroke ±1	[mm]	20	25	25	25	30	32	40
Total length L±1	[mm]	85	100	106	117	135	153	170
Reference		BDA 25.20	BDA 40.25	BDA 65.25	BDA 100.25	BDA 160.30	BDA 250.32	BDA 400.40
Stroke ±1	[mm]	50	50	50	50	63	80	-
Total length L±1	[mm]	115	125	131	142	168	201	-
Reference		BDA 25.50	BDA 40.50	BDA 65.50	BDA 100.50	BDA 160.63	BDA 250.80	-
Stroke ±1	[mm]	100	100	100	100	100	100	100
Total length L±1	[mm]	165	175	181	192	205	221	230
Reference		BDA 25.100	BDA 40.100	BDA 65.100	BDA 100.100	BDA 160.100	BDA 250.100	BDA 400.100
Stroke ±1	[mm]	160	160	160	160	160	160	160
Total length L±1	[mm]	228	238	244	255	269	285	294
Thread x depth *	[mm]	M8x12	M10x15	M10x15	M12x18	M16x24	M30x30	M24x36
Reference		BDA 25.160	BDA 40.160	BDA 65.160	BDA 100.160	BDA 160.160	BDA 250.160	BDA 400.160
Stroke ±1	[mm]	200	200	200	200	200	200	200
Total length L±1	[mm]	268	278	284	295	309	325	334
Thread x depth *	[mm]	-	M10x15	M10x15	M12x18	M16x24	M20x30	M24x36
Reference		BDA 25.200	BDA 40.200	BDA 65.200	BDA 100.200	BDA 160.200	BDA 250.200	BDA 400.200

For special strokes, please contact us.

Seals kits are available on stock.



## BDA SERIES MODEL RD/RG :

Double acting block cylinder with adjustable sensor for position monitoring

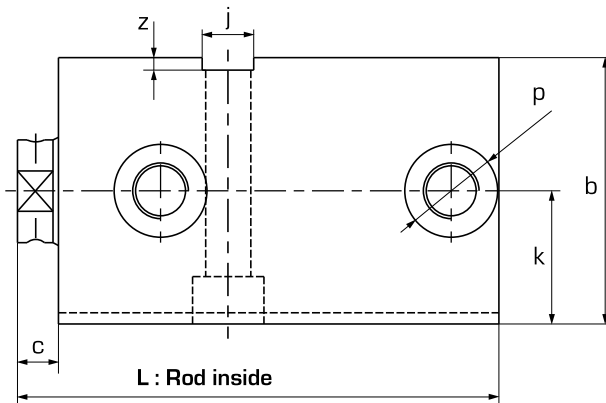
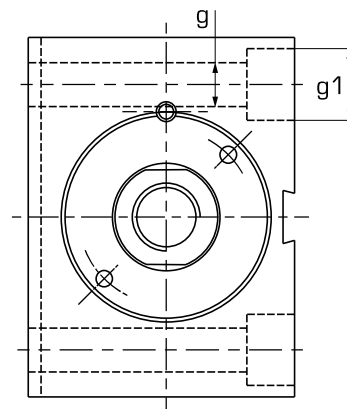
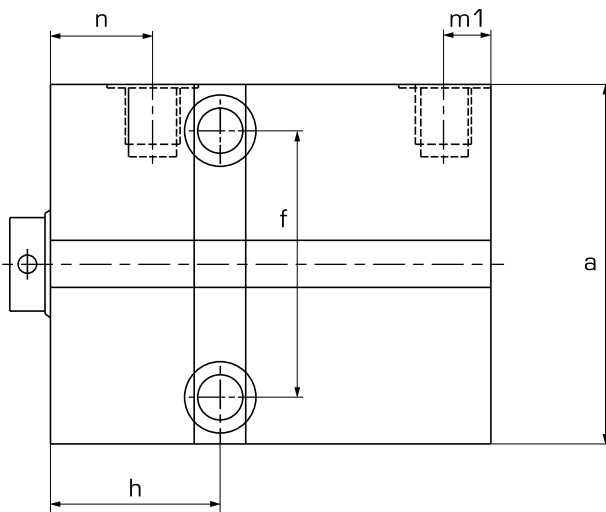
With key groove

With BSPP oil ports

Feeding port on the right side = BDA model **RD**

Feeding port on the left side = BDA model **RG**

Cross mounting holes with counter bores

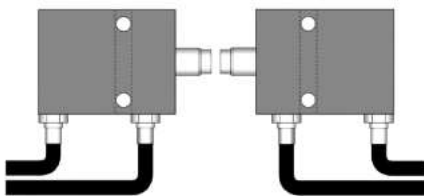


RD model



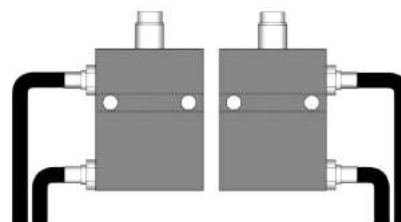
RG model

## Mounting example



RD

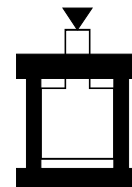
RG



RG

RD

# BDA SERIES DIMENSIONS

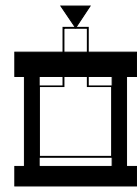


## BDA SERIES MODEL RD/RG :

TYPE		BDA25	BDA40	BDA65	BDA100	BDA160	BDA250	BDA400
Piston	(mm)	25	32	40	50	63	80	100
Rod	(mm)	16	20	25	32	40	50	63
Pushing force for 100 bar	kN	4.9	8	12.6	19.6	31.1	50.2	78.5
Pulling force for 100 bar	kN	2.9	4.9	7.6	11.5	18.6	30.6	47.3
a	(mm)	65	75	85	100	125	160	200
b	(mm)	45	55	63	75	95	120	150
c	(mm)	7	10	10	10	14	14	15
f	(mm)	50	55	63	76	95	120	158
g	(mm)	8.5	10.5	10.5	13	17	21	25
g1×depth	(mm)	Ø14x9	Ø17x11	Ø17x11	Ø19x13	Ø25x17	Ø32x21	Ø38x25
h	(mm)	33	38	40	44	50	60	64
j	(mm)	10	12	12	16	20	24	28
k	(mm)	22.5	27.5	31.5	37.5	47.5	60	75
m1	(mm)	18	20	21	21	26	30	34
n	(mm)	18	22	24	27	26	34	35
p		G1/4	G1/4	G1/4	G1/4	G1/2	G1/2	G1/2
z	(mm)	2	3	3	5	5	7	7

Double acting BDA								
Stroke ±1	(mm)	20	25	25	25	30	32	40
Total length L±1	(mm)	85	100	106	117	135	153	170
Reference		BDA 25.20	BDA 40.25	BDA 65.25	BDA 100.25	BDA 160.30	BDA 250.32	BDA 400.40
Stroke ±1	(mm)	50	50	50	50	63	80	-
Total length L±1	(mm)	115	125	131	142	168	201	-
Reference		BDA 25.50	BDA 40.50	BDA 65.50	BDA 100.50	BDA 160.63	BDA 250.80	-
Stroke ±1	(mm)	100	100	100	100	100	100	100
Total length L±1	(mm)	165	175	181	192	205	221	230
Reference		BDA 25.100	BDA 40.100	BDA 65.100	BDA 100.100	BDA 160.100	BDA 250.100	BDA 400.100
Stroke ±1	(mm)	160	160	160	160	160	160	160
Total length L±1	(mm)	228	238	244	255	269	285	294
Reference		BDA 25.160	BDA 40.160	BDA 65.160	BDA 100.160	BDA 160.160	BDA 250.160	BDA 400.160
Stroke ±1	(mm)	200	200	200	200	200	200	200
Total length L±1	(mm)	268	278	284	295	309	325	334
Reference		BDA 25.200	BDA 40.200	BDA 65.200	BDA 100.200	BDA 160.200	BDA 250.200	BDA 400.200

For special strokes, please contact us.  
Seals kits are available on stock.



## BDA SERIES MODEL AD/AG :

Double acting block cylinder with adjustable sensor for position monitoring

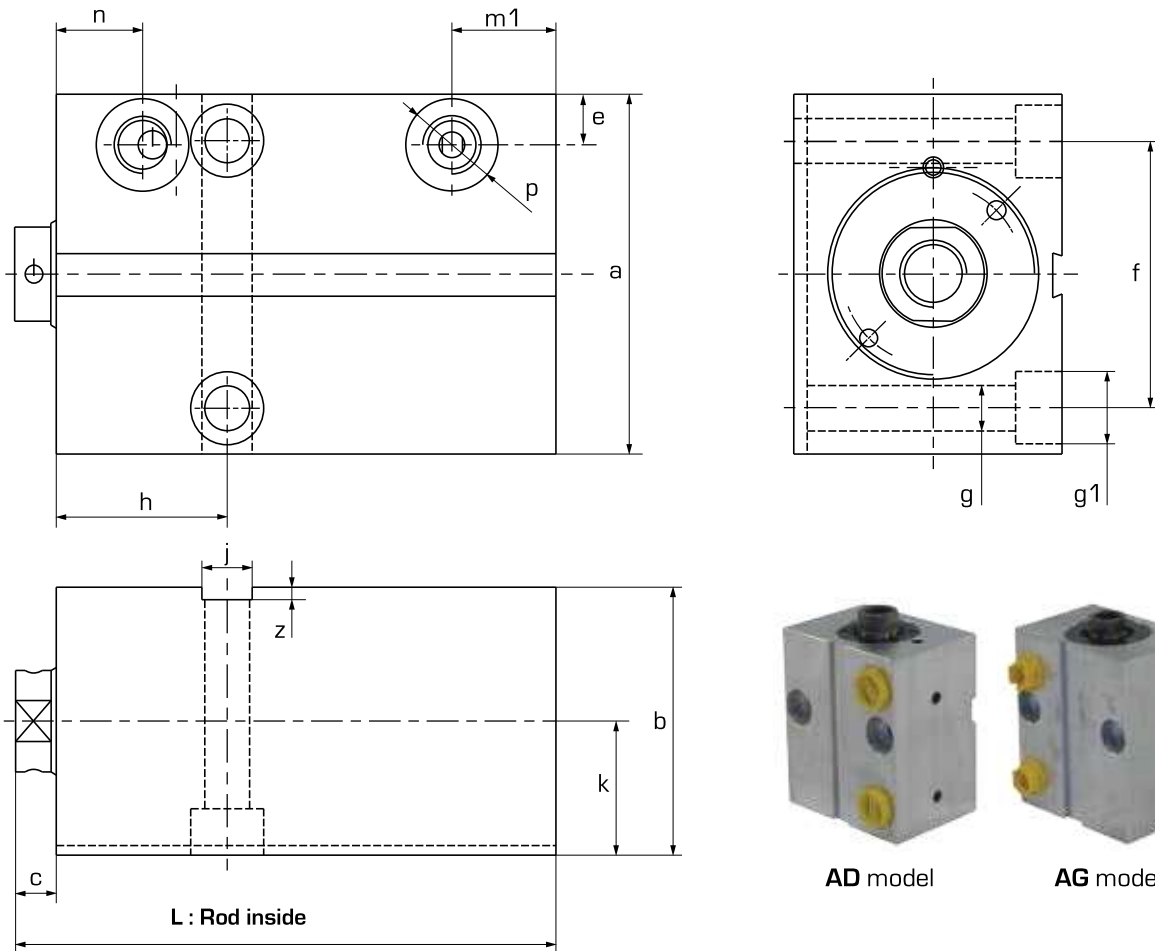
With key groove

With BSPP oil ports on the top side :

On the right to the axe = **BDA model AD**

On the left to the axe = **BDA model AG**

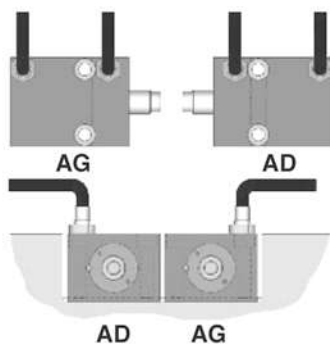
Cross mounting holes with counter bores



AD model

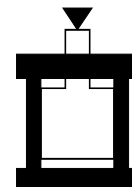
AG model

## Mounting example





# BDA SERIES DIMENSIONS



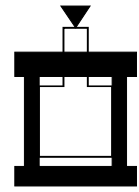
## BDA SERIES MODEL AD/AG :

TYPE		BDA25	BDA40	BDA65	BDA100	BDA160	BDA250	BDA400
Piston	(mm)	25	32	40	50	63	80	100
Rod	(mm)	16	20	25	32	40	50	63
Pushing force for 100 bar	kN	4.9	8	12.6	19.6	31.1	50.2	78.5
Pulling force for 100 bar	kN	2.9	4.9	7.6	11.5	18.6	30.6	47.3
a	(mm)	65	75	85	100	125	160	200
b	(mm)	45	55	63	75	95	120	150
c	(mm)	7	10	10	10	14	14	15
e	(mm)	10.5	12	12	12	20	20	20
f	(mm)	50	55	63	76	95	120	158
g	(mm)	8.5	10.5	10.5	13	17	21	25
g1×depth	(mm)	14x9	17x11	17x11	19x13	25x17	32x21	38x25
h	(mm)	33	38	40	44	50	60	64
j	(mm)	10	12	12	16	20	24	28
k	(mm)	22.5	27.5	31.5	37.5	47.5	60	75
m1	(mm)	16	17	19	21	27	34	Ask
n	(mm)	16	16.2	20	21.5	19.5	26	27
p		G1/8	G1/4	G1/4	G1/4	G1/2	G1/2	G1/2
z	(mm)	2	3	3	5	5	7	7

Double acting BDA								
Stroke ±1	(mm)	20	25	25	25	30	32	40
Total length L±1	(mm)	85	100	106	117	135	153	170
Reference		BDA 25.20	BDA40.25	BDA65.25	BDA100.25	BDA160.30	BDA250.32	BDA400.40
Stroke ±1	(mm)	50	50	50	50	63	80	
Total length L±1	(mm)	115	125	131	142	168	201	
Reference		BDA 25.50	BDA40.50	BDA65.50	BDA100.50	BDA160.63	BDA250.80	
Stroke ±1	(mm)	100	100	100	100	100	100	100
Total length L±1	(mm)	165	175	181	192	205	221	230
Reference		BDA 25.100	BDA40.100	BDA65.100	BDA100.100	BDA160.100	BDA250.100	BDA400.100
Stroke ±1	(mm)	160	160	160	160	160	160	160
Total length L±1	(mm)	228	238	244	255	269	285	294
Reference		BDA 25.160	BDA40.160	BDA65.160	BDA100.160	BDA160.160	BDA250.160	BDA400.160
Stroke ±1	(mm)	200	200	200	200	200	200	200
Total length L±1	(mm)	268	278	284	295	309	325	334
Reference		BDA 25.200	BDA40.200	BDA65.25	BDA100.200	BDA160.200	BDA250.200	BDA400.200

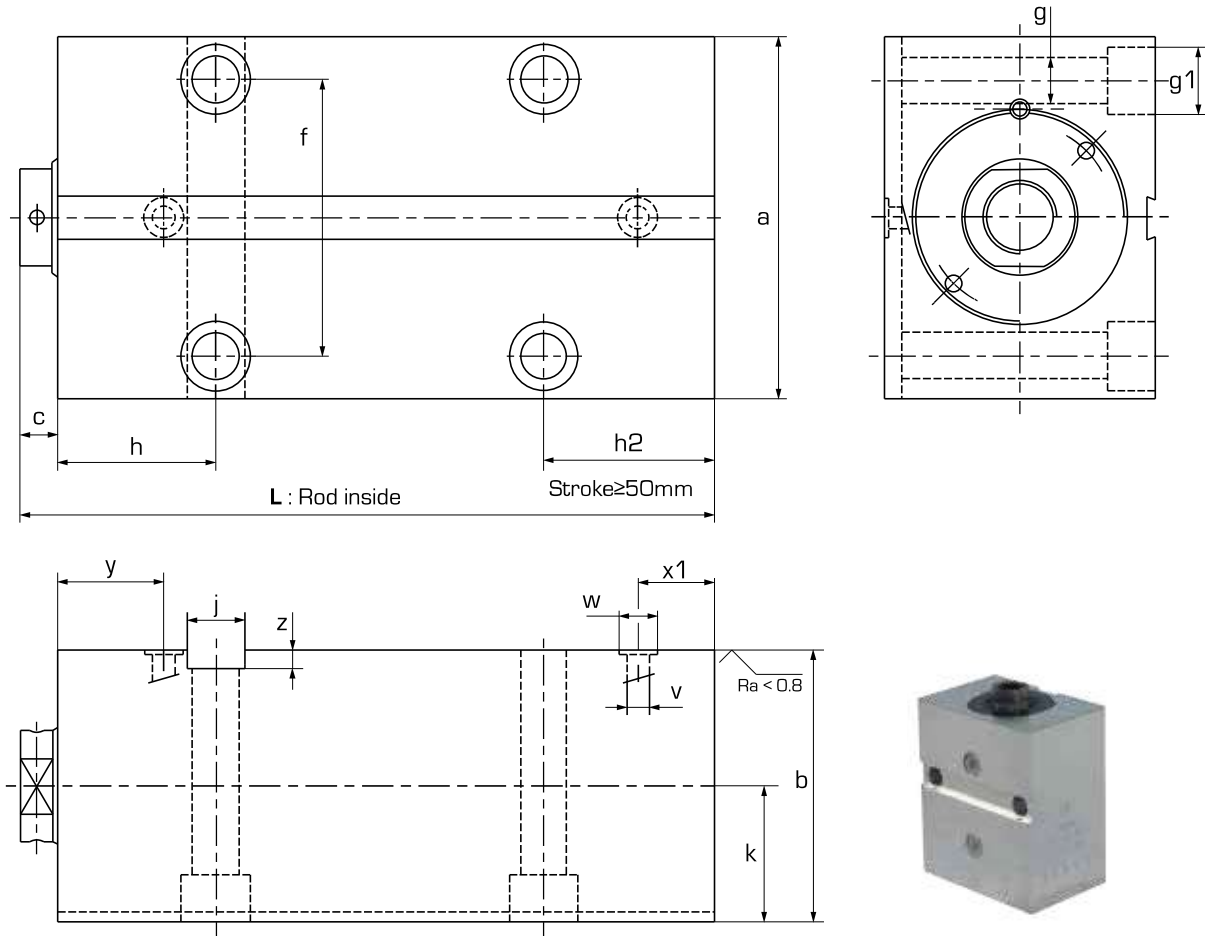
For special strokes, please contact us.

Seals kits are available on stock.



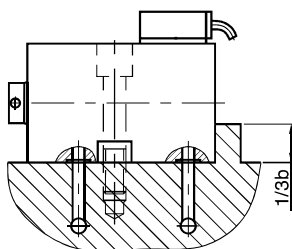
## BDA SERIES MODEL F1 :

Double acting block cylinder with adjustable sensor for position monitoring.  
With under side parts with o-ring.  
Cross mounting holes.

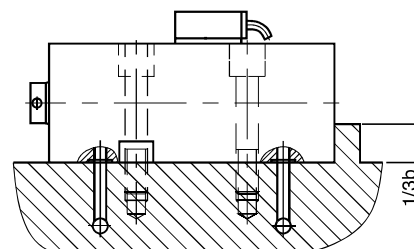


## Mounting example

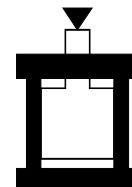
Short strokes : < 50 mm



Long strokes : ≥ 50 mm



# BDA SERIES DIMENSIONS



## BDA SERIES MODEL F1 :

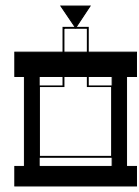
TYPE		BDA25	BDA40	BDA65	BDA100	BDA160	BDA250	BDA400
Piston	(mm)	25	32	40	50	63	80	100
Rod	(mm)	16	20	25	32	40	50	63
Pushing force for 100 bar	kN	4.9	8	12.6	19.6	31.1	50.2	78.5
Pulling force for 100 bar	kN	2.9	4.9	7.6	11.5	18.6	30.6	47.3
a	(mm)	65	75	85	100	125	160	200
b	(mm)	45	55	63	75	95	120	150
c	(mm)	7	10	10	10	14	14	15
f	(mm)	50	55	63	76	95	120	158
g	(mm)	8.5	10.5	10.5	13	17	21	25
g1×depth	(mm)	Ø14x9	Ø17x11	Ø17x11	Ø19x13	Ø25x17	Ø32x21	Ø38x25
h	(mm)	33	38	40	44	50	60	64
h2 (stroke≥50mm)	(mm)	40	42	44	47	60	70	75
j	(mm)	10	12	12	16	20	24	28
k	(mm)	22.5	27.5	31.5	37.5	47.5	60	75
v	(mm)	4	5	6	6	8	8	8
w×depth	(mm)	9.8x1.1	9.8x1.1	9.8x1.1	10.8x1.1	13.8x1.5	13.8x1.5	13.8x1.5
x1	(mm)	21.5	25	27	30	35	39	45
y	(mm)	21	25	27	29.5	32	39	40
z	(mm)	2	3	3	5	5	7	7
Seals dimension	(mm)	7x1.5	7x1.5	7x1.5	8x1.5	10x2	10x2	10x2

**Note :** Blocks cylinders supplied with o-rings for the feeding ports

Double acting BDA								
Stroke ±1	(mm)	20	25	25	25	30	32	40
Total length L±1	(mm)	85	100	106	117	135	153	170
Reference		BDA 25.20	BDA 40.25	BDA 65.25	BDA 100.25	BDA 160.30	BDA 250.32	BDA 400.40
Stroke ±1	(mm)	50	50	50	50	63	80	-
Total length L±1	(mm)	115	125	131	142	168	201	-
Reference		BDA 25.50	BDA 40.50	BDA 65.50	BDA 100.50	BDA 160.63	BDA 250.80	-
Stroke ±1	(mm)	100	100	100	100	100	100	100
Total length L±1	(mm)	165	175	181	192	205	221	230
Reference		BDA 25.100	BDA 40.100	BDA 65.100	BDA 100.100	BDA 160.100	BDA 250.100	BDA 400.100
Stroke ±1	(mm)	160	160	160	160	160	160	160
Total length L±1	(mm)	228	238	244	255	269	285	294
Reference		BDA 25.160	BDA 40.160	BDA 65.160	BDA 100.160	BDA 160.160	BDA 250.160	BDA 400.160
Stroke ±1	(mm)	200	200	200	200	200	200	200
Total length L±1	(mm)	268	278	284	295	309	325	334
Reference		BDA 25.200	BDA 40.200	BDA 65.200	BDA 100.200	BDA 160.200	BDA 250.200	BDA 400.200

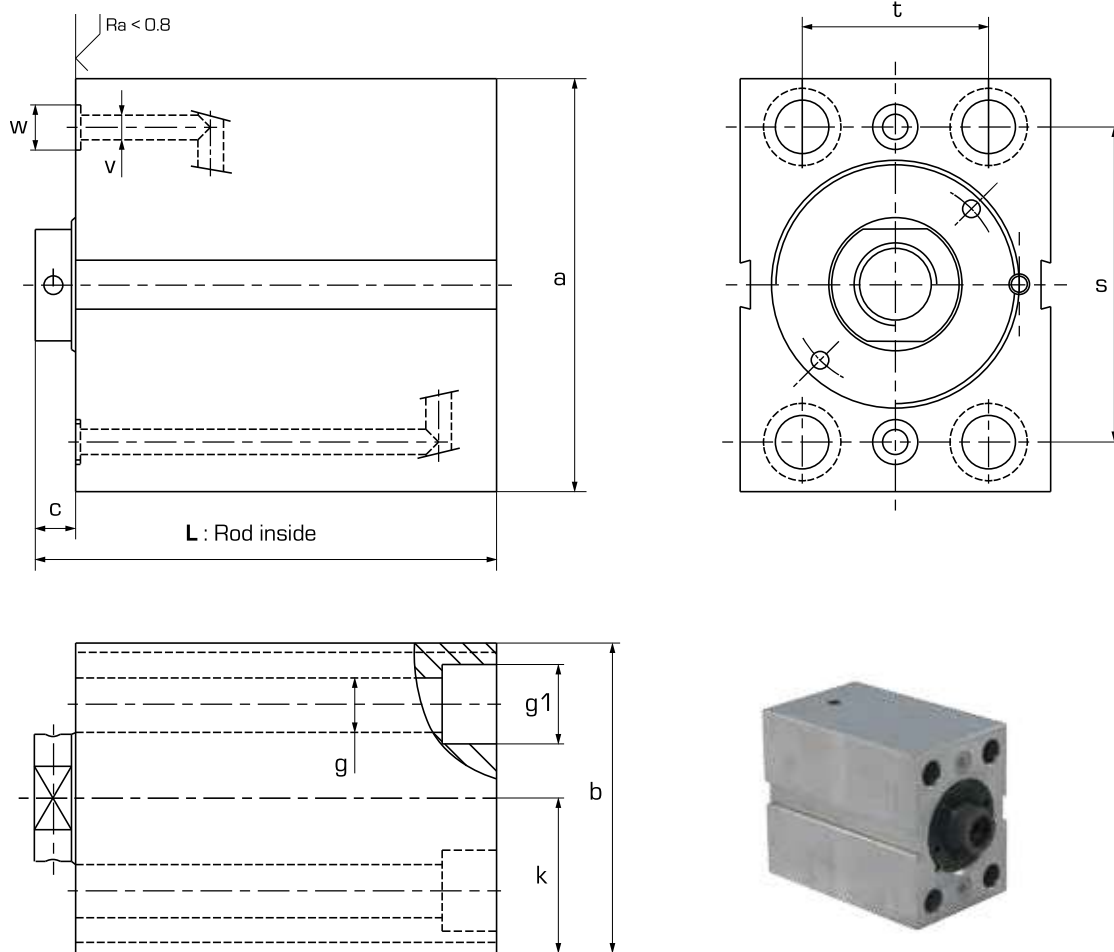
For special strokes, please contact us.

Seals kits are available on stock.



## BDA SERIES MODEL F2 :

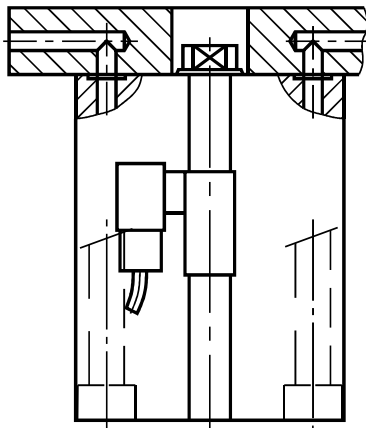
Double acting block cylinder with adjustable sensor for position monitoring  
With feeding ports on the front side with o-ring.  
Axial mounting holes in the straight with the rod with counter bores or threads.



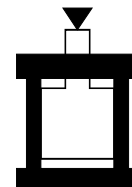
### Note :

\* For stroke  $\geq 160$ mm, there are 4 threads on both sides instead of holes with counter bores.

## Mounting example



# BDA SERIES DIMENSIONS



## BDA SERIES MODEL F2 :

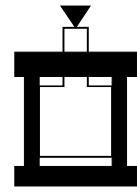
TYPE		BDA25	BDA40	BDA65	BDA100	BDA160	BDA250	BDA400
Piston	(mm)	25	32	40	50	63	80	100
Rod	(mm)	16	20	25	32	40	50	63
Pushing force for 100 bar	kN	4.9	8	12.6	19.6	31.1	50.2	78.5
Pulling force for 100 bar	kN	2.9	4.9	7.6	11.5	18.6	30.6	47.3
a	(mm)	65	75	85	100	125	160	200
b	(mm)	45	55	63	75	95	120	150
c	(mm)	7	10	10	10	14	14	15
g	(mm)	8.5	10.5	10.5	13	17	21	25
g1×depth	(mm)	Ø14x9	Ø17x11	Ø17x11	Ø19x13	Ø25x17	Ø32x21	Ø38x25
k	(mm)	22.5	27.5	31.5	37.5	47.5	60	75
s	(mm)	50	55	63	76	95	120	158
t	(mm)	30	35	40	45	65	80	108
v	(mm)	4	5	6	6	8	8	8
w×depth	(mm)	9.8x1.1	9.8x1.1	9.8x1.1	10.8x1.1	13.8x1.5	13.8x1.5	13.8x1.5
Seals dimension	(mm)	7x1.5	7x1.5	7x1.5	8x1.5	10x2	10x2	10x2

**Note :** Blocks cylinders supplied with o-rings for the feeding ports

Double acting BDA								
Stroke ±1	(mm)	20	25	25	25	30	32	40
Total length L±1	(mm)	85	100	106	117	135	153	170
Reference		BDA 25.20	BDA 40.25	BDA 65.25	BDA 100.25	BDA 160.30	BDA 250.32	BDA 400.40
Stroke ±1	(mm)	50	50	50	50	63	80	-
Total length L±1	(mm)	115	125	131	142	168	201	-
Reference		BDA 25.50	BDA 40.50	BDA 65.50	BDA 100.50	BDA 160.63	BDA 250.80	-
Stroke ±1	(mm)	100	100	100	100	100	100	100
Total length L±1	(mm)	165	175	181	192	205	221	230
Reference		BDA 25.100	BDA 40.100	BDA 65.100	BDA 100.100	BDA 160.100	BDA 250.100	BDA 400.100
Stroke ±1	(mm)	160	160	160	160	160	160	160
Total length L±1	(mm)	228	238	244	255	269	285	294
Thread x depth *	(mm)	M8x12	M10x15	M10x15	M12x18	M16x24	M30x30	M24x36
Reference		BDA 25.160	BDA 40.160	BDA 65.160	BDA 100.160	BDA 160.160	BDA 250.160	BDA 400.160
Stroke ±1	(mm)	200	200	200	200	200	200	200
Total length L±1	(mm)	268	278	284	295	309	325	334
Thread x depth *	(mm)	-	M10x15	M10x15	M12x18	M16x24	M20x30	M24x36
Reference		BDA 25.200	BDA 40.200	BDA 65.200	BDA 100.200	BDA 160.200	BDA 250.200	BDA 400.200

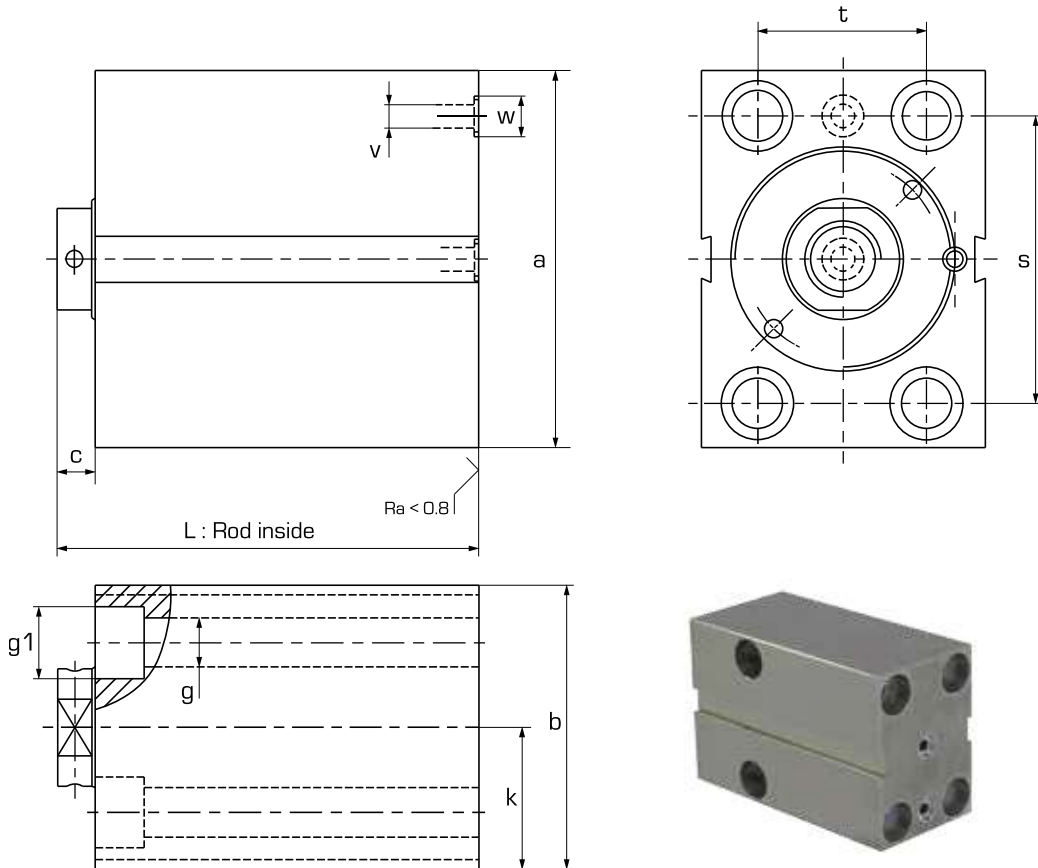
For special strokes, please contact us.

Seals kits are available on stock.



## BDA SERIES MODEL F3 :

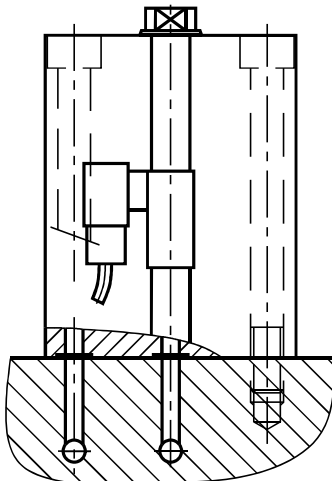
Double acting block cylinder with adjustable sensor for position monitoring.  
With feeding ports on the bottom side with o-ring.  
Axial mounting holes in the straight with the rod with counter bores or threads.



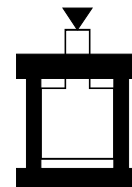
### Note :

\* For stroke  $\geq 160$ mm, there are 4 threads on both sides instead of holes with counter bores.

## Mounting example



# BDA SERIES DIMENSIONS



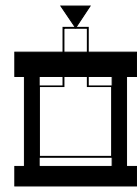
## BDA SERIES MODEL F3 :

TYPE		BDA25	BDA40	BDA65	BDA100	BDA160	BDA250	BDA400
Piston	[mm]	25	32	40	50	63	80	100
Rod	[mm]	16	20	25	32	40	50	63
Pushing force for 100 bar	kN	4.9	8	12.6	19.6	31.1	50.2	78.5
Pulling force for 100 bar	kN	2.9	4.9	7.6	11.5	18.6	30.6	47.3
a	[mm]	65	75	85	100	125	160	200
b	[mm]	45	55	63	75	95	120	150
c	[mm]	7	10	10	10	14	14	15
g	[mm]	8.5	10.5	10.5	13	17	21	25
g1×depth	[mm]	Ø14x9	Ø17x11	Ø17x11	Ø19x13	Ø25x17	Ø32x21	Ø38x25
k	[mm]	22.5	27.5	31.5	37.5	47.5	60	75
s	[mm]	50	55	63	76	95	120	158
t	[mm]	30	35	40	45	65	80	108
v	[mm]	4	5	6	6	8	8	8
w×depth	[mm]	9.8x1.1	9.8x1.1	9.8x1.1	10.8x1.1	13.8x1.5	13.8x1.5	13.8x1.5
Seals dimension	[mm]	7x1.5	7x1.5	7x1.5	8x1.5	10x2	10x2	10x2

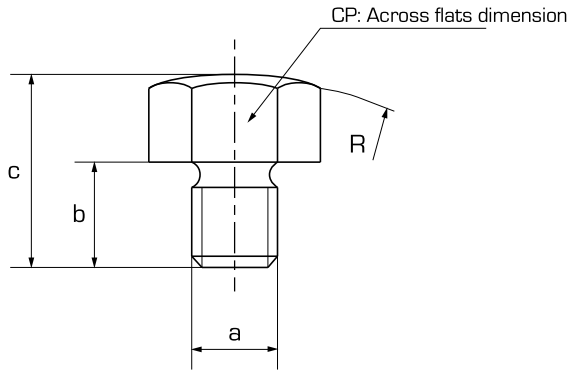
**Note :** Blocks cylinders supplied with o-rings for the feeding ports

Double acting BDA								
Stroke ±1	[mm]	20	25	25	25	30	32	40
Total length L±1	[mm]	85	100	106	117	135	153	170
Reference		BDA 25.20	BDA 40.25	BDA 65.25	BDA 100.25	BDA 160.30	BDA 250.32	BDA 400.40
Stroke ±1	[mm]	50	50	50	50	63	80	-
Total length L±1	[mm]	115	125	131	142	168	201	-
Reference		BDA 25.50	BDA 40.50	BDA 65.50	BDA 100.50	BDA 160.63	BDA 250.80	-
Stroke ±1	[mm]	100	100	100	100	100	100	100
Total length L±1	[mm]	165	175	181	192	205	221	230
Reference		BDA 25.100	BDA 40.100	BDA 65.100	BDA 100.100	BDA 160.100	BDA 250.100	BDA 400.100
Stroke ±1	[mm]	160	160	160	160	160	160	160
Total length L±1	[mm]	228	238	244	255	269	285	294
Thread x depth *	[mm]	M8x12	M10x15	M10x15	M12x18	M16x24	M30x30	M24x36
Reference		BDA 25.160	BDA 40.160	BDA 65.160	BDA 100.160	BDA 160.160	BDA 250.160	BDA 400.160
Stroke ±1	[mm]	200	200	200	200	200	200	200
Total length L±1	[mm]	268	278	284	295	309	325	334
Thread x depth *	[mm]	-	M10x15	M10x15	M12x18	M16x24	M20x30	M24x36
Reference		BDA 25.200	BDA 40.200	BDA 65.200	BDA 100.200	BDA 160.200	BDA 250.200	BDA 400.200

For special strokes, please contact us.  
Seals kits are available on stock.

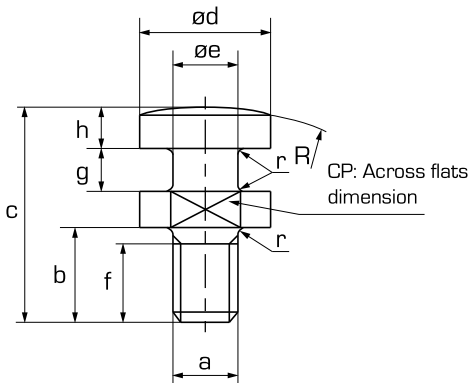


## Contact bolts, dome head



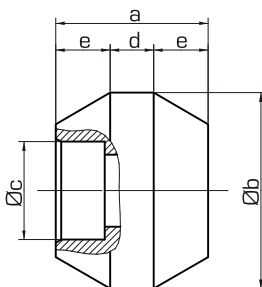
TYPE	Dimensions				
	a	b	c	R	CP
VB10.6	M6	10	20	20	10
VB25.10	M10	12	22	35	17
VB40.12	M12	12	22	45	19
VB65.16	M16	20	30	60	24
VB100.20	M20	25	35	60	30
VB160.27	M27	30	47	100	41
VB250.30	M30	35	54	100	46
VB400.42	M42	45	71	140	65
VB600.48	M48	60	90	250	75

## Push and pull coupling screw



TYPE	Dimensions										
	a	b	c	ød	øe	f	g	h	r	R	CP
VA10.6	M6	12	28.5	12.5	6	9.5	6	5	0.8	200	10
VA25.10	M10	14.5	32	20	10	12	6.5	5.5	1	320	17
VA40.12	M12	14.5	32	20	10	12	6.5	5.5	1	320	19
VA65.16	M16	20	40	25	16	16	7	6	1	400	24
VA100.20	M20	28	56	32	18	22	10	10	1	500	30
VA160.27	M27	39	75	40	24	32	13	12	1.5	630	41
VA250.30	M30	35	89	52	30	28	19	19	2	800	46

## Monitoring cam

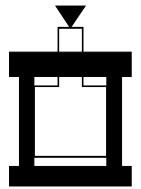


TYPE	Dimensions				
	a	øb	øC x deph	d	e
Came BDD	14	18	9 x 4.5	4	5 à 30°
Came BDS	18	20	12 x 8	8	5 à 30°
Came BCD	18	20	12 x 8	8	5 à 30°

Cam supplied with fixing screws.

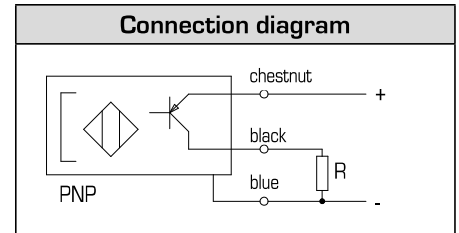


# MAGNETIC SENSORS FOR BDA



## Working conditions of BDA block cylinder sensors :

- Supply voltage : 10 to 30 V DC
- Permanent acceptable electric current : 200 mA to 25°C
- Connection : PNP-NO, connector M8
- Protection standard : according to CEI 60529 : IP67
- Temperature : Check the following table sheet
- Cables available on requirement



Magnetical sensor DM1		
		<p>Temperature: -20°C - 70°C</p> <p>Can be fixed into the trapezoidal groove on BDA cylinder directly.</p>
Magnetical sensor DM2		
		<p>Temperature: -20°C - 70°C</p> <p>Use clamp to fix on block cylinder, clamp allows to change sensor without new ajustment.</p>
Magnetical sensor DM3 HT		
		<p>Temperature: -20°C - 105°C</p> <p>Use clamp to fix on block cylinder, clamp allows to change sensor without new ajustment.</p>
Magnetical sensor DM4		
		<p>Temperature: -20°C - 70°C</p> <p>Use clamp to fix on block cylinder, clamp allows to change sensor without new ajustment.</p>
Clamp to memorize position of magnetic sensor DM2, DM3 HT		
	<p>This clamp can be used with DM2, DM3 HT; Use clamp to fix on block cylinder. The clamp will keep the position of the sensor even after the sensor is replaced; This clamp is shipped with sensor and also can be ordered separately.</p>	
Clamp to memorize position of magnetic sensor DM4		
	<p>This clamp can be used with DM4; Use clamp to fix on block cylinder. The clamp will keep the position of the sensor even after the sensor is replaced; This clamp is shipped with sensor and also can be ordered separately.</p>	