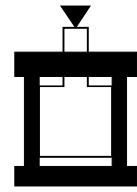


BLOCK CYLINDER BCD SERIES



Description :

QUIRI cylindrical block cylinder BCD is very compact. It is designed by solid casting and two feeding holes are on the base plate bottom.

Advantage :

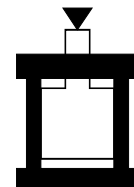
- Solid body, burnished bore
- Double rod sealing
- High hardness solid piston rod
- Strokes on demande up to 100mm

For special strokes over 100mm, please contact us.



Block cylinder **BCD** with rod type **N**

BCD SERIES DESIGNATION



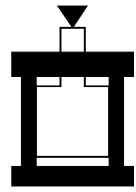
Safety testing pressure: 500 bar
Maximum operating pressure: 350 bar

		B	C	D						
TYPE		Block cylinder, Cylindrical, Double action, Hydraulic return		BCD						
PISTON DIAMETER		32	40	50	63	80				
STROKE mm		Strokes on request		5 - 100						
SEALS		Nitrile seals (T < 100°C)		-						
		Viton® seals (T < 150°C)		V						
ROD		Single rod		-						
		With information rod		I						
END OF ROD		Tapped rod, can go completely inside the body		N						
		Tapped rod with flats		T						
		Threaded rod		F						
		Tenon rod		TE						
		Standard		-						
		Special		S						

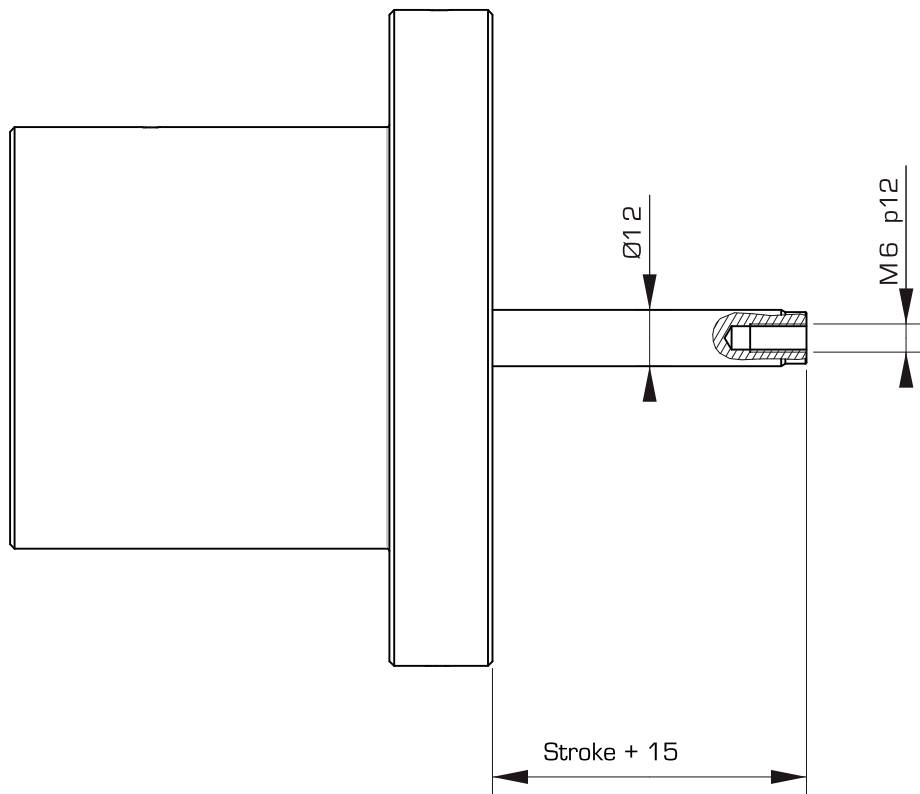
Example :

BCD 50 - 60 V F

Cylindrical Block Cylinder BCD, Double acting, Hydraulic return, Piston diameter ø50mm, stroke 60mm, Viton® seals, outside thread rod end.

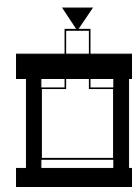


OPTION MONITORING ROD

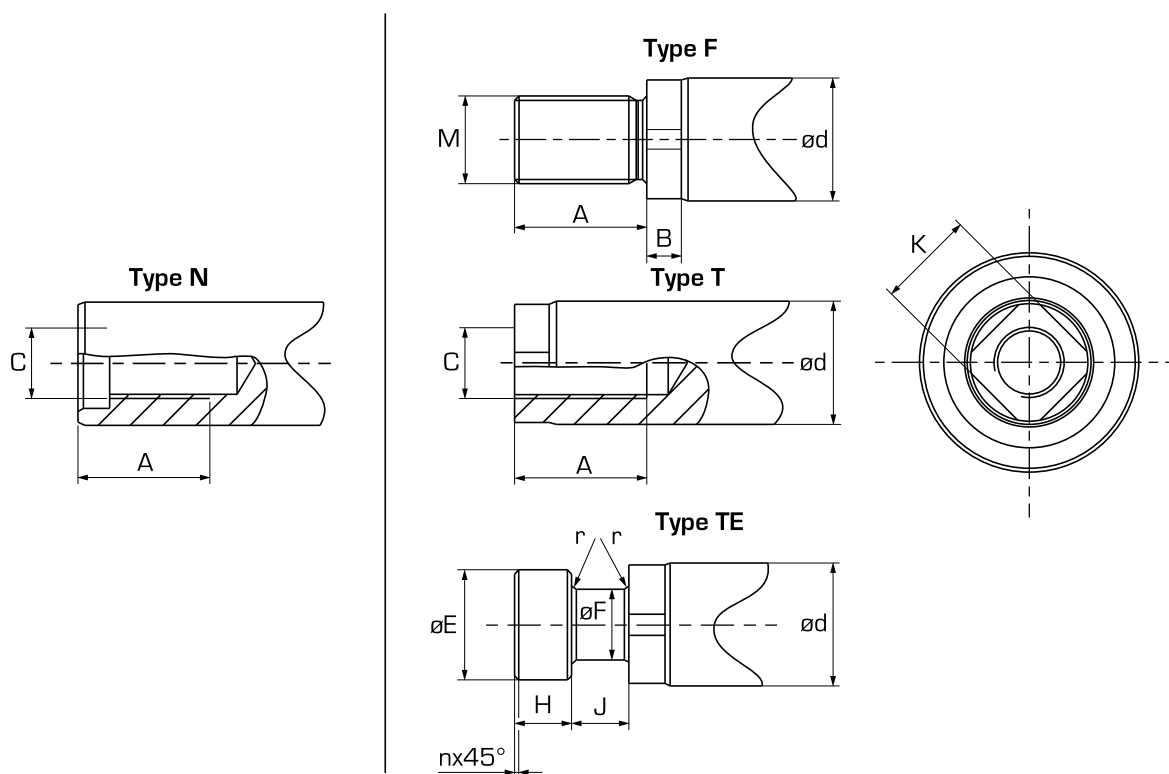


For more information about monitoring cams please see page 36

BCD SERIES DIMENSIONS

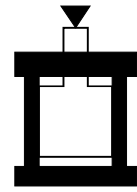


END OF ROD FOR BCD SERIES



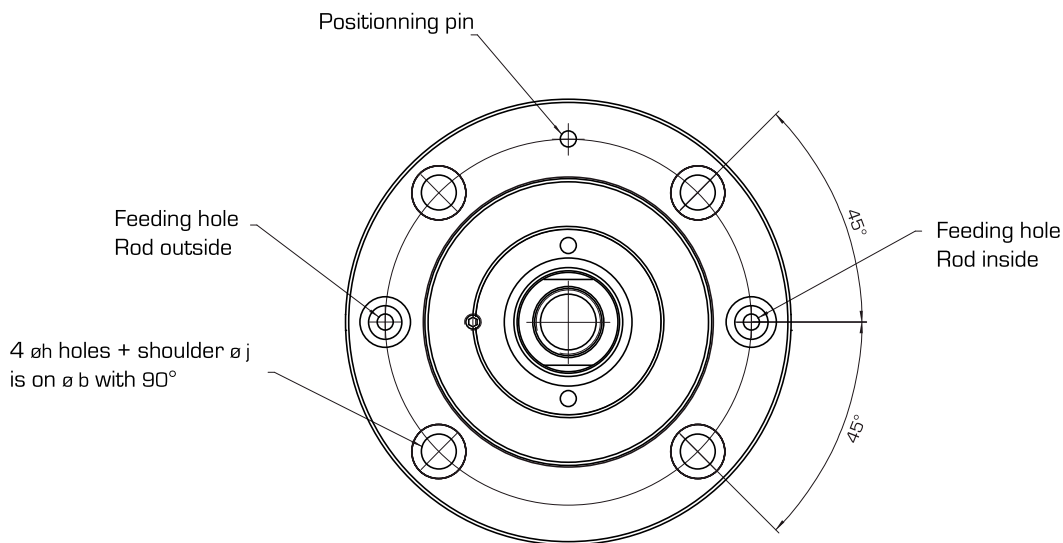
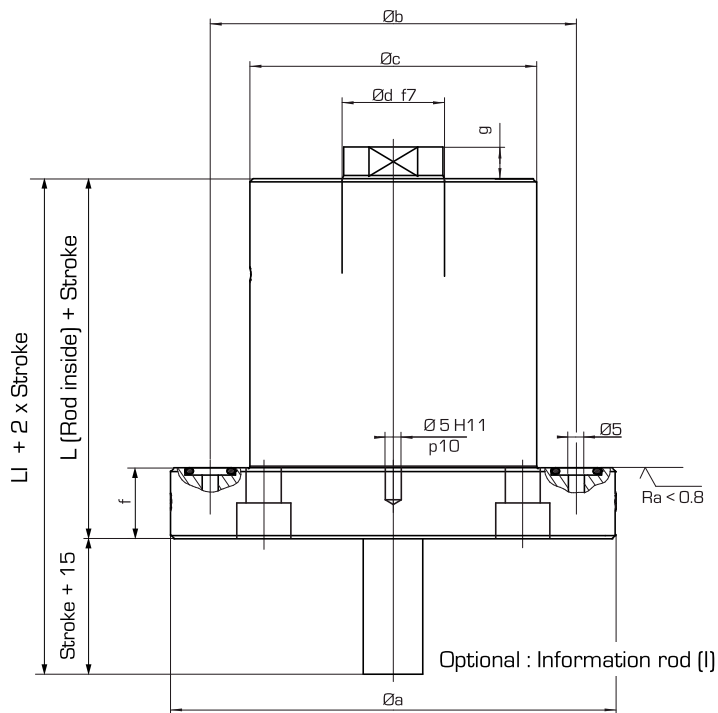
TYPE		BCD32	BCD40	BCD50	BCD63	BCD80
d	[mm]	18	22	28	36	45
A	[mm]	20	25	30	40	50
B	[mm]	6	8	8	10	12
C	[mm]	M10x1.5	M12x1.75	M20x2.5	M27x3	M30x3.5
E	[mm]	16	20	25	33	42
F	[mm]	10	13	16	22	30
H h13	[mm]	8	10	13	16	20
J H11	[mm]	8	10	13	16	20
M	[mm]	M12x125	M16x150	M20x150	M27x200	M33x200
K*	[mm]	14	17	22	30	36
n		1	1	1	2	2
r	[mm]	1	1	1	2	2

*For the rod type N, K does not exist.



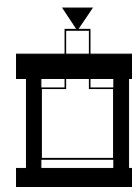
BCD SERIES :

Cylindrical cylinder with stroke on demand.
Feeding ports with o-rings on the base plate.



Other locations of the positioning pin on request

BCD SERIES DIMENSIONS



BCD SERIES :

TYPE		BCD32	BCD40	BCD50	BCD63	BCD80
Piston	(mm)	32	40	50	63	80
Rod	(mm)	18	22	28	36	45
Pushing force for 100 bar	kN	8.0	12.5	19.6	31.1	50.2
Pulling force for 100 bar	kN	5.5	8.7	13.4	21	34.3

Strokes made on request

ø a	(mm)	120	120	140	170	210
ø b	(mm)	96	96	115	140	175
ø c	(mm)	72	72	90	108	135
f	(mm)	22	22	22	34	42
g*	(mm)	8	10	10	12	14
h	(mm)	9	9	11	17	21
j	(mm)	14	14	17	25	32
L	(mm)	48	48	63	73	85
LI	(mm)	63	63	78	88	100
ø v	(mm)	5	5	5	6	6
w	(mm)	15.8 x 2	15.8 x 2	15.8 x 2	15.8 x 2	15.8 x 2
O seals	(nitrile)	R9	R9	R9	R9	R9
O seals	(viton)	V9	V9	V9	V9	V9

* For the rods type N, g=0

Seals kits are available on stock.