

Angle drilling deburrers

BEW 309 E

Our top device when it comes to deburring in difficult-to-reach places, such as holes in cross holes. The height (excluding countersink) of the very low-wear drive head is just 15 mm and can, therefore, also reach very narrow places. The extremely quiet and light drive can be set from 0 to 900 RPM and has very low air consumption: 150 l/min.



Sink area/hole-Ø 2-6 mm
(HSS) 001 950 293 (incl.)
(HM) 001 950 299
Sink area/hole-Ø 2,5-10 mm
(HSS) 001 950 297



BEW 309 E

BEW 606

This angle-design machine allows you to deburr holes in very difficult-to-reach places, e.g. holes in cross holes, which have to be deburred from the inside. The measurement drawings below show the different head sizes. Adjustable speed from 0 to 600 RPM.



Sink area/hole-Ø 3,5-14 mm
Shaft hexagon 6,3 mm
001 950 294 (incl.)



BEW 606

BEW 606 K

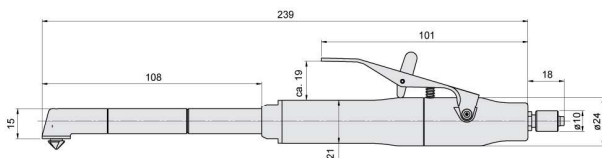
This variant of the proven BIAX hole deburrer has an improved leverage effect due to its shortness so that deburring can take place with little pressure.



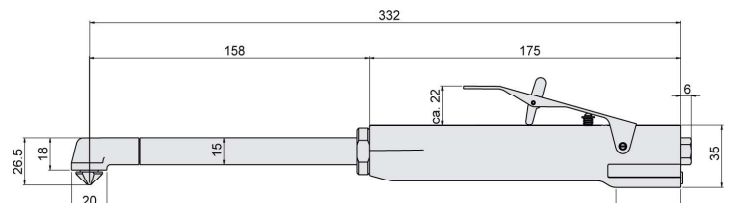
Sink area/hole-Ø 3,5-14 mm
Shaft hexagon 6,3 mm
001 950 294 (incl.)



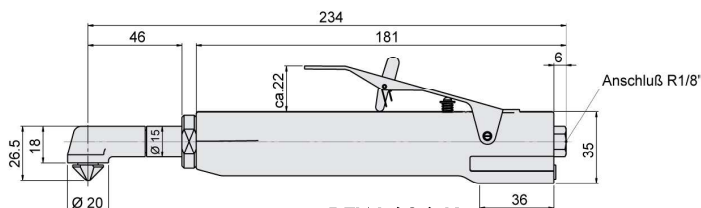
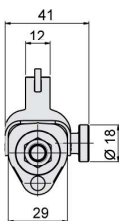
BEW 606 K



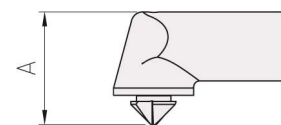
BEW 309 E



BEW 606



BEW 606 K



Dimension A - please see the table

Name	BEW 309 E	BEW 606	BEW 606 K	BEW 603
Valve	Lever valve	Lever valve	Lever valve	Lever valve
Exhaust air direction	backwards	backwards	backwards	backwards
Revolutions per minute [min ⁻¹]	0-900	0-600	0-600	0-300
Power [watts]	20	80	80	80
Air consumption [l/min]	150	300	300	300
Noise level [db (A)]	71	71	71	71
Weight [g]	240	810	630	630
Max. tool shank Ø [mm]	3 Skt	6,3 Skt.	6,3 Skt.	6,3 Skt.
Max. hole Ø [mm]	10	14	14	14
Countersink Ø [mm]	8 12	15	15	15
Head A at countersink [mm]	20,0 21,5	26,5	26,5	26,5
Hose unit	001 366 549 inclusive	001 366 548 inclusive	001 366 548 inclusive	001 366 548 inclusive
Order no.	150 800 726	150 810 925	150 810 927	150 810 926

Angle drilling deburrers

BEW 605



BEW 605

This angle-design machine allows you to deburr holes in hard to reach areas, e.g. holes in cross holes, which have to be deburred from the inside.



Sink area/hole - Ø 3,5-14 mm
(HSS) 001 950 295
Sink area/hole - Ø 5-24 mm
(HSS) 001 950 296

BEW 605 K

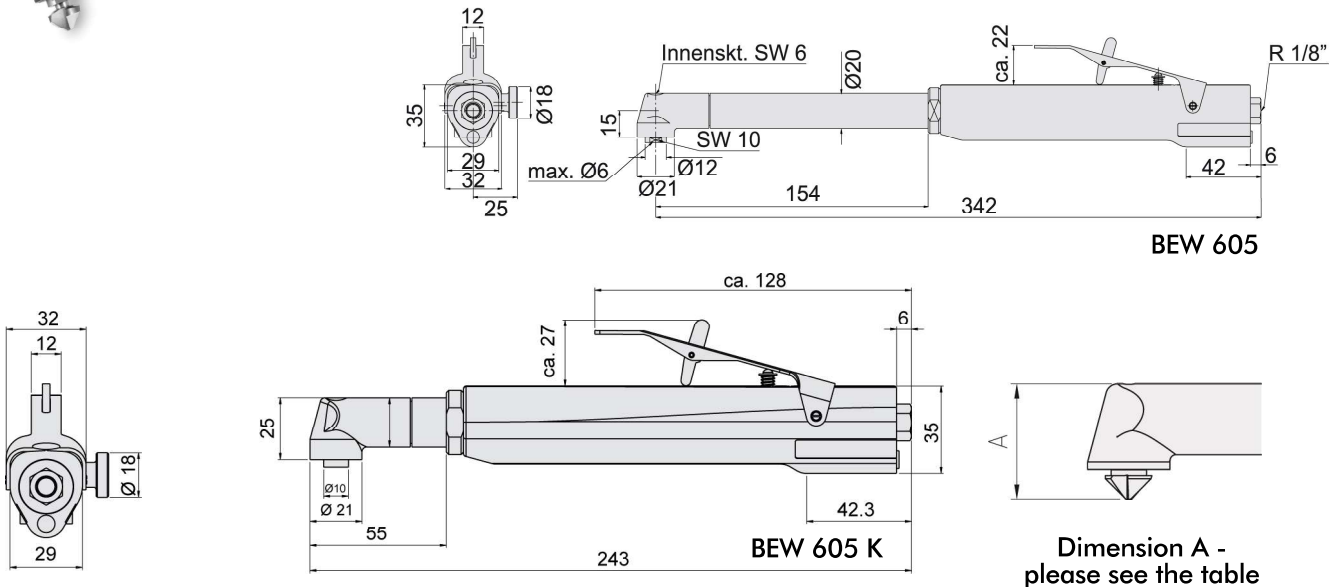


BEW 605 K

This variant of the proven BIAX hole deburrer has an improved leverage effect due to its shortness so that deburring can take place with little pressure.



Sink area/hole - Ø 3,5-14 mm
(HSS) 001 950 295
Sink area/hole - Ø 5-24 mm
(HSS) 001 950 296



BEW 605

BEW 605 K

Dimension A - please see the table

Name	BEW 605	BEW 605 K
Valve	Lever valve	Lever valve
Exhaust air direction	backwards	backwards
Revolutions per minute [min ⁻¹] adjustable	0-500	0-500
Power [watts]	80	80
Air consumption [l/min]	300	300
Noise level [db (A)]	71	71
Weight [g]	820	620
Max. tool shank Ø [mm]	6	6
Max. hole Ø [mm]	24	24
Countersink Ø [mm]	15 25	15 25
Head A at countersink [mm]	40 48	40 48
Collet	6 mm	6 mm
Hose unit	001 366 548 inclusive	001 366 548 inclusive
Order no.	150 810 930	150 810 931

We will send you measurement and exploded drawings on request.

Drilling deburrers

BE 309 BE 805 BE 1005

The straight drilling deburrers come in three different sizes for different holes.
The push start makes handling easier and you can also regulate the speed.

BEG 309

If it is not possible to set the countersink correctly, this lever version is recommended.

for BE 309 BEG 309



Sink area/hole - Ø 2-5,5 mm
(HSS) 001 950 292

for BE 805



Sink area/hole - Ø 3,5-14 mm
(HSS) 001 950 290
Sink area/hole - Ø 5-24 mm
(HSS) 001 950 291

for BE 1005



Sink area/hole - Ø 6-29 mm
(HSS) 001 950 341

Special countersinks available on request.

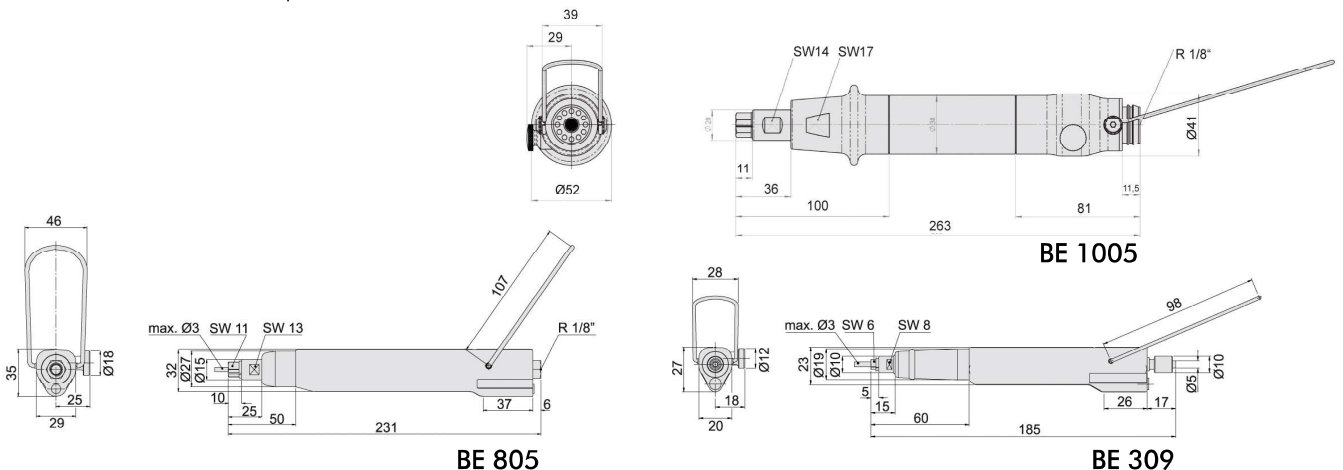


BE 309

BEG 309

BE 805

BE 1005



BE 805

BE 1005

BE 309

Name	BE 309	BEG 309	BE 805	BE 1005
Valve	Push start	Lever valve	Push start	Push start
Exhaust air direction	backwards	backwards	backwards	backwards
Revolutions per minute [min ⁻¹] adjustable	0-900	0-900	0-500	0-550
Power [watts]	20	20	80	200
Air consumption [l/min]	150	150	280	450
Noise level [db (A)]	71	71	71	76
Weight [g]	180	250	520	920
Max. tool shank Ø [mm]	3	3	8	10
Max. hole Ø [mm]	5,5	5,5	24	29
Countersink Ø [mm]	6	6	15 25	30
Collet	ZG 5/3 mm	ZG 5/3 mm	ZG 7/8 mm	ZG 8/10 mm
Hose unit	001 366 549 inclusive	001 366 549 inclusive	001 366 548 inclusive	001 366 578 inclusive
Order no.	150 800 710	150 800 745	150 810 901	150 800 800

We will send you measurement and exploded drawings on request.

Brushing tools

B 805 H



BE 805 H

This device is a version of the BE 805, which has a lever valve instead of a push start.

The control button on the side allows you to switch between clockwise and counterclockwise rotation.

The machine is superbly suited to brushing holes. By changing the direction of rotation the life of the brush can be increased many times over.

BWH 6-25/2

BWH 6-25/2 K 90



Drilling in difficult to access areas is no longer a problem with this angle drill with its long spindle and the small angle head.

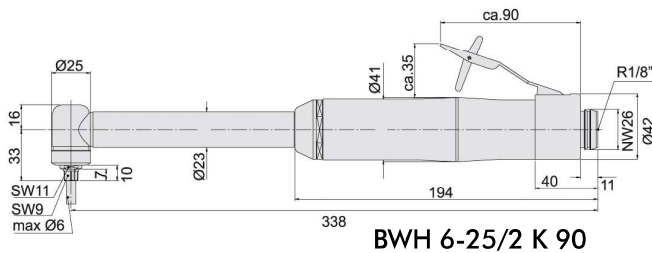
You can choose between the 90° or 45° versions.

But the machine is not just perfectly suited to drilling.

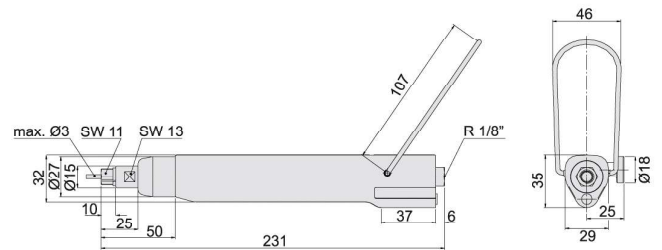
Brushes can also be attached to the angle head with its optimised gearbox mount.

Therefore, you can also use this machine for deburring, cleaning surfaces and refining metals, plastics and wood.

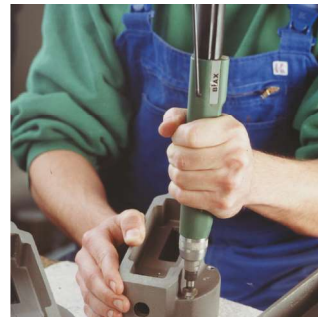
A real multitalent.



BWH 6-25/2 K 90



BE 805 H



BIAX offers a wide range of device versions so that have a suitable device for every application.

Name	BE 805 H	BWH 6-25/2 K90	BWH 6-25/2 K45
Valve	Lever valve	Lever valve	Lever valve
Exhaust air direction	backwards	backwards	backwards
Revolutions per minute [min ⁻¹]	500	2500	2500
Power [watts]	80	300	300
Air consumption [l/min]	280	500	500
Noise level [db (A)]	71	75	75
Weight [g]	570	1220	1240
Max. tool shank Ø [mm]	8	6	6
Collet chuck	ZG 7/8 mm	ZG 4/6 mm	ZG 4/6 mm
Hose unit	001 366 548 inclusive	001 366 578	001 366 578
Order no.	150 810 915	150 222 310	150 222 320

We will send you measurement and exploded drawings on request.

Tools for chiselling and engraving Tools for drilling 500 – 6.000 rpm

MD 100

This strong chisel is particularly suited to working with metal. It's construction is also light and powerful.

GMD 3

A device that is used for engraving and chiselling. The following accessories are included:

1 style made of hard metal, different chisels, a chisel blank and an extension pipe.

BP 500 BP 800 BP 1000 BP 2600 BP 4500 BP 6000

These six variants of the BIAX drills are particularly suited to robust use. Consequently, the tools have very good tractive power too.

Ergonomic handle, soft start, small size, Exhaust air outlet rotatable.



MD 100



GMD 3



BP 2600



other speeds, see table below

Chisel type MD 100



Flat chisel narrow 6 mm
Order number: 001 963 529



Flat chisel wide B 12,5 mm
Order number: 001 963 531



Flat chisel angled B 9 mm
Order number: 001 963 530

Chisel type GMD 3



Flat chisel narrow B 3 mm
Order number: 003 000 730



Flat chisel wide B 5 mm
Order number: 003 000 463



Nut chisel B 1 mm
Order number: 003 000 895



Hexagon blank 3 mm
Order number: 003 000 979



Style
Order number: 007 001 184

Chisel set, complete Order no: 007 000 979

Name	MD 100	GMD 3
Valve	Rotary valve	Rotary valve
Exhaust air direction	backwards	forwards
No. of strokes [min ⁻¹]	3000	3000
Air consumption [l/min]	130	80
Noise level [db (A)]	65	80
Weight [g]	530	100
Max. tool shank Ø [mm]	6 Skt.	3 Skt.
Hose unit	inclusive	001 366 539
Order no.	150 800 310	150 800 301

Name	BP 500	BP 800	BP 1000	BP 260A0	BP 4500	BP 6000
Speed [min ⁻¹ /rpm]	500	800	1000	2600	4500	6000
Power [watts]	160	160	160	160	160	160
Air consumption [l/min]	450	450	450	450	450	450
Sound pressure level [dB(A)]	72	72	74	75	74	74
Sound standard [ISO]	15744	15744	15744	15744	15744	15744
Weight [g]	740	740	740	700	700	700
Max. clamping-Ø [mm]	8	8	8	8	8	8
Connection thread	G1/8"	G1/8"	G1/8"	G1/8"	G1/8"	G1/8"
Vibration [m/s ²]	< 2,5	4,3	6,0	3,1	3,1	5,2
Vibration in accordance with [ISO]	28927-5	28927-5	28927-5	28927-5	28927-5	28927-5
Hose width [mm]	7	7	7	7	7	7
Hose unit	001 366 912	001 366 912	001 366 912	001 366 912	001 366 912	001 366 912
Order no.	150 210 100	150 210 200	150 210 300	150 210 000	150 210 400	150 210 500

We will send you measurement and exploded drawings on request.