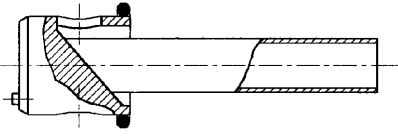
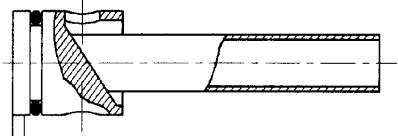
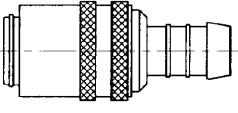
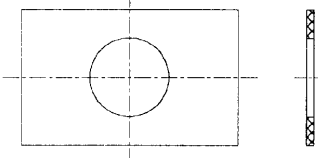

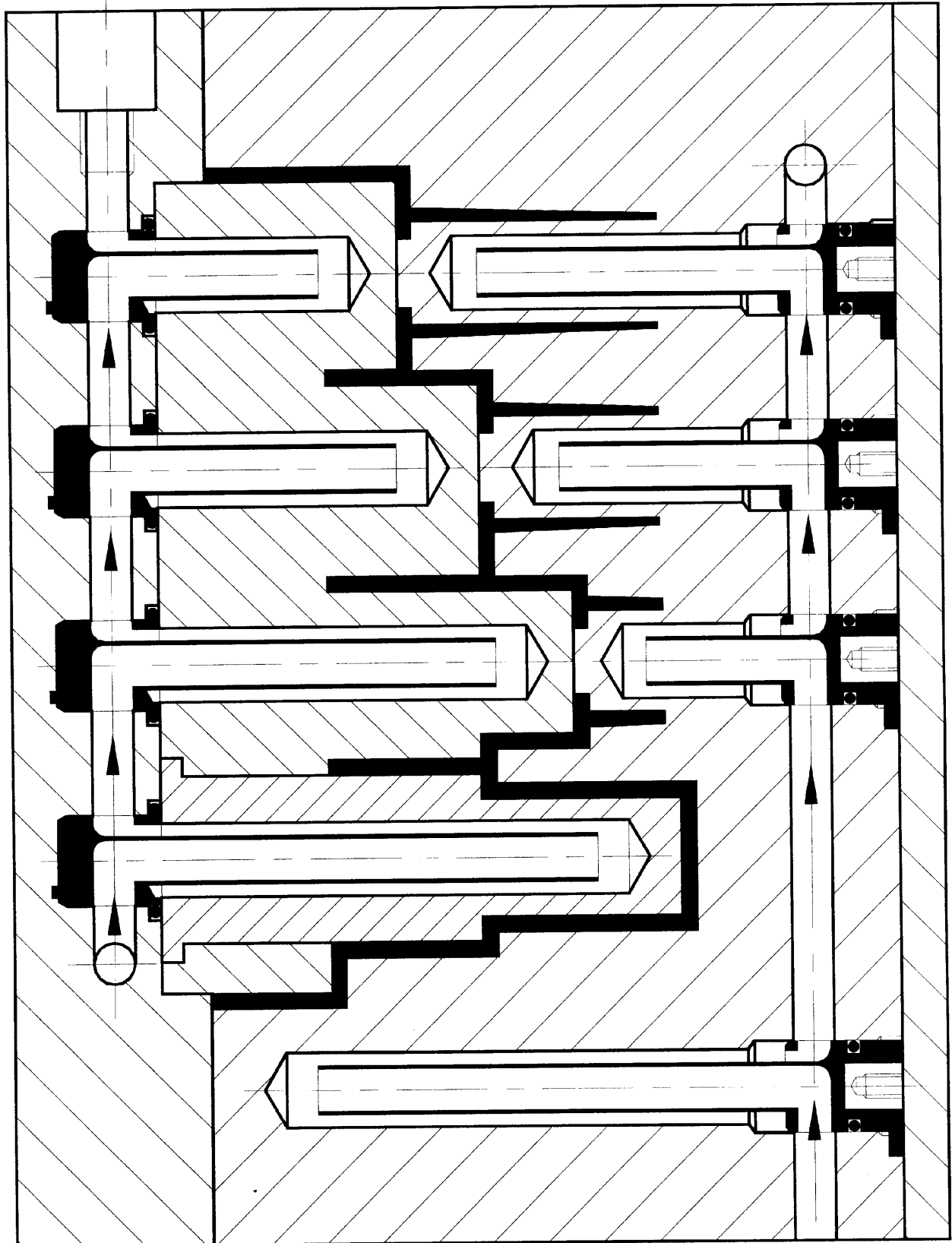
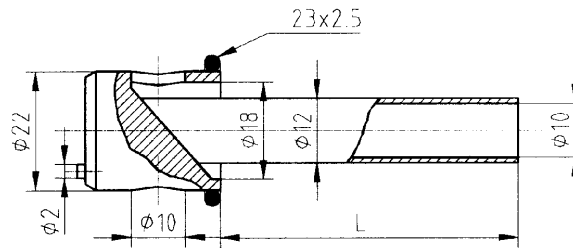
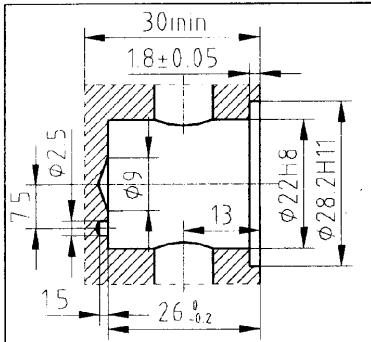


MDL



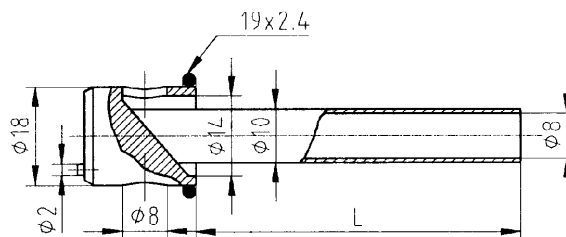
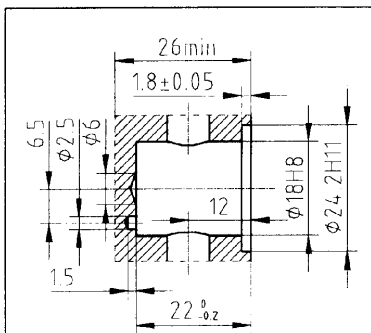
	<b>A65.xxx.xxx</b>	Élément de refroidissement	5.03
	<b>A66.xxx.xxx</b>	Élément de refroidissement	5.04
	<b>A91.xxx.xxx</b> <b>A92.xxx.xxx</b>	Connecteur	5.05 5.06 5.07
	<b>W10.xxx.xxx</b>	Plaque thermo-protectrice	5.08
	<b>W11.xxx.xxx</b>	Plaque thermo-protectrice	5.08





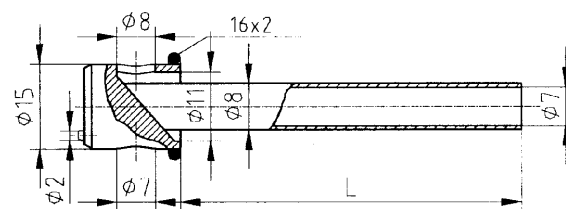
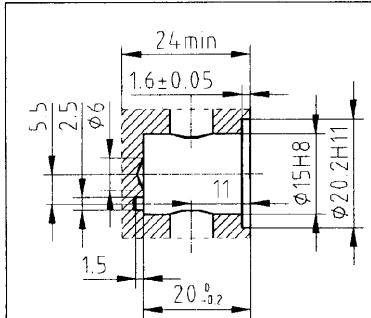
A65.012.xxx

∅	L	Référence
12	100	A65.012.100
	200	A65.012.200
	300	A65.012.300



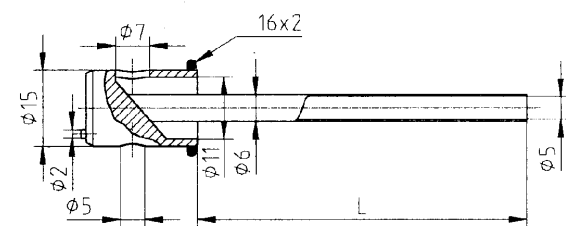
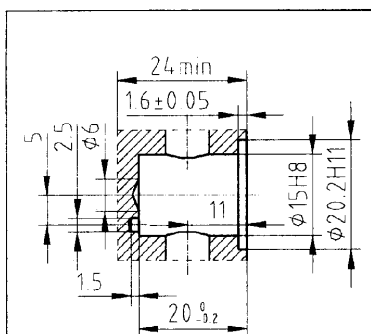
A65.010.xxx

∅	L	Référence
10	100	A65.010.100
	200	A65.010.200
	300	A65.010.300



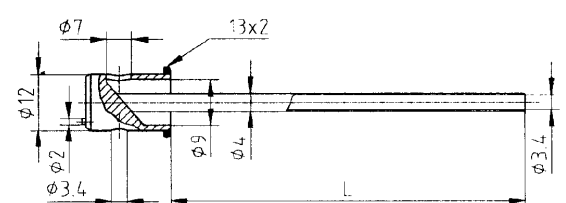
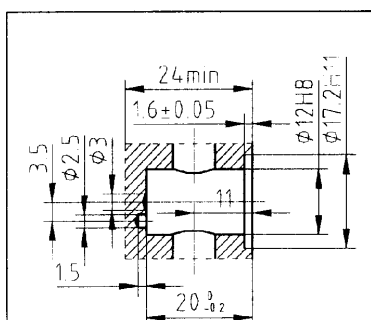
A65.008.xxx

∅	L	Référence
8	100	A65.008.100
	200	A65.008.200
	300	A65.008.300



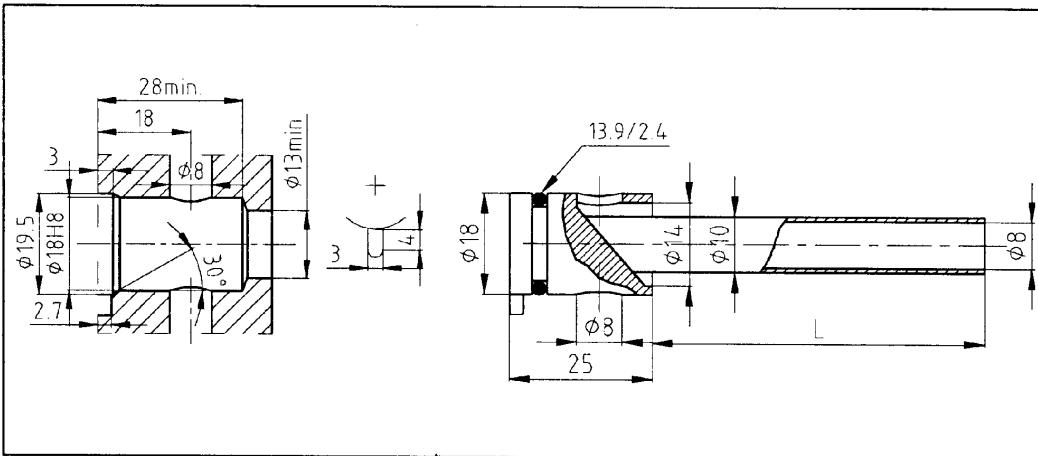
A65.006.xxx

∅	L	Référence
6	100	A65.006.100
	200	A65.006.200
	300	A65.006.300



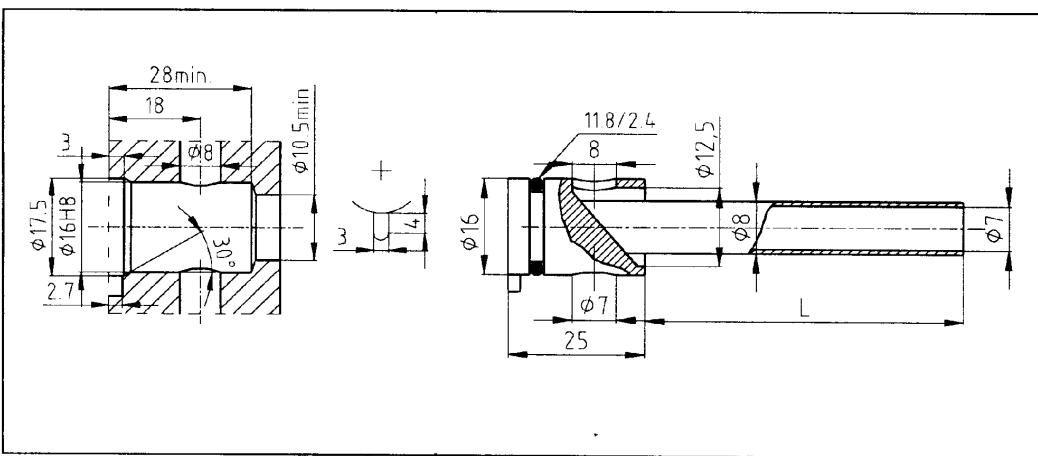
A65.004.xxx

∅	L	Référence
4	100	A65.004.100
	200	A65.004.200
	300	A65.004.300



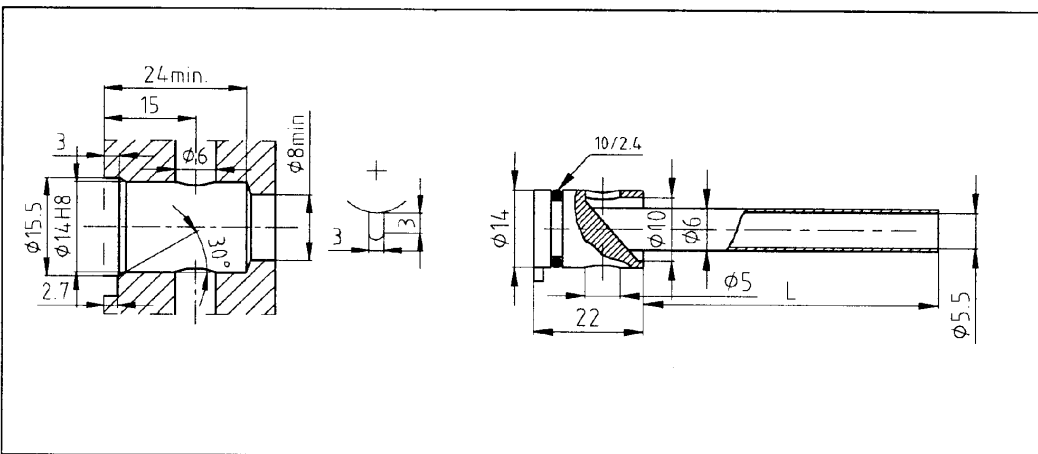
A66.010.xxx

ø	L	Référence
10	105	A66.010.105
	205	A66.010.205
	305	A66.010.305



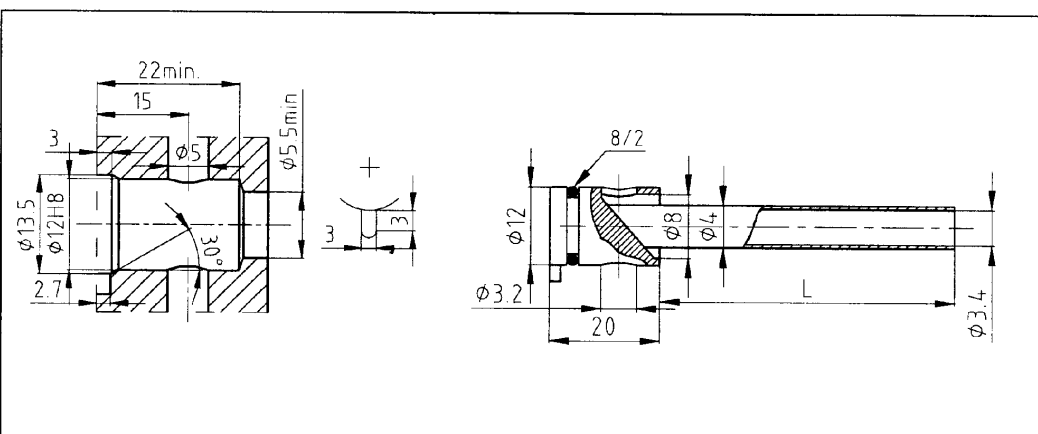
A66.008.xxx

ø	L	Référence
8	105	A66.008.105
	205	A66.008.205
	305	A66.008.305



A66.006.xxx

ø	L	Référence
6	105	A66.006.105
	205	A66.006.205
	305	A66.006.305



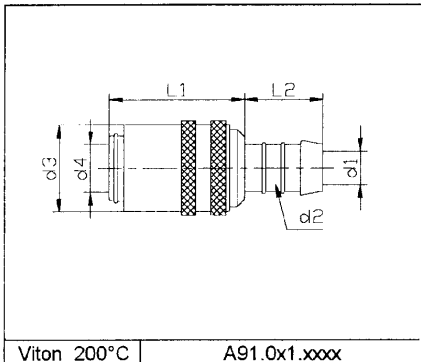
A66.004.xxx

ø	L	Référence
4	105	A65.004.105
	205	A65.004.205
	305	A65.004.305

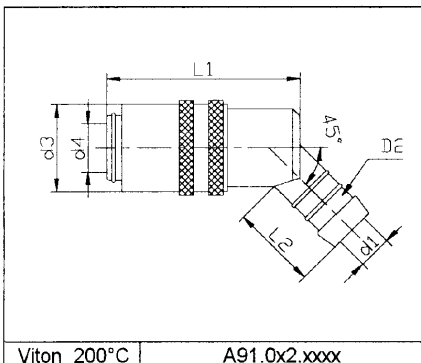


# CONNECTEUR

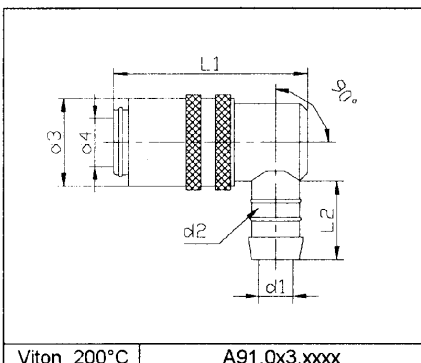
A91.xxx.xxxx  
A92.xxx.xxxx



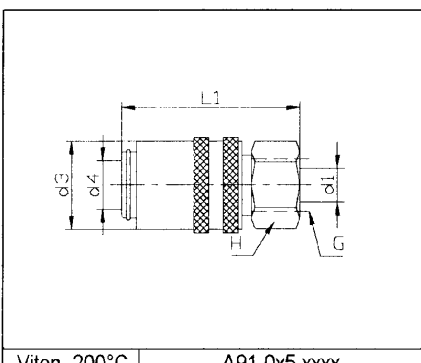
d4	d1	d2	d3	L1	L2		
9	4	6.3	17	30	18		
	6	8				A91.011.0406	A91.001.0406
		9.5				A91.011.0608	A91.001.0608
		12.7				A91.011.0609	A91.001.0609
13.5	10	12.7	22.5	36.5	21	A91.011.1012	A91.001.1012



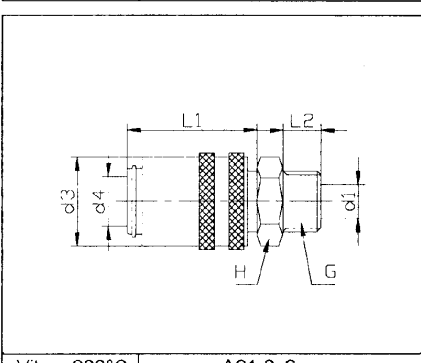
d4	d1	d2	d3	L1	L2		
9	4	6.3	17	41	20		
	6	8				A91.012.0406	A91.002.0406
		9.5				A91.012.0608	A91.002.0608
						A91.012.0609	A91.002.0609
13.5	10	12.7	22.5	52	25	A91.012.1012	A91.002.1012



d4	d1	d2	d3	L1	L2		
9	4	6.3	17	41	20		
	6	8				A91.013.0406	A91.003.0406
		9.5				A91.013.0608	A91.003.0608
						A91.013.0609	A91.003.0609
13.5	10	12.7	22.5	52	26	A91.013.1012	A91.003.1012



d4	d1	G	d3	L1	H		
9	6	M10x1	17	41	17		
		M14x1.5				A91.015.0610	A91.005.0610
		G1/4"				A91.015.0614	A91.005.0614
		G3/8"				A91.015.0654	A91.005.0654
13.5	10	M16x1.5	22.5	48	21		
		G3/8"				A91.015.0656	A91.005.0656
		G1/2"				A91.015.1016	A91.005.1016
						A91.015.1056	A91.005.1056

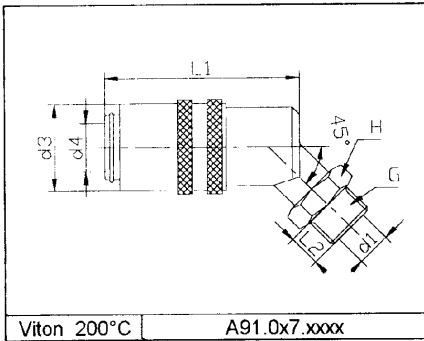


d4	d1	G	d3	L1	L2	H		
9	6	M10x1	17	36	10	17		
		M14x1.5					A91.016.0610	A91.006.0610
		G1/4"					A91.016.0614	A91.006.0614
		G3/8"					A91.016.0654	A91.006.0654
13.5	10	M16x1.5	22.5	42	10	21		
		G3/8"					A91.016.0656	A91.006.0656
		G1/2"					A91.016.1016	A91.006.1016
							A91.016.1056	A91.006.1056



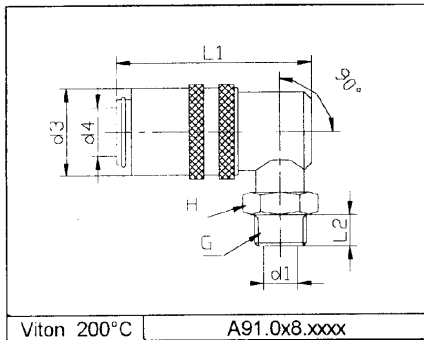
# CONNECTEUR

A91.xxx.xxxx  
A92.xxx.xxxx



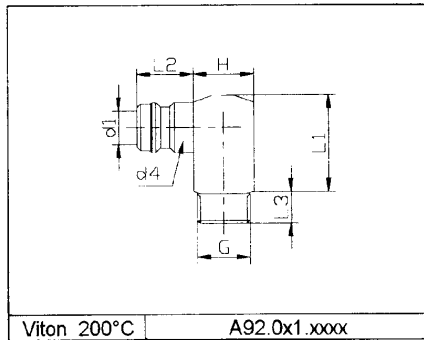
Viton 200°C A91.0x7.xxxx

d4	d1	G	d3	L1	L2	H		
9	6	M10x1	17	41	9	17		
		M14x1.5						
		G1/4"						
13.5	10	M16x1.5	22.5	52	10	17	A91.017.0610	A91.007.0610
							A91.017.0614	A91.007.0614
							A91.017.0654	A91.007.0654
							A91.017.1016	A91.007.1016



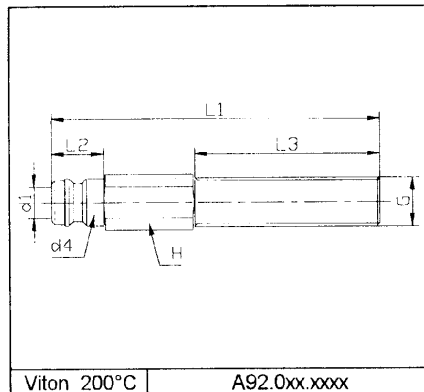
Viton 200°C A91.0x8.xxxx

d4	d1	G	d3	L1	L2	H		
9	6	M10x1	17	41	9	17		
		M14x1.5						
		G1/4"						
13.5	9	M16x1.5	22.5	52	10	17	A91.018.0610	A91.008.0610
							A91.018.0614	A91.008.0614
							A91.018.0654	A91.008.0654
							A91.018.1016	A91.008.1016



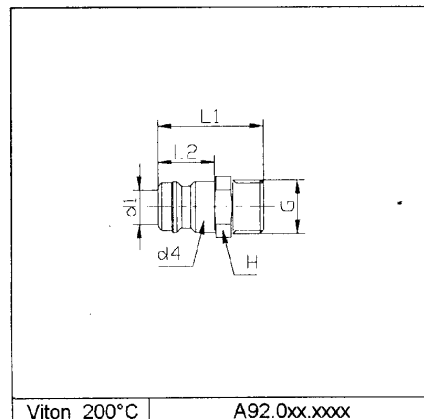
Viton 200°C A92.0x1.xxxx

d4	d1	G	H	L1	L2	L3		
9	6	M10x1	14.5	9	20	12		
		G1/8"				14		
		G1/4"				12		
		G3/8"				14		
		M14x1.5				17		
13.5	9	G1/4"	14	24	15	9		
		G3/8"	17			10		
		M14x1.5	14			9		
		M16x1.5	17			10		



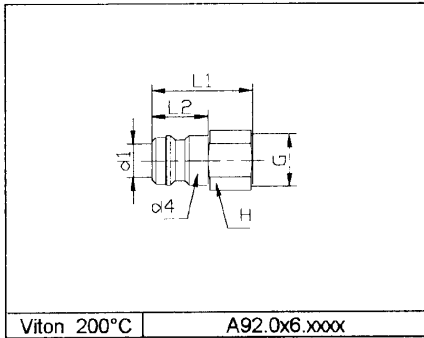
Viton 200°C A92.0xx.xxxx

d4	d1	G	H	L1	L2	L3							
9	6	M10x1	11	50	14.5	9							
		M14x1.5	14										
		G1/8"	11										
		G1/4"	14										
		M10x1	11										
		13.5	10	M14x1.5		14			100	15	60		
				G1/8"		11							
				G1/4"		14							
				G3/8"		17							
				G1/4"		14							
13.5	10	G3/8"	17	100	15	60							
		M14x1.5	14										
		M16x1.5	17										

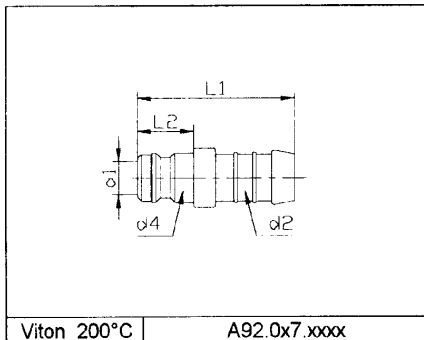


Viton 200°C A92.0xx.xxxx

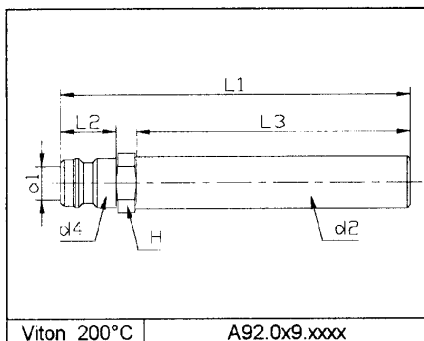
d4	d1	G	H	L1	L2							
9	6	M8x.075	11	28	18							
		M10x1	11	25								
		G1/8"	11	25								
		G1/4"	14	29/26								
		G3/8"	17	29/26								
		M14x1.5	14	29/26								
		M10x1	11	29								
		G1/8"	11	26								
		G1/4"	14	32								
		13.5	9	G1/8"				14	28	20		
				G1/4"				14	27	18		
				G3/8"				17	31	15		
				M14x1.5				14	29	19		
M16x1.5	17			32	19							



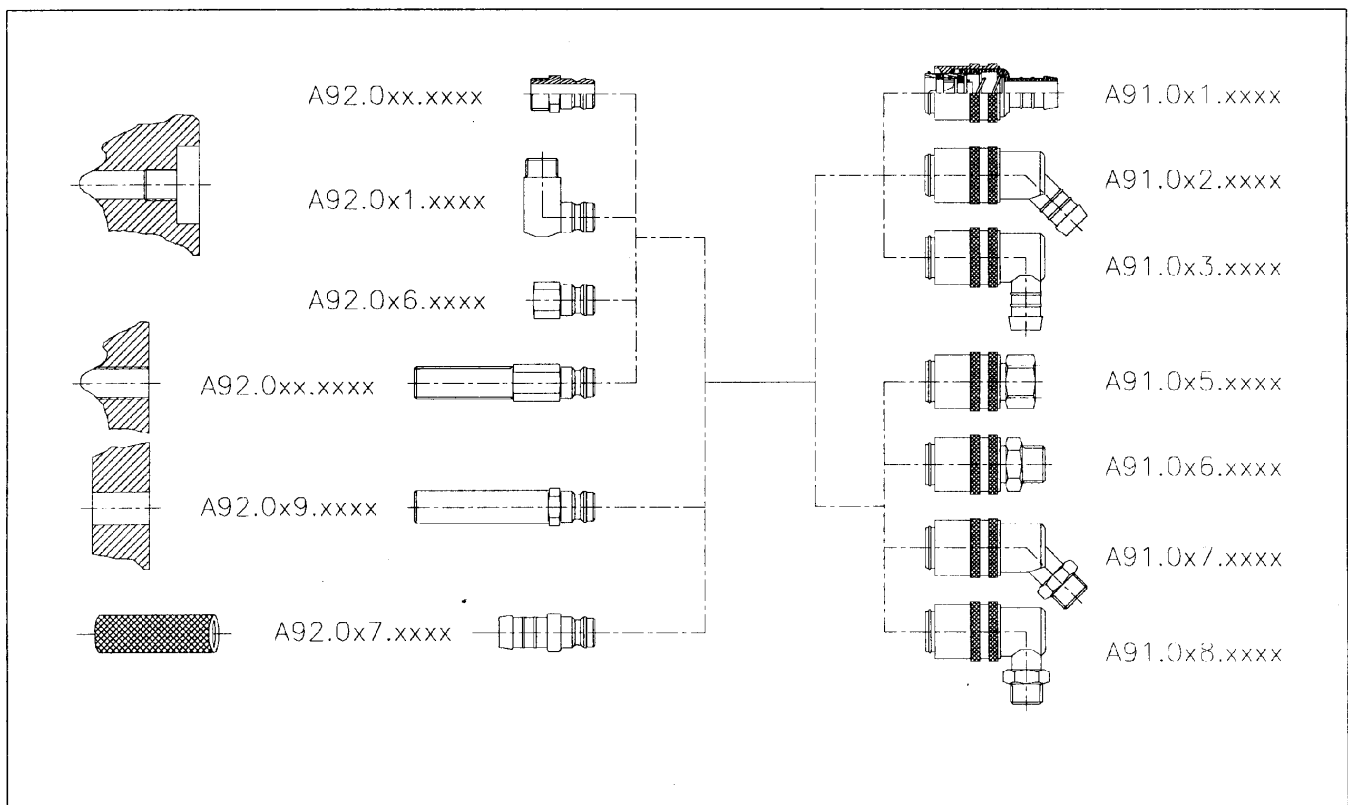
d4	d1	G	H	L1	L2		
9	6	G1/8"	14	27	14.5		A92.006.0652
		G1/4"	17				A92.006.0654



d4	d1	d2	L1	L2		
9	6	4.7	37	14.5		A92.007.0604
		6.3				A92.007.0606
		8				A92.007.0608
		9.5				A92.007.0609
		12.7				A92.007.0612
13.5	9	12.7	41.5	14.5		A92.007.0912



d4	d1	d2	H	L1	L2	L3		
9	6	10	11	120	14.5	99		A92.009.0612
				240		219		A92.009.0624
				360		339		A92.009.0636
13.5	10	14	14	150	15	130		A92.009.1015
				300				A92.009.1030
				450				A92.009.1045







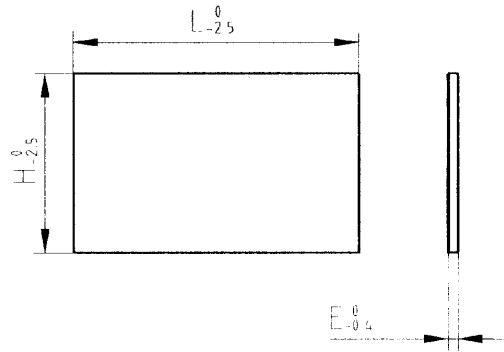
# PLAQUE THERMO-PROTECTRICE

W10.xxxx.xxx  
W11.xxxx.xxx

Matière : Résine synthétique  
Fibre de verre (sans amiante)

Caractéristiques :  
P max. (20°C) 450 N/mm<sup>2</sup> / (200°C) 250 N/mm<sup>2</sup>  
C° max. 220 °C continu / 280 °C pointes  
 $\lambda=0.24$  W/m.k

Exemple de commande :  
**Plaque Thermo-Protectrice**  
**H = 156 L = 246 E = 5**  
Veuillez indiquer : Réf **W10.1524.005**



H	L	E	Référence
156	156	3	W10.1515.003
	156	5	W10.1515.005
	196	3	W10.1519.003
	196	5	W10.1519.005
	246	3	W10.1524.003
	246	5	W10.1524.005
196	196	3	W10.1919.003
	196	5	W10.1919.005
	246	3	W10.1924.003
	246	5	W10.1924.005
	296	5	W10.1929.005
	346	5	W10.1934.005
218	246	5	W10.2124.005
	296	5	W10.2129.005

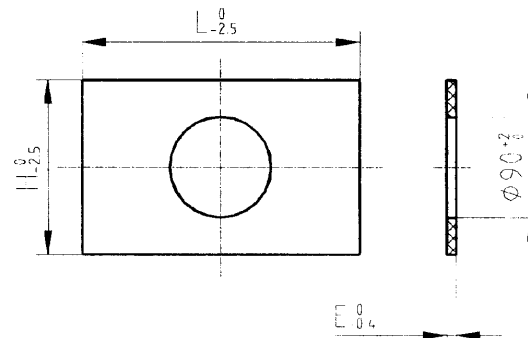
H	L	E	Référence
246	246	5	W10.2424.005
	246	7	W10.2424.007
	296	5	W10.2429.005
	296	7	W10.2429.007
	346	5	W10.2434.005
	346	7	W10.2434.007
296	396	5	W10.2439.005
	396	7	W10.2439.007
	296	5	W10.2929.005
	296	7	W10.2929.007
	296	8,5	W10.2929.008
	346	7	W10.2934.007
296	346	8,5	W10.2934.008
	396	7	W10.2939.007
	396	8,5	W10.2939.008

H	L	E	Référence
296	446	7	W10.2944.007
	496	8,5	W10.2949.008
346	346	7	W10.3434.007
	346	8,5	W10.3434.008
	396	7	W10.3439.007
	396	8,5	W10.3439.008
	446	8,5	W10.3444.008
	496	7	W10.3449.007
396	496	8,5	W10.3449.008
	396	7	W10.3939.007
	396	8,5	W10.3939.008
	446	7	W10.3944.007
	446	8,5	W10.3944.008
	496	8,5	W10.3949.008

Matière : Résine synthétique  
Fibre de verre (sans amiante)

Caractéristiques :  
P max. (20°C) 450 N/mm<sup>2</sup> / (200°C) 250 N/mm<sup>2</sup>  
C° max. 220 °C continu / 280 °C pointes  
 $\lambda=0.24$  W/m.k

Exemple de commande :  
**Plaque Thermo-Protectrice**  
**H = 156 L = 246 E = 5**  
Veuillez indiquer : Réf **W11.1524.005**



H	L	E	Référence
156	156	3	W11.1515.003
	156	5	W11.1515.005
	196	3	W11.1519.003
	196	5	W11.1519.005
	246	3	W11.1524.003
	246	5	W11.1524.005
196	196	3	W11.1919.003
	196	5	W11.1919.005
	246	3	W11.1924.003
	246	5	W11.1924.005
	296	5	W11.1929.005
	346	5	W11.1934.005
218	246	5	W11.2124.005
	296	5	W11.2129.005

H	L	E	Référence
246	246	5	W11.2424.005
	246	7	W11.2424.007
	296	5	W11.2429.005
	296	7	W11.2429.007
	346	5	W11.2434.005
	346	7	W11.2434.007
296	396	5	W11.2439.005
	396	7	W11.2439.007
	296	5	W11.2929.005
	296	7	W11.2929.007
	296	8,5	W11.2929.008
	346	7	W11.2934.007
296	346	8,5	W11.2934.008
	396	7	W11.2939.007
	396	8,5	W11.2939.008

H	L	E	Référence
296	446	7	W11.2944.007
	496	8,5	W11.2949.008
346	346	7	W11.3434.007
	346	8,5	W11.3434.008
	396	7	W11.3439.007
	396	8,5	W11.3439.008
	446	8,5	W11.3444.008
	496	7	W11.3449.007
396	496	8,5	W11.3449.008
	396	7	W11.3939.007
	396	8,5	W11.3939.008
	446	7	W11.3944.007
	446	8,5	W11.3944.008
	496	8,5	W11.3949.008