



INDICE

04 COMPANY PROFILE

07 PLASTIC MATERIAL

08	PA	standard flat conveyor
09	PAR	conveyor with adjustable flat upper section
10	PA ROBOT	conveyor to work with Robot
11	N-CPR	conveyor
12	N-CPTR	conveyor
13	N-CPST	conveyor with paddle separator
14	SR-SM	separators
15	FSRV	spiral separator with base
16	EV 600	elevator
17	EV 800 - 1000	elevators
18	DUCK	dispenser
19	TVC-TVS	turntables
20	STORAGE SYSTEMS	

23 METAL DETECTOR

24	METAL DETECTOR	plate
25	METAL DETECTOR	tunnel

27 PLASTIC BELT plastic belt conveyors

31 METAL BELT metal belt conveyors

35 PET

36 PET SOFT DROP device
37 T-CONVEYOR conveyor

39 LOW COST

40 N-PA *low cost flat conveyor*
41 N-CPR *low cost conveyor*
42 N-CPTR *low cost conveyor*
43 N-CPST *low cost conveyor with paddle separator*

45 TECHNICAL INFO

46 MB TOP CONTROL PANEL control panel

Company Profile



Producing custom-made solutions, machinery and systems for every application and need in the field of industrial handling: this is how MB Conveyors pursue their company mission.

MB Conveyors boast 25 years of background and experience in mechanics which explains their passion for the product and careful attention to detail.

System functionality and profitability, service and customer care, research and development supported by experts and processes; these are the main components of a value chain that starts and ends in seamless integration between the company and our customers.

Quality is assured by performing rigorous tests along every step of the production line, using the latest generation production systems and choosing only the highest quality materials.

The team at MB Conveyors has always placed customer ideas at the center of their work where they express their professionalism.





HISTORY

MB Conveyors, 1985-2010: 25 years of continuing development.

1985 MB Conveyors is founded.

The first company in the industrial handling sector to manufacture custom-made machinery based on specific customer needs.

1986 MB Conveyors takes part in Europlast Paris trade show.

1993 Aluminum profiles replace sheet metal.

A simple change in material that led to decisive results: faster cycles and higher functionality for systems.

1995 The first conveyors for the PET sector are manufactured.

1996 Development and introduction of an MB control panel for conveyors.

1998 MB Conveyors moves and expands their production facilities.

2002 The PET sector production facilities are extended.

2010 MB Conveyors celebrates 25 years of business marked by extensive know-how in designing, building and installing industrial handling systems.

The company continues to maintain its role as a world class leader in the sector by investing in the search for new models, new operating systems, new development paths and gaining an increasing share of world markets.

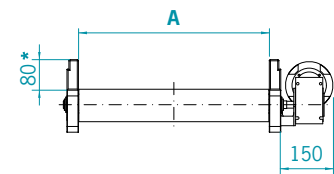
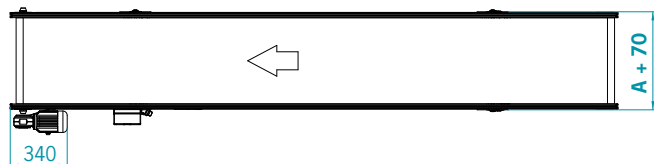
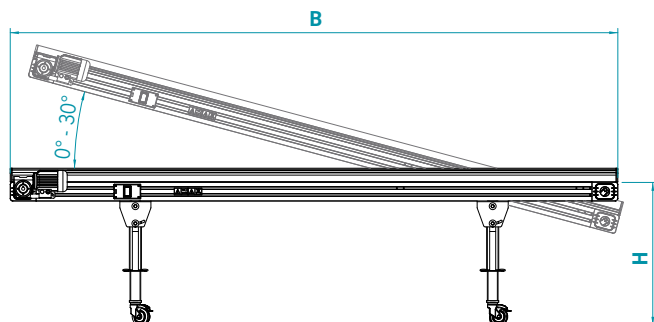
PLASTIC MATERIAL

PA standard flat conveyor



- Sturdy frame made of primary extrusion aluminium section, Alloy 6060, protected by anodisation average thickness 15 micron.
- Standard cut-proof, oil-proof belt, with smooth green Polyurethane covering (ref. Pantone 320); vulcanised belt joint.
- Minimum and maximum temperature resistance of belt: -10°C to +90°C.
- Standard transmission group consisting of 0.12 kW, three-phase, asynchronous motor coupled with worm reduction unit with permanent lubrication.
- Fixed standard conveyor speed 3 m/min.
- Conveyor complete with Siemens Start and Stop switch/motor cut-out, with 5 m cable and 4P CE plug (3 phases+ground).
- Standard motor supply voltage 400 Volts/50 Hz.

STANDARD DIMENSIONAL FEATURES



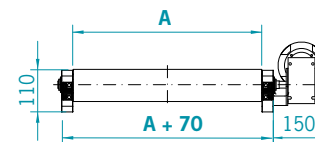
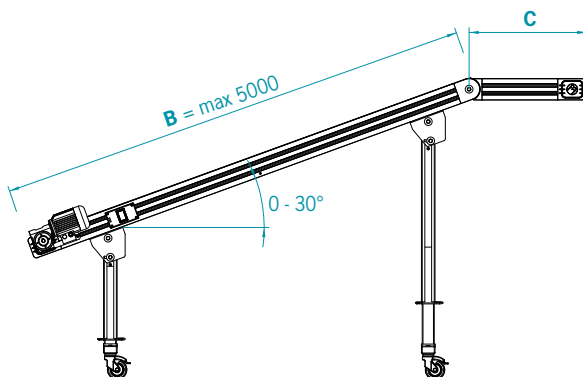
*Standard removable side panels 80 mm h

A	B	H
min 100 mm	min 600 mm	min 200 mm
max 2000 mm	max 60 mt	max 2000 mm



- Sturdy frame made of primary extrusion aluminium section, Alloy 6060, protected by anodisation average thickness 15 micron.
- Standard cut-proof, oil-proof belt, with green high grip PVC covering (ref. Pantone 320); vulcanised belt joint.
- Minimum and maximum temperature resistance of belt: -10°C to +60°C.
- Standard transmission group consisting of 0.12 kW, three-phase, asynchronous motor coupled with worm reduction unit with permanent lubrication.
- Fixed standard conveyor speed 3 m/min.
- Conveyor complete with Siemens Start and Stop switch/motor cut-out, with 5 m cable and 4P CE plug (3 phases+ground).
- Standard motor supply voltage 400 Volts/50 Hz.

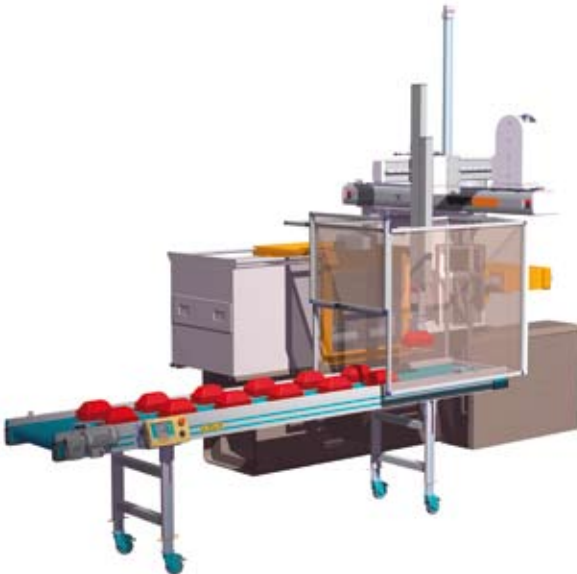
STANDARD DIMENSIONAL FEATURES



A	B	C
min 100 mm	min 600 mm	min 600 mm
max 1200 mm	max 5000 mm	max 1000 mm



EXAMPLE OF APPLICATION



PA for Robot with Polycarbonate guards

- The photo alongside shows the PA conveyor complete with polycarbonate guards. The PA model conveyor (110x30 mm lateral section) is found to be the most suitable for this purpose because of:
 - the sturdiness and solidity of the structure;
 - the possibility of installing/removing the containment side panels;
 - possibility of installing control photocells above the side panels and inside these;
 - facility of installation of the Robot protection structure.

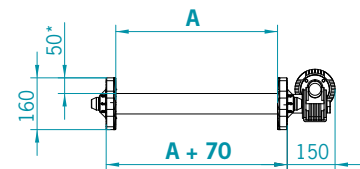
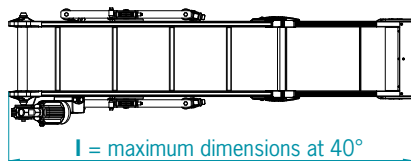
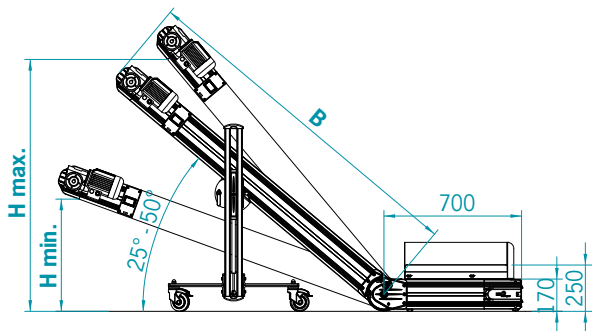
PA to work with Robot

- The image alongside shows a PA conveyor, positioned beside the IMM, for collecting and conveying the products deposited by the Robot.
- In this image, the Robot stacks the product one on top of the other and, after completing this operation, it sends a consent for Start to the conveyor MB control panel.
- After receiving the signal (A/C voltage-free signal) from the Robot, the control panel activates timed forward movement of the conveyor.



- Sturdy frame made of primary extrusion aluminium section, Alloy 6060, protected by anodisation treatment thickness 15 micron.
- Standard cut-proof, oil-proof belt, with smooth green Polyurethane covering (ref. Pantone 320); with heat-welded slats $h = 30\text{mm}$ with pitch 400mm ; vulcanised belt joint.
- Minimum and maximum temperature resistance of belt -10°C to $+90^{\circ}\text{C}$.
- Standard transmission group consisting of 0.12 kW three-phase, asynchronous motor coupled with worm reduction unit with permanent lubrication.
- Fixed standard conveyor speed 3 m/min .
- Conveyor complete with Siemens Start and Stop switch/motor cut-out, with 5 m cable and 4P CE plug (3 phases+ground).
- Standard motor supply voltage $400\text{ Volts}/50\text{ Hz}$.

STANDARD DIMENSIONAL FEATURES



*Standard side panels 50 mm h that are not removable

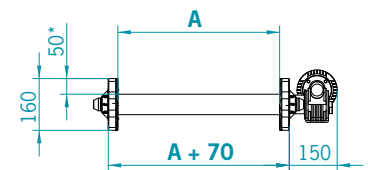
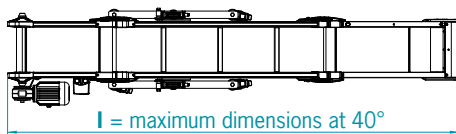
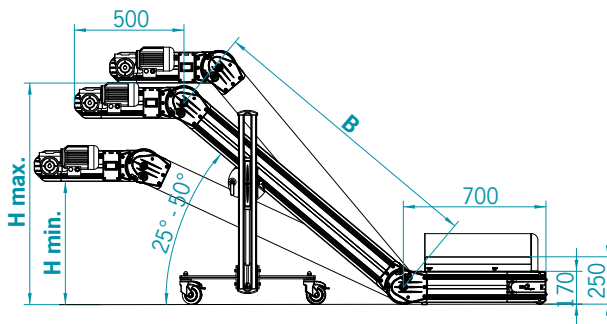
	A	B	H min	H max	I a 40°
N-CPR.0	140 mm	1500 mm	650 mm	1150 mm	2000 mm
N-CPR.1	240 mm	1500 mm	650 mm	1150 mm	2000 mm
N-CPR.2	340 mm	1800 mm	800 mm	1400 mm	2250 mm
N-CPR.3	440 mm	2000 mm	850 mm	1550 mm	2400 mm
N-CPR.4	540 mm	2000 mm	850 mm	1550 mm	2400 mm

N-CPTR conveyor



- Sturdy frame made of primary extrusion aluminium section, Alloy 6060, protected by anodisation treatment thickness 15 micron.
- Standard cut-proof, oil-proof belt, with smooth green Polyurethane covering (ref. Pantone 320); with heat-welded slats $h=30\text{mm}$ with pitch 400 mm; vulcanised belt joint.
- Minimum and maximum temperature resistance of belt -10°C to $+90^{\circ}\text{C}$.
- Standard transmission group consisting of 0.12 kW three-phase, asynchronous motor coupled with worm reduction unit with permanent lubrication.
- Fixed standard conveyor speed 3 m/min.
- Conveyor complete with Siemens Start and Stop switch/motor cut-out with 5 m cable and 4P CE plug (3 phases+ground).
- Standard motor supply voltage 400 Volts/50 Hz.

STANDARD DIMENSIONAL FEATURES

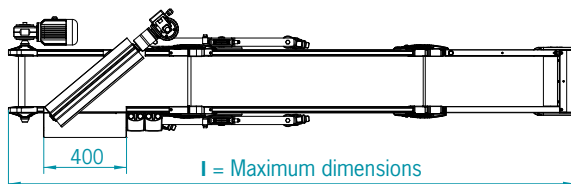
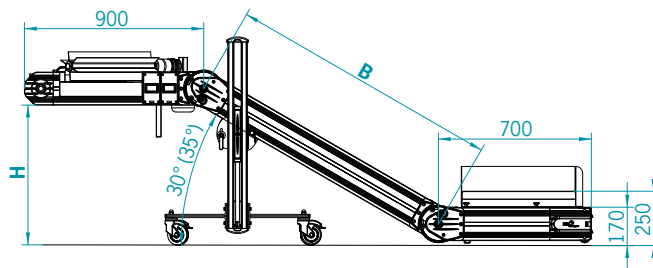


*Standard removable side panels 50 mm h

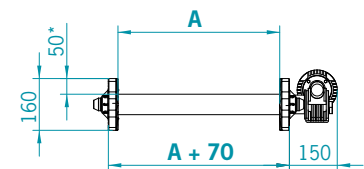
	A	B	H min	H max	I a 40°
N-CPTR.0	140 mm	1500 mm	650 mm	1150 mm	2500 mm
N-CPTR.1	240 mm	1500 mm	650 mm	1150 mm	2500 mm
N-CPTR.2	340 mm	1800 mm	800 mm	1400 mm	2750 mm
N-CPTR.3	440 mm	2000 mm	850 mm	1550 mm	2900 mm
N-CPTR.4	540 mm	2000 mm	850 mm	1550 mm	2900 mm



STANDARD DIMENSIONAL FEATURES



- Sturdy frame made of primary extrusion aluminium section, Alloy 6060, protected by anodisation treatment thickness 15 micron.
- Standard cut-proof, oil-proof belt, with high grip green PVC covering (ref. Pantone 320); vulcanised belt joint.
- Minimum and maximum temperature resistance of belt -10°C to +60°C.
- Standard transmission group of the conveyor consisting of 0.12 kW three-phase, asynchronous motor coupled with worm reduction unit with permanent lubrication.
- Standard transmission group of the separator consisting of 0.09 kW three-phase, asynchronous motor coupled with worm reduction unit with permanent lubrication and torque limiter.
- Fixed standard conveyor speed 3 m/min.
- Conveyor complete with Siemens Start and Stop double switch/motor cut-out (one for the conveyor and one for the separator), with 5 m cable and 4P CE plug (3 phases + ground).
- Standard motor supply voltage 400 Volts/50 Hz.



*Standard side panels 50 mm h that are not removable

	A	B	H min	H max	I a 30°
N-CPST.0	140 mm	1300 mm	650 mm	750 mm	2800 mm
N-CPST.1	240 mm	1300 mm	650 mm	750 mm	2800 mm
N-CPST.2	340 mm	1800 mm	900 mm	1030 mm	3250 mm
N-CPST.3	440 mm	1800 mm	900 mm	1030 mm	3250 mm

SR - SM separators



The SR – SM rotary drum separators are the most functional means for separating the product from the sprue.

- Each separator has its own Inverter for regulating the drum rotation speed. Possible adjustment range: minimum 4 rotations/minute, maximum 20 rotations/minute.
- Motor connection voltage: 220 Volts/50 Hz, single-phase.

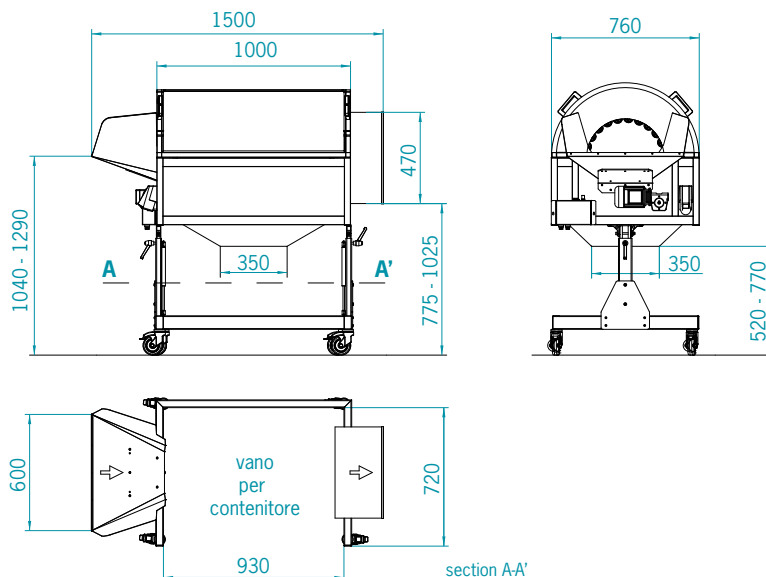
SR Separator

- Separator with rotary drum consisting of 24 PVC rollers having 50 mm diameter and 800 mm length (the distance between the rollers can be adjusted MANUALLY).

SM Separator

- Separator with perforated rotary drum made of AISI 304 sheet usually complete with small sprues anti-grip tubes (the diameter of the holes and the need for welding the anti-grip tubes depends on the shape of the product and the sprue).

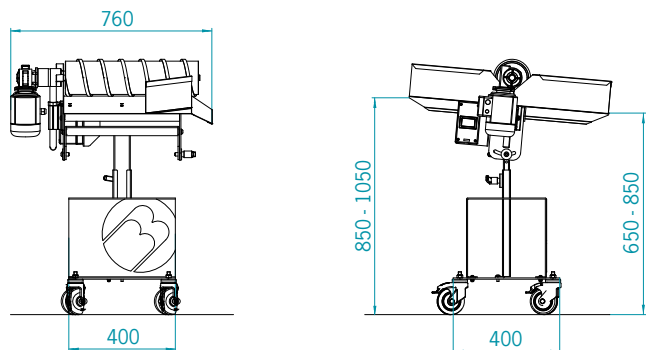
STANDARD DIMENSIONAL FEATURES





- Separator unit with independent base on the ground (for positioning in front of the conveyor only when required).
- Separator chute made of mirror-polished AISI 304.
- Transmission group positioned on the right side, power 0.09 kW, complete with torque limiter.
- Separator roller rotation speed: 70 rpm.
- Separator Start/Stop by means of Siemens switch/motor cut-out.
- Standard motor supply voltage 400 Volts/50 Hz.

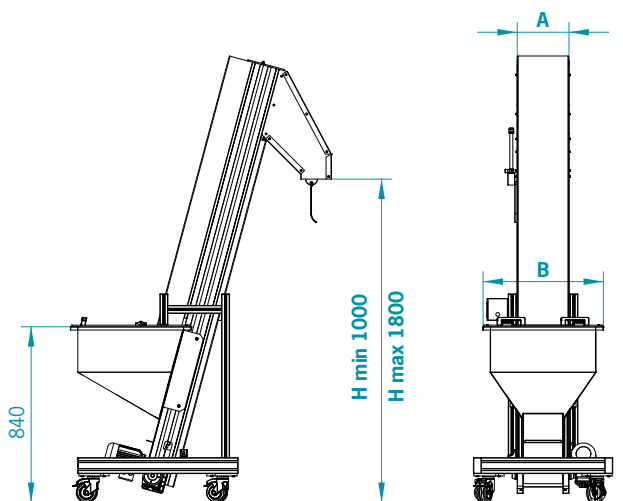
STANDARD DIMENSIONAL FEATURES



EV 600 elevator



STANDARD DIMENSIONAL FEATURES



- Sturdy frame made of primary extrusion aluminium section, Alloy 6060, protected by anodisation treatment thickness 15 micron.
- Standard cut-proof, oil-proof belt, with smooth green Polyurethane covering (ref. Pantone 320); with heat-welded slats h=30 mm pitch 150 mm; vulcanised belt joint.
- Minimum and maximum temperature resistance of belt -10°C to +90°C.
- Standard transmission group consisting of 0.18 kW three-phase, asynchronous motor coupled with worm reduction unit with permanent lubrication.
- Fixed standard conveyor speed 12 m/min.
- Conveyor complete with Siemens Start and Stop switch/motor cut-out with 5 m cable and 4P CE plug (3 phases+ground).
- Standard motor supply voltage 400 Volts/50 Hz.

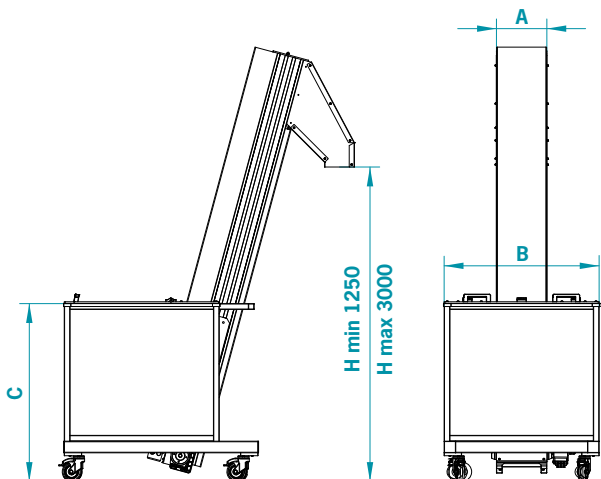
- Elevator hopper made of 2 mm thick AISI 304.
- Elevator unloading chute made of 2 mm thick AISI 304 stainless steel complete with inner coating applied on the surface in contact with the product.

A	B	HOPPER CAPACITY
200 mm	600 mm	80 liters



- Sturdy frame made of primary extrusion aluminium section, Alloy 6060, protected by anodisation treatment thickness 15 micron.
- Standard cut-proof, oil-proof belt, with smooth green Polyurethane covering (ref. Pantone 320); with heat-welded slats h=30/50 mm pitch 150 mm; vulcanised belt joint.
- Minimum and maximum temperature resistance of belt -10°C to +90°C.
- Standard transmission group consisting of 0.18 kW three-phase, asynchronous motor coupled with worm reduction unit with permanent lubrication.
- Fixed standard conveyor speed 12 m/min.
- Conveyor complete with Siemens Start and Stop switch/motor cut-out with 5 m cable and 4P CE plug (3 phases+ground).
- Standard motor supply voltage 400 Volts/50 Hz.

STANDARD DIMENSIONAL FEATURES



- Elevator hopper consisting of an outer frame made of aluminium sections with walls made of painted sheet metal and inner cladding made of 2 mm thick AISI 304 stainless steel sheet.

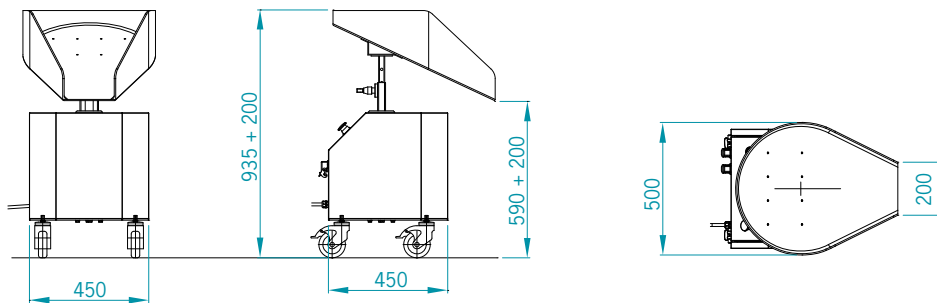
	A	B	C	HOPPER CAPACITY
EV 800	200 mm	800 mm	930 mm	185 liters
EV 801	300 mm	800 mm	930 mm	185 liters
EV 1000	300 mm	1000 mm	1130 mm	410 liters

DUCK dispenser



- Duck dispenser can work with two different methods not compatible with one another:
 - using an A/C voltage-free signal, coming from the IMM at each moulding cycle;
 - setting the filling time for each container.
- The chute of the DUCK can rotate through 360° and can conduct the product to any point of the route.
- Capacity: do not exceed 2 kg for each product.
- Installed power of motor for chute rotation: 0.06 kW.
- Standard motor supply voltage: 400 Volts/50 Hz.

STANDARD DIMENSIONAL FEATURES



NOTE: When set as required, the DUCK can convey the product in a number of points inside the same container, avoiding pyramid accumulation of the product.



TVC



TVS

The turntables start from a basic model called the TV and then, depending on their use, are characterized as:

- TVC model: turntables for containers;
- TVS model: turntables for bags.

- Technical features of basic turntable model called the TV:

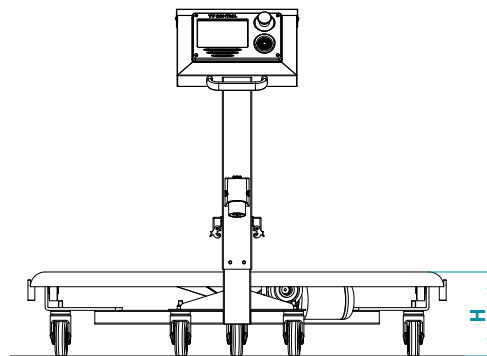
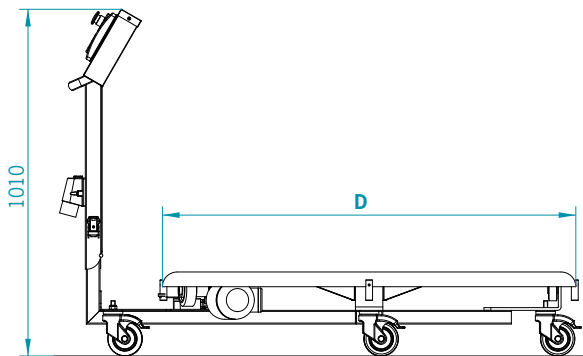
- disc made of 4mm thick AISI 430 on which tables rest.

- The features of the TVC (turntable for containers) and TVS (turntable for bags) are defined during the commercial offer.

Model and features depending on the type and dimensions of the container.

- Standard tables motor supply voltage 400 Volts/50 Hz.

STANDARD DIMENSIONAL FEATURES



	D	H	CAPACITY	ROTATION SPEED
TV.1	1200 mm	250 mm	120 Kg	2,2 rpm
TV.2	1450 mm	250 mm	140 Kg	1,7 rpm

STORAGE SYSTEMS



CAV - Vertical carousel

- The drawing alongside shows a vertical carousel with two work floors with side lift.
- The upper conveyor is filled of empty containers. As a container is filled a lift transfers it to the bottom conveyor.
- The area of vertical movement of the lift is complete with a special protection device.



CAR - Horizontal carousel

- The image alongside shows an horizontal carousel for containers.
- The empty containers are positioned on the mobile frames of the CAR and are moved by a chain mechanism.



CAV - Vertical carousel

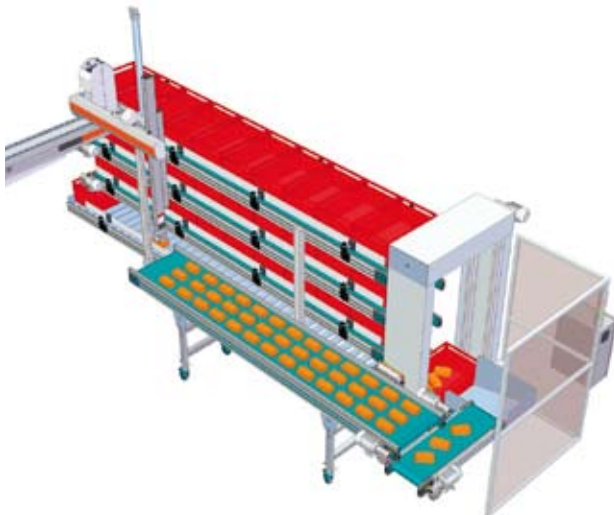
- The drawing alongside shows the filling of the container using an EV 1000 elevator.
- The drawing alongside, together with the previous and subsequent ones, shows the numerous possibilities of the vertical carousel and the range of conveyors it can use for filling containers.

STANDARD DIMENSIONAL FEATURES



Storage system with product count by weighing

- Note the weighing hopper complete with weighing cell and the PA conveyor installed underneath for collecting the weighed product and unloading it into the container.
- Note the independent base where the weighing hopper is installed: this solution is necessary to avoid dangerous vibrations during the weighing.
- This system is characterised by the elevated weighing precision which provides the exact quantity of product to be stored in the container.



CAV - Vertical carousel with product count by weighing

- The product is deposited by the Robot on the PA conveyor, outside the system.
- A PA conveyor guides the product into the container placed on the conveyor provided with weighing cell.
- When filled, the container is sent by the lift for storage on the overlapped PA conveyors.
- These systems are custom-made according to requirements.

METAL DETECTOR

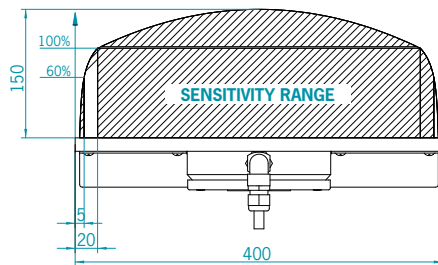


PLATE METAL DETECTOR



The drawing below shows the Plate Metal Detector inserted inside an N-CPR conveyor to detect metallic impurities when the material is being conveyed from the moulding unit to the recovery granulator.

The ideal use of the Plate Metal Detector is beside the IMM as there is an almost constant passage of material which usually is well distributed on the conveyor.

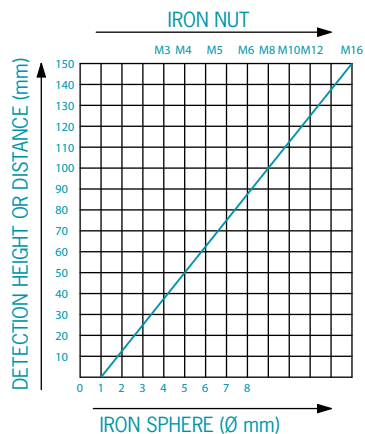


Sensitivity in %
in relation to the values shown in the diagram

EXAMPLE (Detection height or distance 20 mm)

100% = Fe Ø 3 mm sphere (see sensitivity diagram)

$(\text{Ø } 3 \text{ mm} : 100) \times (100 - 67) + \text{Ø } 3 \text{ mm} = \text{Ø } 4 \text{ mm}$



The detection sensitivity depends on the distance between the metallic part and the sensitive surface of the probe coil. The lesser the distance, the greater the sensitivity.

Typical sensitivity diameter for a 400 mm wide probe coil, in operating conditions, examining plastic rejects.

Sensitivity for other non-ferrous metals:

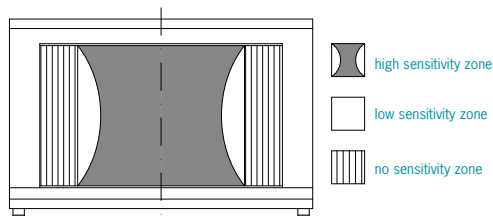
- VA = INOX (stainless steel)
- NON ferrous metals (Cu, Al, Brass)

It is possible to obtain:
- Fe sphere x factor 2



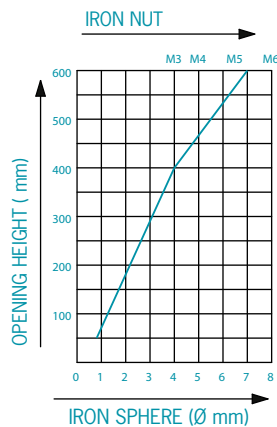
The drawing alongside shows the Tunnel Metal Detector installed on an MB conveyor for the detection of metallic impurities contained in large masses of material and/or in large sized products. These solutions are usually proposed in the field of recovery of plastic materials.

DISTRIBUTION OF SENSITIVITY



SENSITIVITY SPECIFICATIONS

It is necessary to consider that the coil does not produce a uniform electromagnetic field: there are sensitivity differences inside the passage compartment. The least sensitive area is in the centre of the passage compartment.



The detection sensitivity depends on the height of the opening of the Metal detector: the lesser the height the greater the sensitivity.

SENSITIVITY DIAGRAM

depending on the height of the opening (at the centre of the height considered)

Sensitivity for other non-ferrous metals:

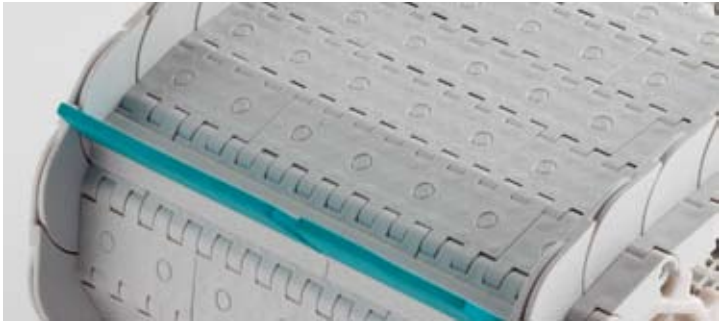
- VA = INOX (stainless steel)
- NON ferrous metals (Cu, Al, Brass)

It is possible to obtain:
- Fe sphere x factor 2

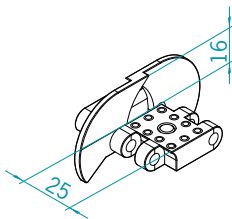
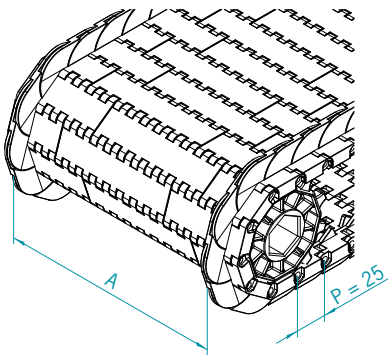
PLASTIC BELT



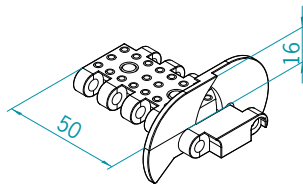
PLASTIC BELT conveyors



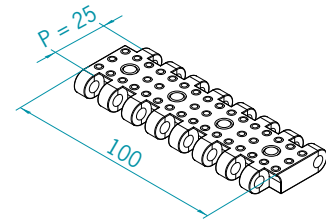
- The containment side edge does not open even during the rotation of the belt on the drive sprockets.
- The contact surface of the plastic belt is slightly high grip.
- Reinforced PP plastic belt, colour RAL 9002.
- Operating temperatures +1°C to about 90°C.
- Standard slat: h=35 mm modular, pitch min. 25 mm..
- Possibility of applying special slats depending on the customer's requirements.
- A = 75 to 775 mm (pitch 100 mm).



Module 25



Module 50



Module 100



PA with plastic belt

- The photo alongside shows a PA flat conveyor with plastic belt.
- This type of conveyor is proposed when the product to be conveyed is very small, when considerable electrostatic charges are present and when there are lubricants or products which could damage a normal Pu belt.



CP with plastic belt

- The photo alongside shows a CP conveyor with plastic belt.
- The conveyor belt is complete with 35 mm high slats with pitch 400 mm. The peculiarity of these slats is that the terminal part is made of soft material. This technical innovation prolongs the belt life to a considerable extent.
- Note the housings made of aluminium castings which join the flat section with the inclined section of the conveyor in change of inclination.



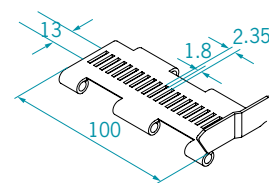
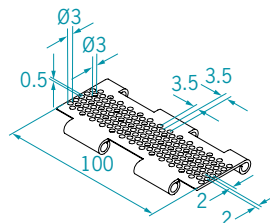
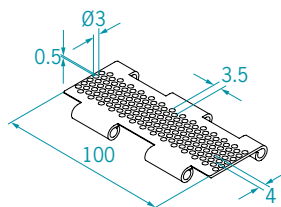
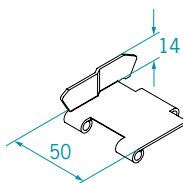
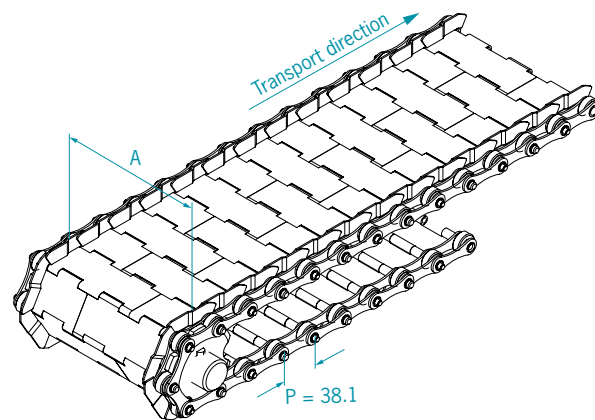
CPT with plastic belt

- The photo alongside shows a conveyor used when product is to be unloaded inside a SR model sprues separator or inside a large container.
- The special constructions of the lateral profile which comprise these conveyors is suitable for the installation of polycarbonate dust-guards, cooling tunnel and various equipment.
- Note the use of the plastic housings in change of inclination of the lower and upper sections.

METAL BELT



METAL BELT conveyors



- Metal belts with different surfaces:

1. Smooth

suitable for welding/screwing drive slats.

2. High grip

avoid complete contact of the product on the surface.

3. High grip and perforated

in the presence of liquids to be decanted.

4. In mesh

in the presence of large quantities of liquids to be decanted.

- A = min 150 mm and max 750 mm, pitch 100 mm



PA with standard metal belt

- The photo alongside shows a PA conveyor with standard metal belt.
- This solution is proposed when the following are to be conveyed:
 - products at temperature exceeding 130° (belts made of plastic material would be damaged);
 - metallic products with sharp parts which could damage the belt.



CP with standard metal belt

- The CP conveyor is used:
 - beside thermoplastic units for picking up and conveying products at high temperatures;
 - beside blower units for conveying sprues with high temperatures;
 - beside die-casting units for products made of aluminium or zamak;
 - beside operating units for metallic products;
 - beside machines for cleaning or polishing metallic products.



CPT with standard metal belt

- This solution is widely used when:
 - the conveyor is positioned beside the IMM for picking up and conveying the product with sprue into a SR or SM separator;
 - when the product storage container is considerably large and the product is to be unloaded into it in the central part.
- The special constructions of the lateral profile which comprise these conveyors is suitable for the installation of polycarbonate dust-guards, cooling tunnel and various equipment.
- Note the use of the same housings in change of inclination of the lower and upper section.



PET

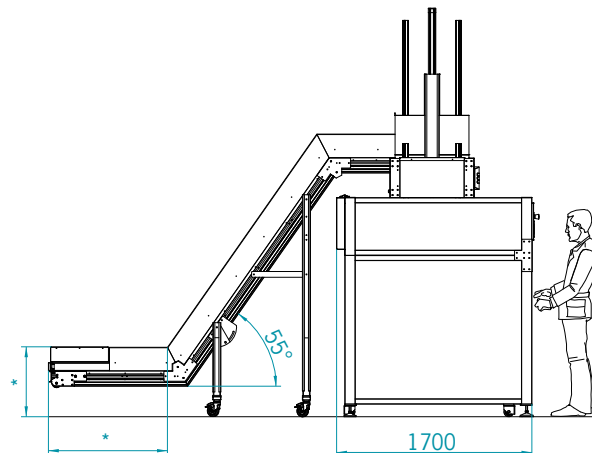
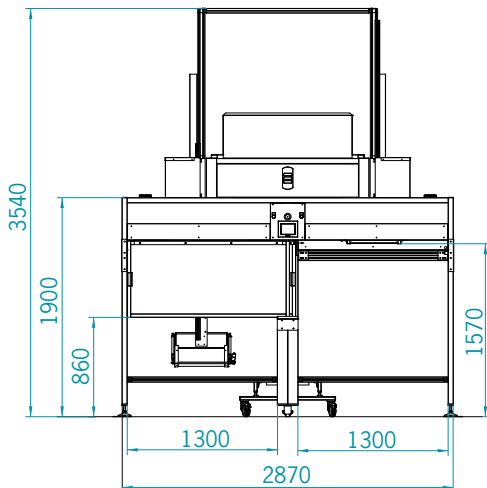


- The Soft Drop is a very efficient system to eliminate damage caused to PET preforms during storage inside the container.
- The operating principle of the Soft Drop: the moulding cycle is received from the IMM and conveyed by means of a CPT conveyor to the PA conveyor/distributor installed for the programmed filling of hoppers/lowerators.
- When the loading phase ends, the hopper descends into the storage container and, using an ultrasound sensor, releases the preforms at a minimum predefined height.

Main technical features

- Dimensions of containers: base 1000 x 1200 x h.1200 mm.
- Standard Soft Drop complete with PLC and touch panel for the control of the operating process and display of work cycles and parameters set.
- Main implementations:
 - quality control by weighing with 0 to +12 preforms tolerance per container;
 - installation of vibrating platforms;
 - construction of loading conveyor complete with cooling device.

STANDARD DIMENSIONAL FEATURES

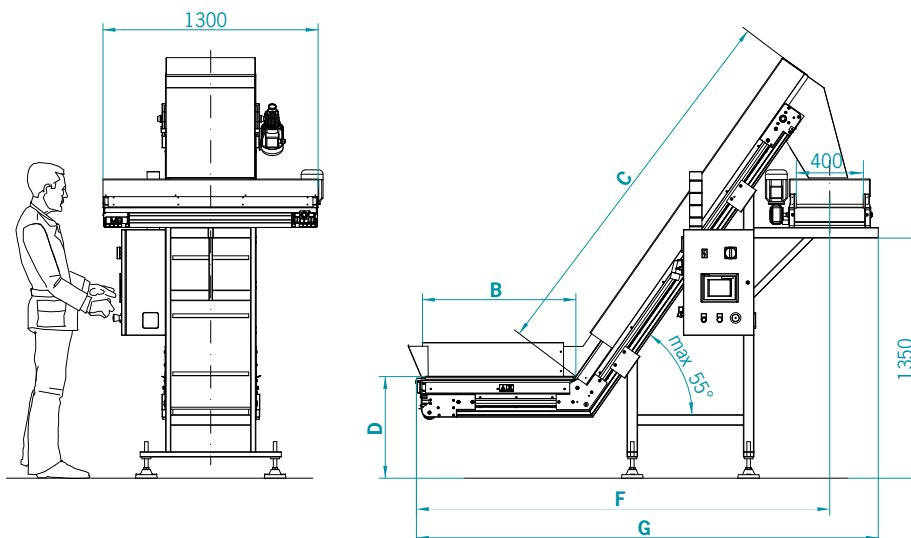


*Dimensions determined by the type of IMM

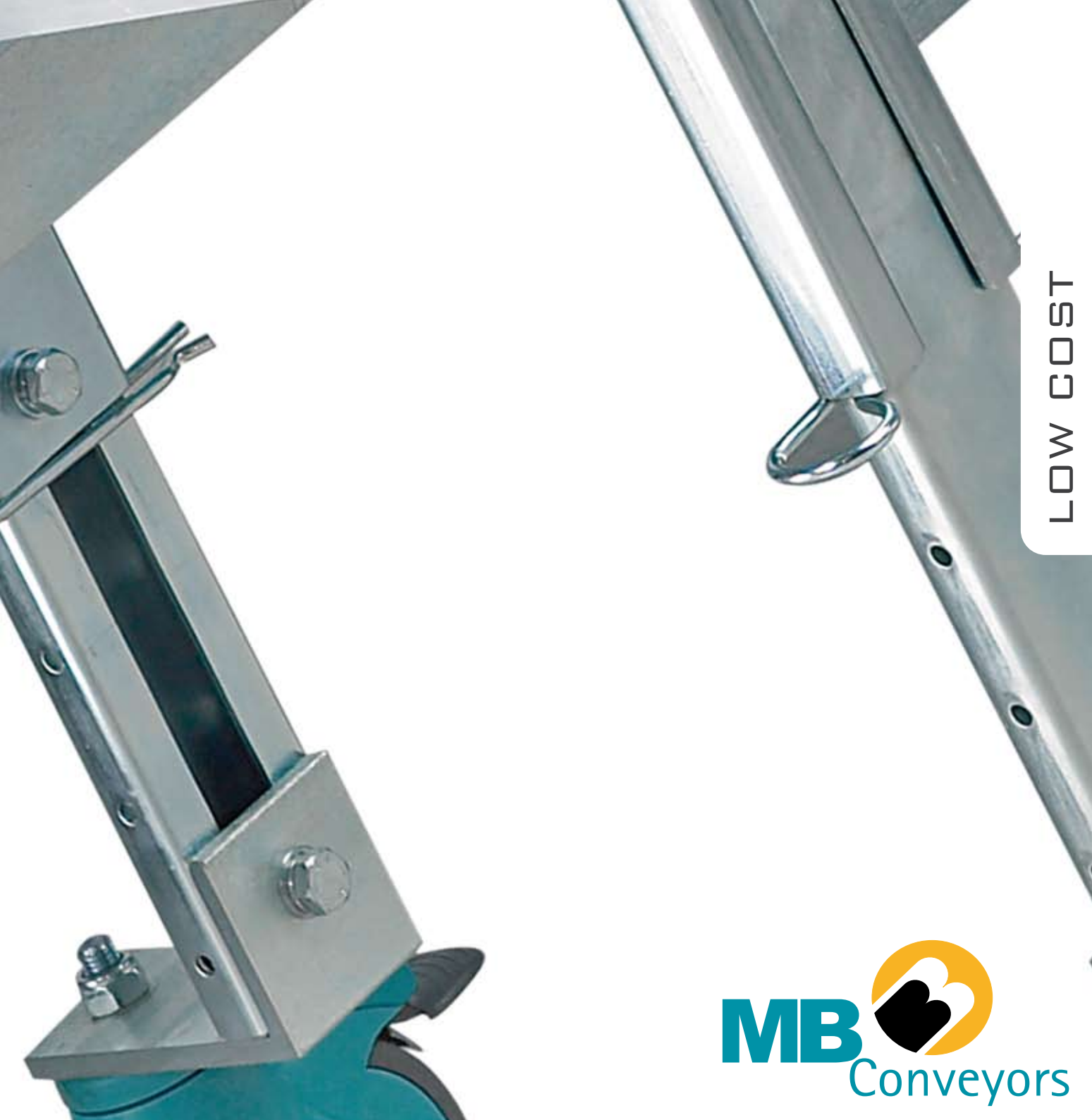


- The T-Conveyor is a widely used solution in the PET sector for the storage of preforms in containers.
- Compared to the Soft Drop, this solution does not include the hoppers descending into the container and is therefore proposed when it is sure that there is no possibility of damage to the preforms as they drop from the PA conveyor into the container.
- The CP conveyor receives the preforms from the production unit outlet and unloads these to the PA distributor which conveys these according to a predefined logic into two storage containers. The control panel, if request with PLC, controls the filling logic.

STANDARD DIMENSIONAL FEATURES



Dimensions not indicated are determined by the type of IMM



LOW COST

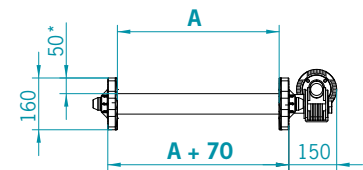
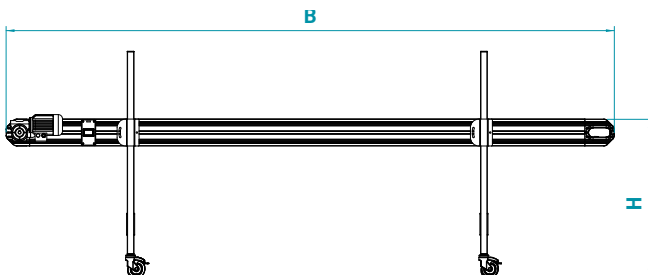


N-PA low-cost conveyor



- Sturdy frame made of primary extrusion aluminium section, Alloy 6060, protected by anodisation average thickness 15 micron.
- Standard cut-proof, oil-proof belt, with smooth green Polyurethane covering (ref. Pantone 320); vulcanised belt joint.
- Minimum and maximum temperature resistance of belt: -10°C to +90°C.
- Standard transmission group consisting of 0.12 kW, three-phase, asynchronous motor coupled with worm reduction unit with permanent lubrication.
- Fixed standard conveyor speed 3 m/min.
- Conveyor complete with Siemens Start and Stop switch/motor cut-out, with 5 m cable and 4P CE plug (3 phases+ground).
- Standard motor supply voltage 400 Volts/50 Hz.

STANDARD DIMENSIONAL FEATURES



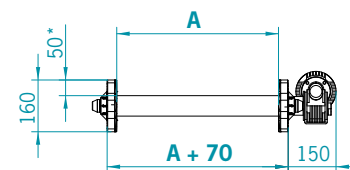
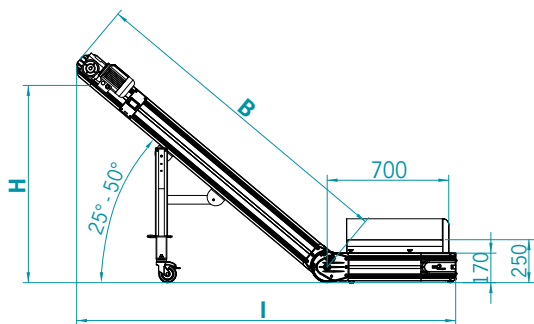
*Fixed sides 50 mm h that are not removable

A	B	H
min 140 mm	min 200 mm	min 400 mm
max 940 mm	max 6000 mm	max 1200 mm



- Sturdy frame made of primary extrusion aluminium section, Alloy 6060, protected by anodisation treatment thickness 15 micron.
- Standard cut-proof, oil-proof belt, with smooth green Polyurethane covering (ref. Pantone 320); with heat-welded slats h=30 mm with pitch 400 mm; vulcanised belt joint.
- Minimum and maximum temperature resistance of belt -10°C to +90°C.
- Standard transmission group consisting of 0.12 kW three-phase, asynchronous motor coupled with worm reduction unit with permanent lubrication.
- Fixed standard conveyor speed 3 m/min.
- Conveyor complete with Siemens Start and Stop switch/motor cut-out, with 5 m cable and 4P CE plug (3 phases+ground).
- Standard motor supply voltage 400 Volts/50 Hz.

STANDARD DIMENSIONAL FEATURES



*Fixed sides 50 mm h that are not removable

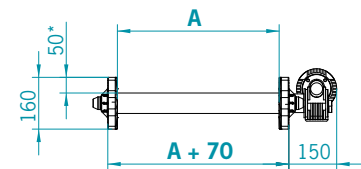
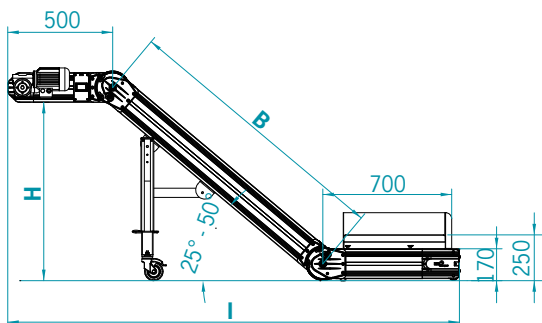
	A	B	H min	H max	l a 40°
N-CPR.0	140 mm	1500 mm	650 mm	1150 mm	2000 mm
N-CPR.1	240 mm	1500 mm	650 mm	1150 mm	2000 mm
N-CPR.2	340 mm	1800 mm	800 mm	1400 mm	2250 mm
N-CPR.2	440 mm	2000 mm	850 mm	1550 mm	2400 mm
N-CPR.4	540 mm	2000 mm	850 mm	1550 mm	2400 mm

N-CPTR low-cost conveyor



- Sturdy frame made of primary extrusion aluminium section, Alloy 6060, protected by anodisation treatment thickness 15 micron.
- Standard cut-proof, oil-proof belt, with smooth green Polyurethane covering (ref. Pantone 320); with heat-welded slats $h=30$ mm with pitch 400 mm; vulcanised belt joint.
- Minimum and maximum temperature resistance of belt -10°C to $+90^{\circ}\text{C}$.
- Standard transmission group consisting of 0.12 kW three-phase, asynchronous motor coupled with worm reduction unit with permanent lubrication.
- Standard conveyor speed 3 m/min fixed.
- Conveyor complete with Siemens Start and Stop switch/motor cut-out with 5 m cable and 4P CE plug (3 phases+ground).
- Standard motor supply voltage 400 Volts/50 Hz.

STANDARD DIMENSIONAL FEATURES

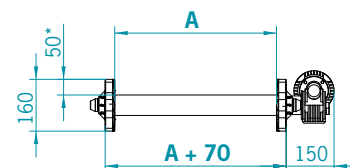
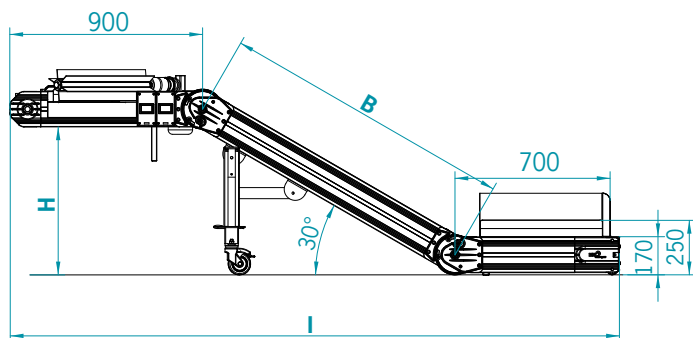


*Fixed sides 50 mm h that are not removable

	A	B	H min	H max	I a 40°
N-CPTR.0	140 mm	1500 mm	650 mm	1150 mm	2500 mm
N-CPTR.1	240 mm	1500 mm	650 mm	1150 mm	2500 mm
N-CPTR.2	340 mm	1800 mm	800 mm	1400 mm	2750 mm
N-CPTR.3	440 mm	2000 mm	850 mm	1550 mm	2900 mm
N-CPTR.4	540 mm	2000 mm	850 mm	1550 mm	2900 mm



STANDARD DIMENSIONAL FEATURES



*Fixed sides 50 mm h that are not removable

- Sturdy frame made of primary extrusion aluminium section, Alloy 6060, protected by anodisation treatment thickness 15 micron.
- Standard cut-proof, oil-proof belt, with high grip green PVC covering (ref. Pantone 320); vulcanised belt joint.
- Maximum and minimum temperature resistance of belt: -10°C to +60°C.
- Conveyor transmission group consisting of 0.12 kW three-phase asynchronous motor coupled with worm reduction unit with permanent lubrication.
- Separator transmission group consisting of 0.09 kW three-phase asynchronous motor coupled with worm reduction unit with permanent lubrication and torque limiter.
- Standard conveyor speed 3 m/min fixed.
- Conveyor complete with Siemens double switch/motor cut-out Start and Stop (one for the conveyor and one for the separator) with 5 m cable and 4P CE plug (3 phases+ground).
- Standard motor supply voltage 400 Volts/50 Hz.

	A	B	H	I a 30°
N-CPST.0	140 mm	1300 mm	650 mm	2800 mm
N-CPST.1	240 mm	1300 mm	650 mm	2800 mm
N-CPST.2	340 mm	1800 mm	900 mm	3250 mm
N-CPST.3	440 mm	1800 mm	900 mm	3250 mm



TECHNICAL INFO



MB CONTROL PANEL



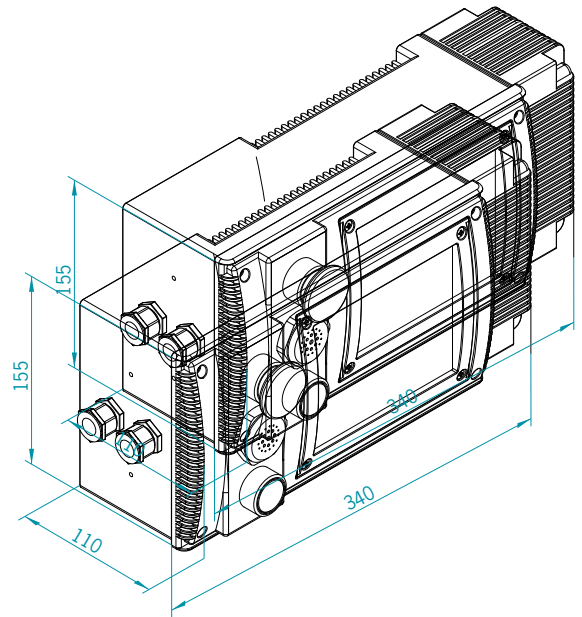
- The maximum power the MB control panel can withstand: 0.75 kW.
- Control panel connection voltage: three-phase 400 Volts/50 Hz.
- MB Control Panel complete with three-phase Inverter.
- MB Control Panel protection degree: IP 65.
- MB Control panel dimensions: 110 x 340 x 155 mm.
- Wt. of MB Control panel: 1.7 kg.

Standard programs installed in the control panel

- a) ON/OFF Manual Program
- b) Pause/Work Program
- c) Robot/Pulse Program
- d) Sensor/Feeder Program
- e) TV series turntables control Program
- f) CAR horizontal carousel Program
- g) Control programs for Metal Detectors installed on conveyor (Plate/Tunnel)
- h) MI 1 mixer control Program

Standard equipment of MB Control Panel

- Acoustic alarm.
- Mushroom-shaped emergency button.
- Complete M/F ILME plug for connecting external incoming signal (A/C voltage free).





MB Control panel installed on PA Conveyor

- The photo alongside shows an MB control panel installed on a PA conveyor, fitted with protection devices, positioned beside the IMM for collecting and conveying the product deposited by the Robot.
- The operating logic of this application is similar to the application on the PAR with the addition of control of the safety micro switch on the openable rear door of the guard.
- With the door open, the panel inhibits the Robot descent.



MB Control panel installed on EV Elevator

- The photo alongside shows the MB control panel installed on an elevator for control of the level sensor.
- It is activated or stops depending on the product level downline of the elevator.
- The incoming signal from the sensor (A/C voltage free) is duly filtered.



MB Control panel installed on turntable

- The photo alongside shows the MB control panel installed on a TV model turntable.
- At each moulding cycle, the IMM sends a signal to the MB control panel (A/C voltage free).
- The signals are counted by the panel and on reaching the preset number of moulded items for the container, the control panel activates container change.

MB conveyors
via della Scienza n.7
36070 Brogliano - VI
Italy

T +39 0445 444555
F +39 0445 444599

sales@mbconveyors.com