



## K Series

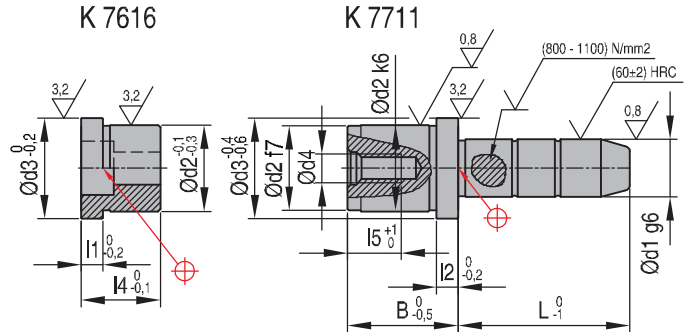




K7711 + K7616

Leader pins + Shoulder plates

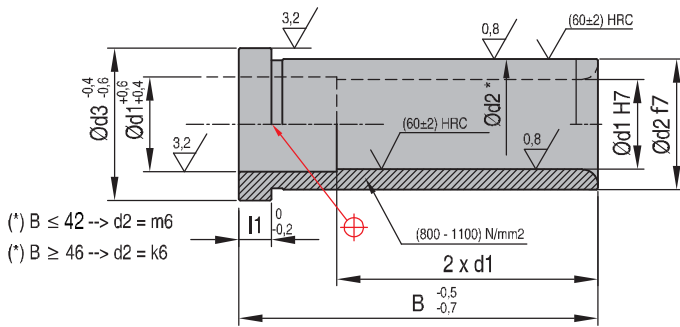
Mat.: 1.7131



REF d2 x d1 x B x L	REF d2 x d1 x B x L	d2	d3	d4	l2	l5
K7711 16x11x20x30	K7711 16x10x20x30	16	20	M6	3,5	12
K7711 20x15x30x30	K7711 20x14x30x30	20	25	M8	6,0	16
K7711 20x15x30x60	K7711 20x14x30x60	20	25	M8	6,0	16
K7711 20x15x30x100	K7711 20x14x30x100	20	25	M8	6,0	16
K7711 25x19x30x30	K7711 25x18x30x30	25	31	M10	6,0	20
K7711 25x19x30x60	K7711 25x18x30x60	25	31	M10	6,0	20
K7711 25x19x30x80	K7711 25x18x30x80	25	31	M10	6,0	20
K7711 25x19x30x100	K7711 25x18x30x100	25	31	M10	6,0	20
K7711 25x19x40x40	K7711 25x18x40x40	25	31	M10	6,0	20
K7711 25x19x40x120	K7711 25x18x40x120	25	31	M10	6,0	20
K7711 32x24x40x40	K7711 32x23x40x40	32	38	M12	6,0	22
K7711 32x24x40x120	K7711 32x23x40x120	32	38	M12	6,0	22
K7711 32x24x40x140	K7711 32x23x40x140	32	38	M12	6,0	22


**Leader pin bushings**

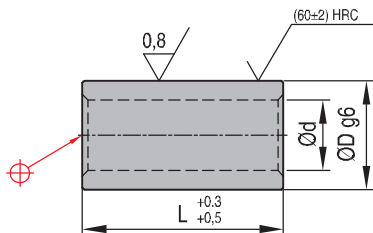
Mat.: 1.7131

**K7661**


REF d2 x d1 x B	REF d2 x d1 x B	d2	d3	l1
<b>K7661 20x15x32</b>	<b>K7661 20x14x32</b>	20	25	6
<b>K7661 25x19x42</b>	<b>K7661 25x18x42</b>	25	31	6
<b>K7661 32x24x52</b>	<b>K7661 32x23x52</b>	32	36	6
<b>K7661 32x24x62</b>	<b>K7661 32x23x62</b>	32	36	6

**Locating sleeves**

Mat.: 1.7131

**K7731**


REF D x L	D	d	REF D x L	D	d
<b>K7731 20x15</b>	20	16	<b>K7731 25x50</b>	25	21
<b>K7731 20x20</b>	20	16	<b>K7731 25x60</b>	25	21
<b>K7731 20x25</b>	20	16	<b>K7731 25x70</b>	25	21
<b>K7731 20x30</b>	20	16	<b>K7731 25x80</b>	25	21
<b>K7731 20x35</b>	20	16	<b>K7731 25x90</b>	25	21
<b>K7731 20x40</b>	20	16	<b>K7731 25x100</b>	25	21
<b>K7731 20x45</b>	20	16	<b>K7731 25x120</b>	25	21
<b>K7731 20x50</b>	20	16	<b>K7731 32x30</b>	32	26
<b>K7731 20x60</b>	20	16	<b>K7731 32x50</b>	32	26
<b>K7731 20x70</b>	20	16	<b>K7731 32x60</b>	32	26
<b>K7731 20x80</b>	20	16	<b>K7731 32x70</b>	32	26
<b>K7731 25x20</b>	25	21	<b>K7731 32x80</b>	32	26
<b>K7731 25x25</b>	25	21	<b>K7731 32x95</b>	32	26
<b>K7731 25x30</b>	25	21	<b>K7731 32x100</b>	32	26
<b>K7731 25x35</b>	25	21	<b>K7731 32x120</b>	32	26
<b>K7731 25x40</b>	25	21	<b>K7731 32x140</b>	32	26
<b>K7731 25x45</b>	25	21			

CAD reference point



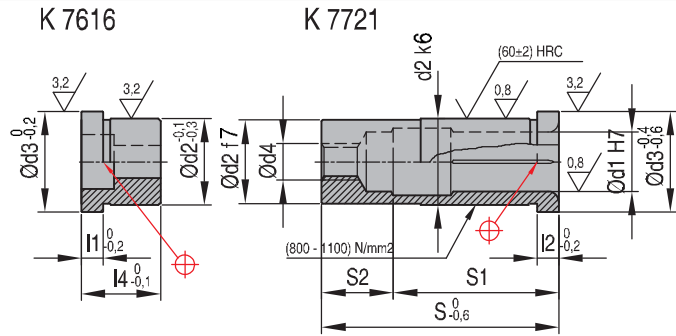
10/03/2011



K7721 + K7616

Leader pins bushings+shoulder plates

Mat.: 1.7131

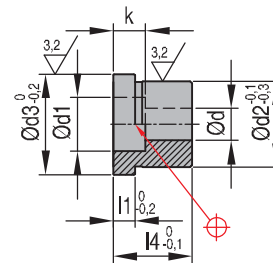


REF d2 x d1 x S	REF d2 x d1 x S	d3	d4	l2	s1	s2
K7721 16x11x60	K7721 16x10x60	20	M6	3,5	50	10
K7721 20x15x50	K7721 20x14x50	25	M8	6,0	40	10
K7721 20x15x60	K7721 20x14x60	25	M8	6,0	50	10
K7721 20x15x70	K7721 20x14x70	25	M8	6,0	60	10
K7721 20x15x80	K7721 20x14x80	25	M8	6,0	70	10
K7721 25x19x60	K7721 25x18x60	31	M 10	6,0	46	14
K7721 25x19x70	K7721 25x18x70	31	M 10	6,0	56	14
K7721 25x19x80	K7721 25x18x80	31	M 10	6,0	66	14
K7721 25x19x90	K7721 25x18x90	31	M 10	6,0	76	14
K7721 32x24x70	K7721 32x23x70	38	M 12	6,0	54	16
K7721 32x24x85	K7721 32x23x85	38	M 12	6,0	67	18
K7721 32x24x105	K7721 32x23x105	38	M 12	6,0	86	19
K7721 32x24x110	K7721 32x23x110	38	M 12	6,0	91	19

K7616

Shoulder plates

Mat.: 1.7131



REF	d	d1	d2	d3	l1	l4	K
K7616x16	6,6	11	16	20	3,5	10	6,8
K7616x20	9,0	15	20	25	6,0	11	8,5
K7616x25	11,0	18	25	31	6,0	15	10,5
K7616x32	13,5	20	32	38	6,0	19	12,5