



DME Standard

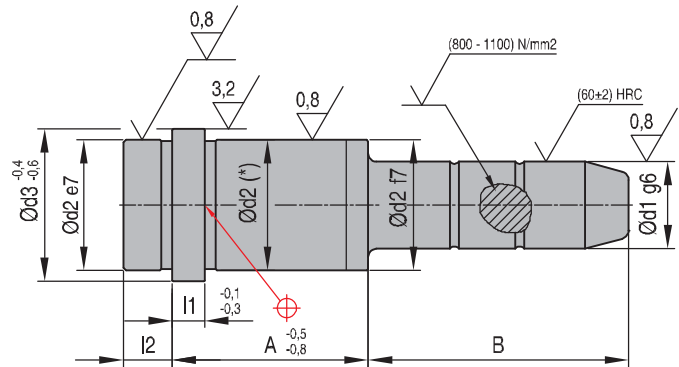




FSC

Leader pins

Mat.: 1.7131



(*) $A \leq 36 \rightarrow d2 = m6$

(*) $A \geq 46 \rightarrow d2 = k6$

REF d1 x A x B	d1	REF d1 x A x B	d1	d2	d3	l1	l2	series	
FSC 10x16x20	10	FSC 9x16x20	9	14	16	3	3	N 10	
FSC 10x16x36	10	FSC 9x16x36	9	14	16	3	3		
FSC 10x16x66	10	FSC 9x16x66	9	14	16	3	3		
FSC 10x20x26	10	FSC 9x20x26	9	14	16	3	3		
FSC 10x20x46	10	FSC 9x20x46	9	14	16	3	3		
FSC 10x20x66	10	FSC 9x20x66	9	14	16	3	3		
FSC 10x20x86	10	FSC 9x20x86	9	14	16	3	3		
FSC 10x26x36	10	FSC 9x26x36	9	14	16	3	3		
FSC 10x26x56	10	FSC 9x26x56	9	14	16	3	3		
FSC 10x36x26	10	FSC 9x36x26	9	14	16	3	3		
FSC 10x36x46	10	FSC 9x36x46	9	14	16	3	3		
FSC 10x46x36	10	FSC 9x46x36	9	14	16	3	3		
FSC 12x20x20	12	FSC 11x20x20	11	18	22	6	6		N 12
FSC 12x20x26	12	FSC 11x20x26	11	18	22	6	6		
FSC 12x20x66	12	FSC 11x20x66	11	18	22	6	6		
FSC 12x26x26	12	FSC 11x26x26	11	18	22	6	6		
FSC 12x26x36	12	FSC 11x26x36	11	18	22	6	6		
FSC 12x26x56	12	FSC 11x26x56	11	18	22	6	6		
FSC 12x26x96	12	FSC 11x26x96	11	18	22	6	6		
FSC 12x36x36	12	FSC 11x36x36	11	18	22	6	6		
FSC 12x36x56	12	FSC 11x36x56	11	18	22	6	6		
FSC 12x36x86	12	FSC 11x36x86	11	18	22	6	6		
FSC 12x46x46	12	FSC 11x46x46	11	18	22	6	6		
FSC 12x46x66	12	FSC 11x46x66	11	18	22	6	6		
FSC 12x56x36	12	FSC 11x56x36	11	18	22	6	6		
FSC 12x56x56	12	FSC 11x56x56	11	18	22	6	6		
FSC 16x26x26	16	FSC 15x26x26	15	24	28	6	9	N 16	
FSC 16x26x36	16	FSC 15x26x36	15	24	28	6	9		
FSC 16x26x46	16	FSC 15x26x46	15	24	28	6	9		
FSC 16x26x66	16	FSC 15x26x66	15	24	28	6	9		
FSC 16x26x86	16	FSC 15x26x86	15	24	28	6	9		
FSC 16x26x146	16	FSC 15x26x146	15	24	28	6	9		
FSC 16x36x26	16	FSC 15x36x26	15	24	28	6	9		
FSC 16x36x36	16	FSC 15x36x36	15	24	28	6	9		
FSC 16x36x46	16	FSC 15x36x46	15	24	28	6	9		
FSC 16x36x66	16	FSC 15x36x66	15	24	28	6	9		
FSC 16x36x86	16	FSC 15x36x86	15	24	28	6	9		
FSC 16x36x126	16	FSC 15x36x126	15	24	28	6	9		
FSC 16x46x36	16	FSC 15x46x36	15	24	28	6	9		
FSC 16x46x46	16	FSC 15x46x46	15	24	28	6	9		
FSC 16x46x56	16	FSC 15x46x56	15	24	28	6	9		
FSC 16x46x76	16	FSC 15x46x76	15	24	28	6	9		
FSC 16x56x36	16	FSC 15x56x36	15	24	28	6	9		
FSC 16x56x56	16	FSC 15x56x56	15	24	28	6	9		
FSC 16x56x76	16	FSC 15x56x76	15	24	28	6	9		
FSC 16x66x46	16	FSC 15x66x46	15	24	28	6	9		
FSC 16x66x76	16	FSC 15x66x76	15	24	28	6	9		
FSC 16x76x56	16	FSC 15x76x56	15	24	28	6	9		
FSC 16x76x86	16	FSC 15x76x86	15	24	28	6	9		

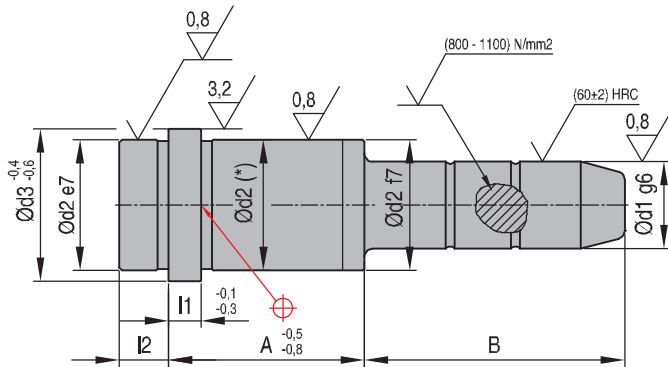
REF d1 x A x B	d1	REF d1 x A x B	d1	d2	d3	l1	l2	series
FSC 20x26x26	20	FSC 19x26x26	19	28	32	6	9	N 20
FSC 20x26x36	20	FSC 19x26x36	19	28	32	6	9	
FSC 20x26x46	20	FSC 19x26x46	19	28	32	6	9	N 21
FSC 20x26x66	20	FSC 19x26x66	19	28	32	6	9	
FSC 20x26x86	20	FSC 19x26x86	19	28	32	6	9	
FSC 20x26x106	20	FSC 19x26x106	19	28	32	6	9	
FSC 20x26x146	20	FSC 19x26x146	19	28	32	6	9	
FSC 20x26x186	20	FSC 19x26x186	19	28	32	6	9	
FSC 20x36x26	20	FSC 19x36x26	19	28	32	6	9	
FSC 20x36x36	20	FSC 19x36x36	19	28	32	6	9	
FSC 20x36x46	20	FSC 19x36x46	19	28	32	6	9	
FSC 20x36x66	20	FSC 19x36x66	19	28	32	6	9	
FSC 20x36x86	20	FSC 19x36x86	19	28	32	6	9	
FSC 20x36x106	20	FSC 19x36x106	19	28	32	6	9	
FSC 20x36x146	20	FSC 19x36x146	19	28	32	6	9	
FSC 20x36x186	20	FSC 19x36x186	19	28	32	6	9	
FSC 20x46x36	20	FSC 19x46x36	19	28	32	6	9	
FSC 20x46x46	20	FSC 19x46x46	19	28	32	6	9	
FSC 20x46x66	20	FSC 19x46x66	19	28	32	6	9	
FSC 20x46x86	20	FSC 19x46x86	19	28	32	6	9	
FSC 20x46x126	20	FSC 19x46x126	19	28	32	6	9	
FSC 20x46x166	20	FSC 19x46x166	19	28	32	6	9	
FSC 20x56x36	20	FSC 19x56x36	19	28	32	6	9	
FSC 20x56x56	20	FSC 19x56x56	19	28	32	6	9	
FSC 20x56x86	20	FSC 19x56x86	19	28	32	6	9	
FSC 20x56x126	20	FSC 19x56x126	19	28	32	6	9	
FSC 20x66x46	20	FSC 19x66x46	19	28	32	6	9	
FSC 20x66x66	20	FSC 19x66x66	19	28	32	6	9	
FSC 20x66x86	20	FSC 19x66x86	19	28	32	6	9	
FSC 20x76x56	20	FSC 19x76x56	19	28	32	6	9	
FSC 20x76x76	20	FSC 19x76x76	19	28	32	6	9	
FSC 20x76x96	20	FSC 19x76x96	19	28	32	6	9	
FSC 20x86x66	20	FSC 19x86x66	19	28	32	6	9	
FSC 20x86x86	20	FSC 19x86x86	19	28	32	6	9	



Leader pins

Mat.: 1.7131

FSC



(*) A ≤ 36 → d2 = m6
 (*) A ≥ 46 → d2 = k6

REF d1 x A x B	d1	REF d1 x A x B	d1	d2	d3	I1	I2	series
FSC 24x26x26	24	FSC 23x26x26	23	32	36	6	9	N 25
FSC 24x26x46	24	FSC 23x26x46	23	32	36	6	9	N 30
FSC 24x26x66	24	FSC 23x26x66	23	32	36	6	9	N 35
FSC 24x26x86	24	FSC 23x26x86	23	32	36	6	9	
FSC 24x26x106	24	FSC 23x26x106	23	32	36	6	9	
FSC 24x26x146	24	FSC 23x26x146	23	32	36	6	9	
FSC 24x26x206	24	FSC 23x26x206	23	32	36	6	9	
FSC 24x36x26	24	FSC 23x36x26	23	32	36	6	9	
FSC 24x36x36	24	FSC 23x36x36	23	32	36	6	9	
FSC 24x36x56	24	FSC 23x36x56	23	32	36	6	9	
FSC 24x36x76	24	FSC 23x36x76	23	32	36	6	9	
FSC 24x36x96	24	FSC 23x36x96	23	32	36	6	9	
FSC 24x36x126	24	FSC 23x36x126	23	32	36	6	9	
FSC 24x36x166	24	FSC 23x36x166	23	32	36	6	9	
FSC 24x36x206	24	FSC 23x36x206	23	32	36	6	9	
FSC 24x46x46	24	FSC 23x46x46	23	32	36	6	9	
FSC 24x46x66	24	FSC 23x46x66	23	32	36	6	9	
FSC 24x46x86	24	FSC 23x46x86	23	32	36	6	9	
FSC 24x46x106	24	FSC 23x46x106	23	32	36	6	9	
FSC 24x46x126	24	FSC 23x46x126	23	32	36	6	9	
FSC 24x46x166	24	FSC 23x46x166	23	32	36	6	9	
FSC 24x46x206	24	FSC 23x46x206	23	32	36	6	9	
FSC 24x56x36	24	FSC 23x56x36	23	32	36	6	9	
FSC 24x56x46	24	FSC 23x56x46	23	32	36	6	9	
FSC 24x56x56	24	FSC 23x56x56	23	32	36	6	9	
FSC 24x56x76	24	FSC 23x56x76	23	32	36	6	9	
FSC 24x56x96	24	FSC 23x56x96	23	32	36	6	9	
FSC 24x56x126	24	FSC 23x56x126	23	32	36	6	9	
FSC 24x56x166	24	FSC 23x56x166	23	32	36	6	9	
FSC 24x56x246	24	FSC 23x56x246	23	32	36	6	9	
FSC 24x66x46	24	FSC 23x66x46	23	32	36	6	9	
FSC 24x66x66	24	FSC 23x66x66	23	32	36	6	9	
FSC 24x66x86	24	FSC 23x66x86	23	32	36	6	9	
FSC 24x66x106	24	FSC 23x66x106	23	32	36	6	9	
FSC 24x76x56	24	FSC 23x76x56	23	32	36	6	9	
FSC 24x76x76	24	FSC 23x76x76	23	32	36	6	9	
FSC 24x76x96	24	FSC 23x76x96	23	32	36	6	9	
FSC 24x86x66	24	FSC 23x86x66	23	32	36	6	9	
FSC 24x86x86	24	FSC 23x86x86	23	32	36	6	9	
FSC 24x86x106	24	FSC 23x86x106	23	32	36	6	9	
FSC 24x96x56	24	FSC 23x96x56	23	32	36	6	9	
FSC 24x96x76	24	FSC 23x96x76	23	32	36	6	9	
FSC 24x96x96	24	FSC 23x96x96	23	32	36	6	9	
FSC 24x96x126	24	FSC 23x96x126	23	32	36	6	9	
FSC 24x106x86	24	FSC 23x106x86	23	32	36	6	9	
FSC 24x106x146	24	FSC 23x106x146	23	32	36	6	9	
FSC 24x126x126	24	FSC 23x126x126	23	32	36	6	9	
FSC 24x126x146	24	FSC 23x126x146	23	32	36	6	9	
FSC 24x146x146	24	FSC 23x146x146	23	32	36	6	9	
FSC 34x36x46	34	FSC 33x36x46	33	42	46	6	9	N 40

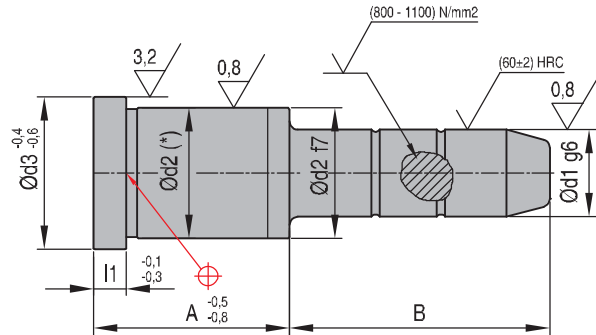
REF d1 x A x B	d1	REF d1 x A x B	d1	d2	d3	I1	I2	series
FSC 34x36x66	34	FSC 33x36x66	33	42	46	6	9	N 45
FSC 34x36x86	34	FSC 33x36x86	33	42	46	6	9	N 50
FSC 34x36x126	34	FSC 33x36x126	33	42	46	6	9	N 55
FSC 34x36x186	34	FSC 33x36x186	33	42	46	6	9	
FSC 34x36x246	34	FSC 33x36x246	33	42	46	6	9	
FSC 34x56x66	34	FSC 33x56x66	33	42	46	6	9	
FSC 34x56x96	34	FSC 33x56x96	33	42	46	6	9	
FSC 34x56x126	34	FSC 33x56x126	33	42	46	6	9	
FSC 34x56x166	34	FSC 33x56x166	33	42	46	6	9	
FSC 34x56x206	34	FSC 33x56x206	33	42	46	6	9	
FSC 34x56x246	34	FSC 33x56x246	33	42	46	6	9	
FSC 34x76x66	34	FSC 33x76x66	33	42	46	6	9	
FSC 34x76x106	34	FSC 33x76x106	33	42	46	6	9	
FSC 34x76x146	34	FSC 33x76x146	33	42	46	6	9	
FSC 34x96x66	34	FSC 33x96x66	33	42	46	6	9	
FSC 34x96x96	34	FSC 33x96x96	33	42	46	6	9	
FSC 34x96x146	34	FSC 33x96x146	33	42	46	6	9	
FSC 34x106x76	34	FSC 33x106x76	33	42	46	6	9	
FSC 34x106x106	34	FSC 33x106x106	33	42	46	6	9	
FSC 34x106x146	34	FSC 33x106x146	33	42	46	6	9	
FSC 34x126x86	34	FSC 33x126x86	33	42	46	6	9	
FSC 34x126x126	34	FSC 33x126x126	33	42	46	6	9	
FSC 34x126x146	34	FSC 33x126x146	33	42	46	6	9	
FSC 34x146x86	34	FSC 33x146x86	33	42	46	6	9	
FSC 34x146x106	34	FSC 33x146x106	33	42	46	6	9	
FSC 34x146x166	34	FSC 33x146x166	33	42	46	6	9	
FSC 34x166x166	34	FSC 33x166x166	33	42	46	6	9	
FSC 34x186x186	34	FSC 33x186x186	33	42	46	6	9	
FSC 34x206x206	34	FSC 33x206x206	33	42	46	6	9	
FSC 42x36x56	42	FSC 41x36x56	41	50	54	6	9	N 60
FSC 42x36x96	42	FSC 41x36x96	41	50	54	6	9	
FSC 42x36x126	42	FSC 41x36x126	41	50	54	6	9	
FSC 42x56x76	42	FSC 41x56x76	41	50	54	6	9	
FSC 42x56x126	42	FSC 41x56x126	41	50	54	6	9	
FSC 42x56x166	42	FSC 41x56x166	41	50	54	6	9	
FSC 42x76x96	42	FSC 41x76x96	41	50	54	6	9	
FSC 42x76x146	42	FSC 41x76x146	41	50	54	6	9	
FSC 42x96x76	42	FSC 41x96x76	41	50	54	6	9	
FSC 42x96x96	42	FSC 41x96x96	41	50	54	6	9	
FSC 42x96x146	42	FSC 41x96x146	41	50	54	6	9	
FSC 42x106x96	42	FSC 41x106x96	41	50	54	6	9	
FSC 42x106x146	42	FSC 41x106x146	41	50	54	6	9	
FSC 42x126x86	42	FSC 41x126x86	41	50	54	6	9	
FSC 42x126x146	42	FSC 41x126x146	41	50	54	6	9	
FSC 42x146x96	42	FSC 41x146x96	41	50	54	6	9	
FSC 42x146x146	42	FSC 41x146x146	41	50	54	6	9	
FSC 42x166x166	42	FSC 41x166x166	41	50	54	6	9	
FSC 42x186x186	42	FSC 41x186x186	41	50	54	6	9	
FSC 42x206x206	42	FSC 41x206x206	41	50	54	6	9	



FSN

Leader pins

Mat.: 1.7131



(*) $A \leq 36 \rightarrow d2 = m6$

(*) $A \geq 46 \rightarrow d2 = k6$

REF d1 x A x B	d1	REF d1 x A x B	d1	d2	d3	l1	series
FSN 10x16x26	10	FSN 9x16x26	9	14	16	3	N 10
FSN 10x16x46	10	FSN 9x16x46	9	14	16	3	
FSN 10x16x66	10	FSN 9x16x66	9	14	16	3	
FSN 10x16x86	10	FSN 9x16x86	9	14	16	3	
FSN 10x20x26	10	FSN 9x20x26	9	14	16	3	
FSN 10x20x46	10	FSN 9x20x46	9	14	16	3	
FSN 10x26x26	10	FSN 9x26x26	9	14	16	3	
FSN 10x26x46	10	FSN 9x26x46	9	14	16	3	
FSN 10x36x26	10	FSN 9x36x26	9	14	16	3	
FSN 10x36x46	10	FSN 9x36x46	9	14	16	3	
FSN 10x46x26	10	FSN 9x46x26	9	14	16	3	
FSN 10x46x46	10	FSN 9x46x46	9	14	16	3	
FSN 12x20x20	12	FSN 11x20x20	11	18	22	6	N 12
FSN 12x20x26	12	FSN 11x20x26	11	18	22	6	
FSN 12x20x66	12	FSN 11x20x66	11	18	22	6	
FSN 12x26x26	12	FSN 11x26x26	11	18	22	6	
FSN 12x26x36	12	FSN 11x26x36	11	18	22	6	
FSN 12x26x56	12	FSN 11x26x56	11	18	22	6	
FSN 12x36x36	12	FSN 11x36x36	11	18	22	6	
FSN 12x36x56	12	FSN 11x36x56	11	18	22	6	
FSN 12x46x46	12	FSN 11x46x46	11	18	22	6	
FSN 12x46x66	12	FSN 11x46x66	11	18	22	6	
FSN 12x56x36	12	FSN 11x56x36	11	18	22	6	
FSN 12x56x56	12	FSN 11x56x56	11	18	22	6	
FSN 16x26x26	16	FSN 15x26x26	15	24	28	6	N 16
FSN 16x26x36	16	FSN 15x26x36	15	24	28	6	
FSN 16x26x46	16	FSN 15x26x46	15	24	28	6	
FSN 16x26x66	16	FSN 15x26x66	15	24	28	6	
FSN 16x26x86	16	FSN 15x26x86	15	24	28	6	
FSN 16x26x106	16	FSN 15x26x106	15	24	28	6	
FSN 16x36x26	16	FSN 15x36x26	15	24	28	6	
FSN 16x36x36	16	FSN 15x36x36	15	24	28	6	
FSN 16x36x46	16	FSN 15x36x46	15	24	28	6	
FSN 16x36x66	16	FSN 15x36x66	15	24	28	6	
FSN 16x46x36	16	FSN 15x46x36	15	24	28	6	
FSN 16x46x56	16	FSN 15x46x56	15	24	28	6	
FSN 16x46x76	16	FSN 15x46x76	15	24	28	6	
FSN 16x56x36	16	FSN 15x56x36	15	24	28	6	
FSN 16x56x56	16	FSN 15x56x56	15	24	28	6	
FSN 16x56x76	16	FSN 15x56x76	15	24	28	6	
FSN 16x66x46	16	FSN 15x66x46	15	24	28	6	
FSN 16x66x76	16	FSN 15x66x76	15	24	28	6	
FSN 16x76x56	16	FSN 15x76x56	15	24	28	6	
FSN 16x76x86	16	FSN 15x76x86	15	24	28	6	

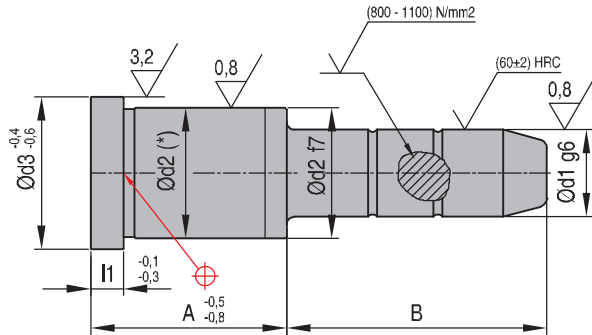
REF d1 x A x B	d1	REF d1 x A x B	d1	d2	d3	l1	series
FSN 20x26x26	20	FSN 19x26x26	19	28	32	6	N 20/N 22
FSN 20x26x36	20	FSN 19x26x36	19	28	32	6	
FSN 20x26x46	20	FSN 19x26x46	19	28	32	6	
FSN 20x26x66	20	FSN 19x26x66	19	28	32	6	
FSN 20x26x86	20	FSN 19x26x86	19	28	32	6	
FSN 20x26x106	20	FSN 19x26x106	19	28	32	6	
FSN 20x36x26	20	FSN 19x36x26	19	28	32	6	
FSN 20x36x36	20	FSN 19x36x36	19	28	32	6	
FSN 20x36x46	20	FSN 19x36x46	19	28	32	6	
FSN 20x36x66	20	FSN 19x36x66	19	28	32	6	
FSN 20x36x86	20	FSN 19x36x86	19	28	32	6	
FSN 20x36x106	20	FSN 19x36x106	19	28	32	6	
FSN 20x46x36	20	FSN 19x46x36	19	28	32	6	N 25/N 30/N 35/ D 25
FSN 20x46x46	20	FSN 19x46x46	19	28	32	6	
FSN 20x46x66	20	FSN 19x46x66	19	28	32	6	
FSN 20x46x86	20	FSN 19x46x86	19	28	32	6	
FSN 20x46x126	20	FSN 19x46x126	19	28	32	6	
FSN 20x56x36	20	FSN 19x56x36	19	28	32	6	
FSN 20x56x56	20	FSN 19x56x56	19	28	32	6	
FSN 20x56x86	20	FSN 19x56x86	19	28	32	6	
FSN 20x66x46	20	FSN 19x66x46	19	28	32	6	
FSN 20x66x66	20	FSN 19x66x66	19	28	32	6	
FSN 20x66x86	20	FSN 19x66x86	19	28	32	6	
FSN 20x76x56	20	FSN 19x76x56	19	28	32	6	
FSN 20x76x76	20	FSN 19x76x76	19	28	32	6	
FSN 20x76x96	20	FSN 19x76x96	19	28	32	6	
FSN 20x86x66	20	FSN 19x86x66	19	28	32	6	
FSN 20x86x86	20	FSN 19x86x86	19	28	32	6	
FSN 24x26x26	24	FSN 23x26x26	23	32	36	6	
FSN 24x26x46	24	FSN 23x26x46	23	32	36	6	
FSN 24x26x66	24	FSN 23x26x66	23	32	36	6	
FSN 24x26x86	24	FSN 23x26x86	23	32	36	6	
FSN 24x26x106	24	FSN 23x26x106	23	32	36	6	
FSN 24x36x26	24	FSN 23x36x26	23	32	36	6	
FSN 24x36x36	24	FSN 23x36x36	23	32	36	6	
FSN 24x36x56	24	FSN 23x36x56	23	32	36	6	
FSN 24x36x76	24	FSN 23x36x76	23	32	36	6	
FSN 24x36x96	24	FSN 23x36x96	23	32	36	6	
FSN 24x36x106	24	FSN 23x36x106	23	32	36	6	
FSN 24x36x126	24	FSN 23x36x126	23	32	36	6	
FSN 24x46x46	24	FSN 23x46x46	23	32	36	6	
FSN 24x46x66	24	FSN 23x46x66	23	32	36	6	
FSN 24x46x86	24	FSN 23x46x86	23	32	36	6	
FSN 24x46x106	24	FSN 23x46x106	23	32	36	6	



Leader pins

Mat.: 1.7131

FSN



(*) A ≤ 36 --> d2 = m6
 (*) A ≥ 46 --> d2 = k6

REF d1 x A x B	d1	REF d1 x A x B	d1	d2	d3	I1	series
FSN 24x56x36	24	FSN 23x56x36	23	32	36	6	N 25/N 30/N 35/ D 25
FSN 24x56x46	24	FSN 23x56x46	23	32	36	6	
FSN 24x56x56	24	FSN 23x56x56	23	32	36	6	
FSN 24x56x76	24	FSN 23x56x76	23	32	36	6	
FSN 24x56x96	24	FSN 23x56x96	23	32	36	6	
FSN 24x66x46	24	FSN 23x66x46	23	32	36	6	
FSN 24x66x66	24	FSN 23x66x66	23	32	36	6	
FSN 24x66x86	24	FSN 23x66x86	23	32	36	6	
FSN 24x66x106	24	FSN 23x66x106	23	32	36	6	
FSN 24x76x56	24	FSN 23x76x56	23	32	36	6	
FSN 24x76x76	24	FSN 23x76x76	23	32	36	6	
FSN 24x76x96	24	FSN 23x76x96	23	32	36	6	
FSN 24x86x66	24	FSN 23x86x66	23	32	36	6	
FSN 24x86x86	24	FSN 23x86x86	23	32	36	6	
FSN 24x86x106	24	FSN 23x86x106	23	32	36	6	
FSN 24x96x56	24	FSN 23x96x56	23	32	36	6	
FSN 24x96x76	24	FSN 23x96x76	23	32	36	6	
FSN 24x96x96	24	FSN 23x96x96	23	32	36	6	
FSN 24x106x56	24	FSN 23x106x56	23	32	36	6	
FSN 24x106x76	24	FSN 23x106x76	23	32	36	6	
FSN 24x106x86	24	FSN 23x106x86	23	32	36	6	
FSN 34x36x46	34	FSN 33x36x46	33	42	46	6	N 40/N 45/N 50/ N 55/D 30/D 35
FSN 34x36x66	34	FSN 33x36x66	33	42	46	6	
FSN 34x36x86	34	FSN 33x36x86	33	42	46	6	
FSN 34x36x126	34	FSN 33x36x126	33	42	46	6	
FSN 34x56x56	34	FSN 33x56x56	33	42	46	6	
FSN 34x56x66	34	FSN 33x56x66	33	42	46	6	
FSN 34x56x96	34	FSN 33x56x96	33	42	46	6	
FSN 34x56x126	34	FSN 33x56x126	33	42	46	6	
FSN 34x76x66	34	FSN 33x76x66	33	42	46	6	
FSN 34x76x106	34	FSN 33x76x106	33	42	46	6	
FSN 34x76x146	34	FSN 33x76x146	33	42	46	6	
FSN 34x96x66	34	FSN 33x96x66	33	42	46	6	
FSN 34x96x96	34	FSN 33x96x96	33	42	46	6	
FSN 34x96x146	34	FSN 33x96x146	33	42	46	6	
FSN 34x106x56	34	FSN 33x106x56	33	42	46	6	
FSN 34x106x76	34	FSN 33x106x76	33	42	46	6	
FSN 34x106x106	34	FSN 33x106x106	33	42	46	6	
FSN 34x106x146	34	FSN 33x106x146	33	42	46	6	
FSN 34x126x56	34	FSN 33x126x56	33	42	46	6	
FSN 34x126x86	34	FSN 33x126x86	33	42	46	6	
FSN 34x126x126	34	FSN 33x126x126	33	42	46	6	
FSN 34x126x146	34	FSN 33x126x146	33	42	46	6	
FSN 34x146x56	34	FSN 33x146x56	33	42	46	6	
FSN 34x146x86	34	FSN 33x146x86	33	42	46	6	
FSN 34x146x106	34	FSN 33x146x106	33	42	46	6	

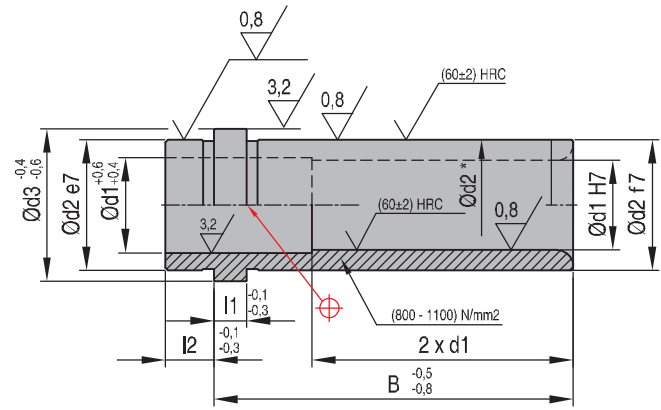
REF d1 x A x B	d1	REF d1 x A x B	d1	d2	d3	I1	series
FSN 42x36x56	42	FSN 41x36x56	41	50	54	6	N 60/ D 40/D 45
FSN 42x36x96	42	FSN 41x36x96	41	50	54	6	
FSN 42x36x126	42	FSN 41x36x126	41	50	54	6	
FSN 42x56x76	42	FSN 41x56x76	41	50	54	6	
FSN 42x56x126	42	FSN 41x56x126	41	50	54	6	
FSN 42x76x76	42	FSN 41x76x76	41	50	54	6	
FSN 42x76x96	42	FSN 41x76x96	41	50	54	6	
FSN 42x76x146	42	FSN 41x76x146	41	50	54	6	
FSN 42x96x76	42	FSN 41x96x76	41	50	54	6	
FSN 42x96x96	42	FSN 41x96x96	41	50	54	6	
FSN 42x96x146	42	FSN 41x96x146	41	50	54	6	
FSN 42x106x76	42	FSN 41x106x76	41	50	54	6	
FSN 42x106x96	42	FSN 41x106x96	41	50	54	6	
FSN 42x106x146	42	FSN 41x106x146	41	50	54	6	
FSN 42x126x86	42	FSN 41x126x86	41	50	54	6	
FSN 42x126x146	42	FSN 41x126x146	41	50	54	6	
FSN 42x146x76	42	FSN 41x146x76	41	50	54	6	
FSN 42x146x96	42	FSN 41x146x96	41	50	54	6	
FSN 42x146x146	42	FSN 41x146x146	41	50	54	6	
FSN 50x96x96	50	FSN 49x96x96	49	60	64	6	D50/D55/D60
FSN 50x96x126	50	FSN 49x96x126	49	60	64	6	
FSN 50x96x186	50	FSN 49x96x186	49	60	64	6	
FSN 50x106x96	50	FSN 49x106x96	49	60	64	6	
FSN 50x106x126	50	FSN 49x106x126	49	60	64	6	
FSN 50x106x186	50	FSN 49x106x186	49	60	64	6	
FSN 50x126x96	50	FSN 49x126x96	49	60	64	6	
FSN 50x126x146	50	FSN 49x126x146	49	60	64	6	
FSN 50x146x106	50	FSN 49x146x106	49	60	64	6	
FSN 50x146x146	50	FSN 49x146x146	49	60	64	6	
FSN 50x166x166	50	FSN 49x166x166	49	60	64	6	
FSN 50x186x186	50	FSN 49x186x186	49	60	64	6	
FSN 50x206x206	50	FSN 49x206x206	49	60	64	6	



FBC

Leader pin bushings

Mat.: 1.7131



(*) B ≤ 36 → d2 = m6

(*) B ≥ 46 → d2 = k6

REF d1 x B	d1	REF d1 x B	d1	d2	d3	l1	l2	series
FBC 10x16	10	FBC 9x16	9	14	16	3	3	N 10
FBC 10x20	10	FBC 9x20	9	14	16	3	3	
FBC 10x26	10	FBC 9x26	9	14	16	3	3	
FBC 10x36	10	FBC 9x36	9	14	16	3	3	
FBC 10x46	10	FBC 9x46	9	14	16	3	3	N 12
FBC 12x20	12	FBC 11x20	11	18	22	6	6	
FBC 12x26	12	FBC 11x26	11	18	22	6	6	
FBC 12x36	12	FBC 11x36	11	18	22	6	6	
FBC 12x46	12	FBC 11x46	11	18	22	6	6	N 16
FBC 12x56	12	FBC 11x56	11	18	22	6	6	
FBC 16x16	16	FBC 15x16	15	24	28	6	9	
FBC 16x26	16	FBC 15x26	15	24	28	6	9	
FBC 16x36	16	FBC 15x36	15	24	28	6	9	N 20/N 22
FBC 16x46	16	FBC 15x46	15	24	28	6	9	
FBC 16x56	16	FBC 15x56	15	24	28	6	9	
FBC 16x66	16	FBC 15x66	15	24	28	6	9	
FBC 16x76	16	FBC 15x76	15	24	28	6	9	N 25/N 30/N 35
FBC 20x26	20	FBC 19x26	19	28	32	6	9	
FBC 20x36	20	FBC 19x36	19	28	32	6	9	
FBC 20x46	20	FBC 19x46	19	28	32	6	9	
FBC 20x56	20	FBC 19x56	19	28	32	6	9	N 25/N 30/N 35
FBC 20x66	20	FBC 19x66	19	28	32	6	9	
FBC 20x76	20	FBC 19x76	19	28	32	6	9	
FBC 20x86	20	FBC 19x86	19	28	32	6	9	
FBC 24x26	24	FBC 23x26	23	32	36	6	9	N 25/N 30/N 35
FBC 24x36	24	FBC 23x36	23	32	36	6	9	
FBC 24x46	24	FBC 23x46	23	32	36	6	9	
FBC 24x56	24	FBC 23x56	23	32	36	6	9	
FBC 24x66	24	FBC 23x66	23	32	36	6	9	
FBC 24x76	24	FBC 23x76	23	32	36	6	9	
FBC 24x86	24	FBC 23x86	23	32	36	6	9	
FBC 24x96	24	FBC 23x96	23	32	36	6	9	
FBC 24x106	24	FBC 23x106	23	32	36	6	9	
FBC 24x126	24	FBC 23x126	23	32	36	6	9	
FBC 24x146	24	FBC 23x146	23	32	36	6	9	

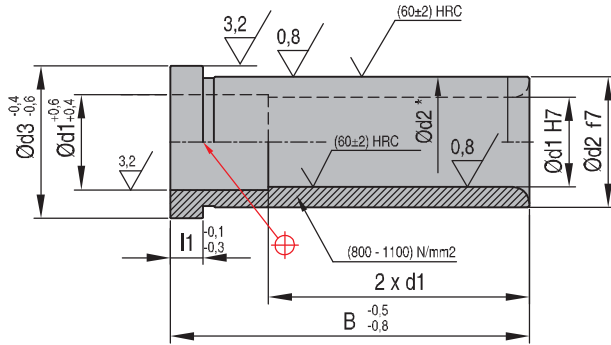
REF d1 x B	d1	REF d1 x B	d1	d2	d3	l1	l2	series
FBC 34x36	34	FBC 33x36	33	42	46	6	9	N 40/N45/N 50/N 55
FBC 34x46	34	FBC 33x46	33	42	46	6	9	
FBC 34x56	34	FBC 33x56	33	42	46	6	9	
FBC 34x76	34	FBC 33x76	33	42	46	6	9	
FBC 34x96	34	FBC 33x96	33	42	46	6	9	
FBC 34x106	34	FBC 33x106	33	42	46	6	9	
FBC 34x126	34	FBC 33x126	33	42	46	6	9	
FBC 34x146	34	FBC 33x146	33	42	46	6	9	
FBC 34x166	34	FBC 33x166	33	42	46	6	9	
FBC 34x186	34	FBC 33x186	33	42	46	6	9	
FBC 34x206	34	FBC 33x206	33	42	46	6	9	N 60
FBC 42x36	42	FBC 41x36	41	50	54	6	9	
FBC 42x56	42	FBC 41x56	41	50	54	6	9	
FBC 42x76	42	FBC 41x76	41	50	54	6	9	
FBC 42x96	42	FBC 41x96	41	50	54	6	9	
FBC 42x106	42	FBC 41x106	41	50	54	6	9	
FBC 42x126	42	FBC 41x126	41	50	54	6	9	
FBC 42x146	42	FBC 41x146	41	50	54	6	9	
FBC 42x166	42	FBC 41x166	41	50	54	6	9	
FBC 42x186	42	FBC 41x186	41	50	54	6	9	
FBC 42x206	42	FBC 41x206	41	50	54	6	9	



Leader pin bushings

Mat.: 1.7131

FBN



(*) $B \leq 36 \rightarrow d2 = m6$
 (*) $B \geq 46 \rightarrow d2 = k6$



REF d1 x B	d1	REF d1 x B	d1	d2	d3	l1	series
FBN 10x16	10	FBN 9x16	9	14	16	3	N 10
FBN 10x20	10	FBN 9x20	9	14	16	3	
FBN 10x26	10	FBN 9x26	9	14	16	3	
FBN 10x36	10	FBN 9x36	9	14	16	3	
FBN 10x46	10	FBN 9x46	9	14	16	3	N 12
FBN 12x20	12	FBN 11x20	11	18	22	6	
FBN 12x26	12	FBN 11x26	11	18	22	6	
FBN 12x36	12	FBN 11x36	11	18	22	6	
FBN 12x46	12	FBN 11x46	11	18	22	6	N 16
FBN 12x56	12	FBN 11x56	11	18	22	6	
FBN 16x16	16	FBN 15x16	15	24	28	6	
FBN 16x17	16	FBN 15x17	15	24	28	6	
FBN 16x22	16	FBN 15x22	15	24	28	6	N 20/N 22
FBN 16x26	16	FBN 15x26	15	24	28	6	
FBN 16x36	16	FBN 15x36	15	24	28	6	
FBN 16x46	16	FBN 15x46	15	24	28	6	
FBN 16x56	16	FBN 15x56	15	24	28	6	N 25/N 30/N 35/ D 25
FBN 16x66	16	FBN 15x66	15	24	28	6	
FBN 16x76	16	FBN 15x76	15	24	28	6	
FBN 20x17	20	FBN 19x17	19	28	32	6	
FBN 20x22	20	FBN 19x22	19	28	32	6	
FBN 20x26	20	FBN 19x26	19	28	32	6	
FBN 20x36	20	FBN 19x36	19	28	32	6	
FBN 20x46	20	FBN 19x46	19	28	32	6	
FBN 20x56	20	FBN 19x56	19	28	32	6	
FBN 20x66	20	FBN 19x66	19	28	32	6	
FBN 20x76	20	FBN 19x76	19	28	32	6	
FBN 20x86	20	FBN 19x86	19	28	32	6	
FBN 24x17	24	FBN 23x17	23	32	36	6	
FBN 24x22	24	FBN 23x22	23	32	36	6	
FBN 24x26	24	FBN 23x26	23	32	36	6	
FBN 24x36	24	FBN 23x36	23	32	36	6	
FBN 24x46	24	FBN 23x46	23	32	36	6	
FBN 24x56	24	FBN 23x56	23	32	36	6	
FBN 24x66	24	FBN 23x66	23	32	36	6	
FBN 24x76	24	FBN 23x76	23	32	36	6	
FBN 24x86	24	FBN 23x86	23	32	36	6	
FBN 24x96	24	FBN 23x96	23	32	36	6	
FBN 24x106	24	FBN 23x106	23	32	36	6	

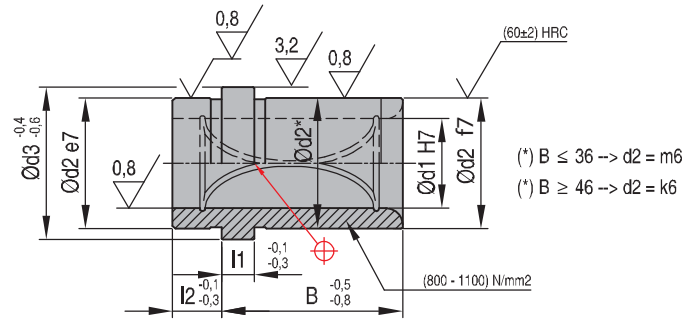
REF d1 x B	d1	REF d1 x B	d1	d2	d3	l1	series
FBN 34x26	34	FBN 33x26	33	42	46	6	N 40/N45/N 50/N 55/ D 30/D35
FBN 34x36	34	FBN 33x36	33	42	46	6	
FBN 34x56	34	FBN 33x56	33	42	46	6	
FBN 34x76	34	FBN 33x76	33	42	46	6	
FBN 34x96	34	FBN 33x96	33	42	46	6	N 60/ D 40/D 45
FBN 34x106	34	FBN 33x106	33	42	46	6	
FBN 34x126	34	FBN 33x126	33	42	46	6	
FBN 34x146	34	FBN 33x146	33	42	46	6	
FBN 42x36	42	FBN 41x36	41	50	54	6	D 50/D 55/D 60
FBN 42x56	42	FBN 41x56	41	50	54	6	
FBN 42x76	42	FBN 41x76	41	50	54	6	
FBN 42x96	42	FBN 41x96	41	50	54	6	
FBN 42x106	42	FBN 41x106	41	50	54	6	
FBN 42x126	42	FBN 41x126	41	50	54	6	
FBN 42x146	42	FBN 41x146	41	50	54	6	
FBN 50x96	50	FBN 49x96	49	60	64	6	
FBN 50x106	50	FBN 49x106	49	60	64	6	
FBN 50x126	50	FBN 49x126	49	60	64	6	
FBN 50x146	50	FBN 49x146	49	60	64	6	
FBN 50x166	50	FBN 49x166	49	60	64	6	
FBN 50x186	50	FBN 49x186	49	60	64	6	
FBN 50x206	50	FBN 49x206	49	60	64	6	



GEB

Bronze plated bushings

Mat.: 1.7131

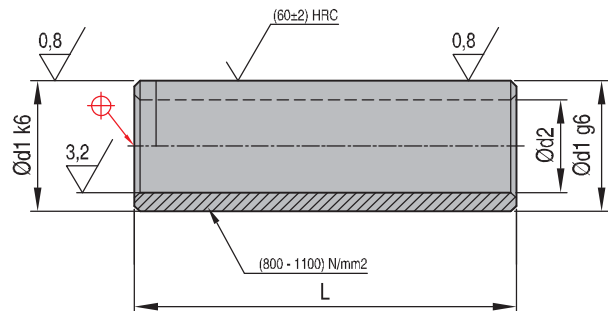


REF d1 x B	B	d1	d2	d3	I1	I2
GEB 16x16	16	16	24	28	6	9
GEB 20x26	26	20	28	32	6	9
GEB 24x26	26	24	32	36	6	9
GEB 24x36	36	24	32	36	6	9
GEB 34x36	36	34	42	46	6	9
GEB 34x46	46	34	42	46	6	9

TD

Locating sleeves

Mat.: 1.7131



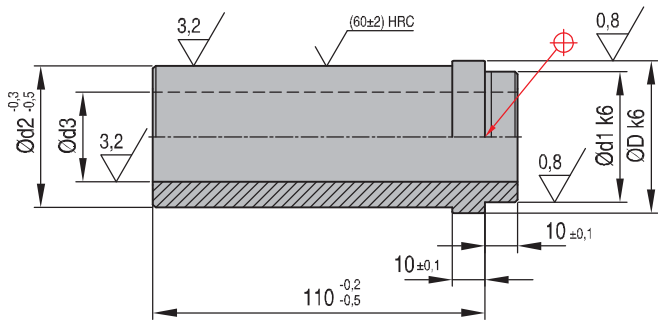
REF d1 x L	d1	d2	L	series
TD 14x30	14	11	30	N 10
TD 14x40	14	11	40	
TD 14x50	14	11	50	
TD 14x60	14	11	60	N 12
TD 18x30	18	13	30	
TD 18x46	18	13	46	
TD 18x66	18	13	66	N 16
TD 24x30	24	17	30	
TD 24x50	24	17	50	
TD 24x60	24	17	60	N 20/ N22
TD 24x76	24	17	76	
TD 24x86	24	17	86	
TD 24x96	24	17	96	N 25/ N30/ N 35
TD 28x60	28	21	60	
TD 28x80	28	21	80	
TD 28x100	28	21	100	N 40/ N 45/ N 50/ N 55
TD 28x120	28	21	120	
TD 28x140	28	21	140	
TD 32x60	32	25	60	N 60
TD 32x100	32	25	100	
TD 32x120	32	25	120	
TD 32x140	32	25	140	N 60
TD 32x160	32	25	160	
TD 42x60	42	34	60	
TD 42x130	42	34	130	N 60
TD 42x160	42	34	160	
TD 42x180	42	34	180	
TD 50x60	50	43	60	N 60
TD 50x130	50	43	130	
TD 50x160	50	43	160	
TD 50x180	50	43	180	



ZH

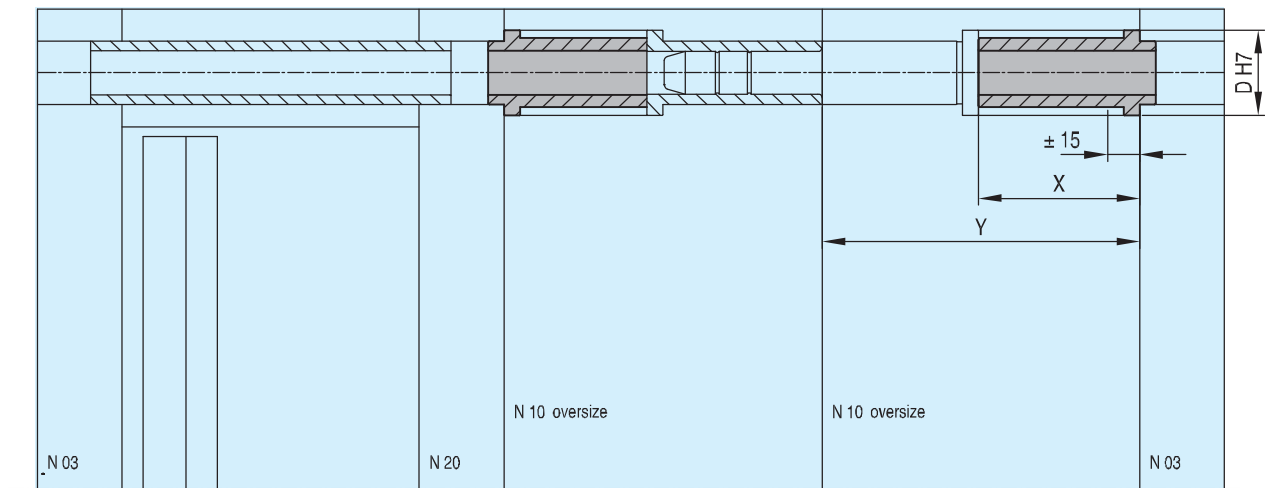
Locating sleeves

Mat.: 1.7131



REF	D	d1	d2	d3	series
ZH 28	28	24	27,5	17	16
ZH 32	32	28	31,5	21	20-22
ZH 36	36	32	35,5	25	25-35
ZH 46	46	42	45,5	36	40-55
ZH 54	54	50	53,5	43	60

D \ Y	X																	
	86	96	106	116	126	136	146	156	166	176	186	196	206	216	226	236	246	256
28	10	20	30	40	50	60	70	80	90	100	110							
32		10	20	30	40	50	60	70	80	90	100	110						
36				10	20	30	40	50	60	70	80	90	100	110				
46								10	20	30	40	50	60	70	80	90	100	110
54								10	20	30	40	50	60	70	80	90	100	110

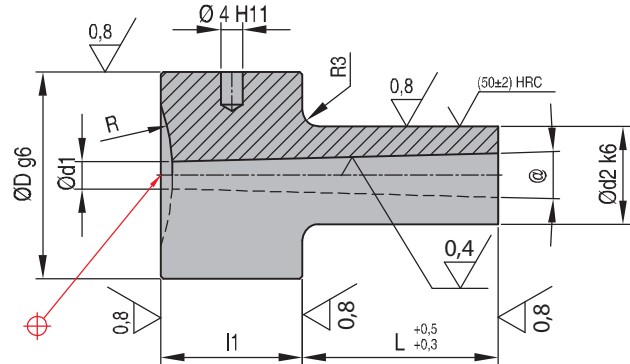




AGK - AGN - AGM - AG

Sprue bushings

Mat.: 1.2826



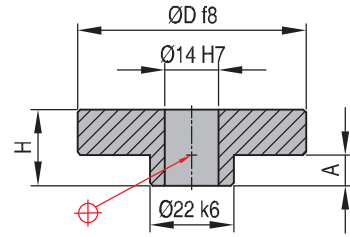
REF L x d1 x R	L	d1	D	d2	l1	@	series
AGK 20x2,5xR 0	20	2,5	28	12	16	3°	12
AGK 26x2,5xR 0	26	2,5	28	12	16	3°	
AGK 46x2,5xR 0	46	2,5	28	12	16	3°	
AGK 20x2,5xR 15,5	20	2,5	28	12	16	3°	
AGK 26x2,5xR 15,5	26	2,5	28	12	16	3°	
AGK 46x2,5xR 15,5	46	2,5	28	12	16	3°	
AGK 20x3,5xR 0	20	3,5	28	12	16	3°	
AGK 26x3,5xR 0	26	3,5	28	12	16	3°	
AGK 36x3,5xR 0	36	3,5	28	12	16	3°	
AGK 46x3,5xR 0	46	3,5	28	12	16	3°	
AGK 56x3,5xR 0	56	3,5	28	12	16	3°	
AGK 20x3,5xR 15,5	20	3,5	28	12	16	3°	
AGK 26x3,5xR 15,5	26	3,5	28	12	16	3°	
AGK 36x3,5xR 15,5	36	3,5	28	12	16	3°	
AGK 46x3,5xR 15,5	46	3,5	28	12	16	3°	
AGK 56x3,5xR 15,5	56	3,5	28	12	16	3°	
AGN 26x2,5xR 0	26	2,5	38	18	20	3°	16
AGN 46x2,5xR 0	46	2,5	38	18	20	3°	
AGN 26x2,5xR 15,5	26	2,5	38	18	20	3°	
AGN 46x2,5xR 15,5	46	2,5	38	18	20	3°	
AGN 26x2,5xR 40	26	2,5	38	18	20	3°	
AGN 46x2,5xR 40	46	2,5	38	18	20	3°	
AGN 26x3,5xR 0	26	3,5	38	18	20	3°	20->35
AGN 36x3,5xR 0	36	3,5	38	18	20	3°	
AGN 46x3,5xR 0	46	3,5	38	18	20	3°	
AGN 56x3,5xR 0	56	3,5	38	18	20	3°	
AGN 66x3,5xR 0	66	3,5	38	18	20	3°	
AGN 76x3,5xR 0	76	3,5	38	18	20	3°	
AGN 26x3,5xR 15,5	26	3,5	38	18	20	3°	
AGN 36x3,5xR 15,5	36	3,5	38	18	20	3°	
AGN 46x3,5xR 15,5	46	3,5	38	18	20	3°	
AGN 56x3,5xR 15,5	56	3,5	38	18	20	3°	
AGN 66x3,5xR 15,5	66	3,5	38	18	20	3°	
AGN 76x3,5xR 15,5	76	3,5	38	18	20	3°	
AGN 26x3,5xR 40	26	3,5	38	18	20	3°	
AGN 36x3,5xR 40	36	3,5	38	18	20	3°	
AGN 46x3,5xR 40	46	3,5	38	18	20	3°	
AGN 56x3,5xR 40	56	3,5	38	18	20	3°	
AGN 66x3,5xR 40	66	3,5	38	18	20	3°	
AGN 76x3,5xR 40	76	3,5	38	18	20	3°	
AGM 26x3,5xR 0	26	3,5	38	18	26	3°	20->35
AGM 36x3,5xR 0	36	3,5	38	18	26	3°	
AGM 46x3,5xR 0	46	3,5	38	18	26	3°	
AGM 56x3,5xR 0	56	3,5	38	18	26	3°	
AGM 66x3,5xR 0	66	3,5	38	18	26	3°	
AGM 76x3,5xR 0	76	3,5	38	18	26	3°	
AGM 26x3,5xR 15,5	26	3,5	38	18	26	3°	
AGM 36x3,5xR 15,5	36	3,5	38	18	26	3°	
AGM 46x3,5xR 15,5	46	3,5	38	18	26	3°	
AGM 56x3,5xR 15,5	56	3,5	38	18	26	3°	
AGM 66x3,5xR 15,5	66	3,5	38	18	26	3°	
AGM 76x3,5xR 15,5	76	3,5	38	18	26	3°	

REF L x d1 x R	L	d1	D	d2	l1	@	series
AGM 26x3,5xR 40	26	3,5	38	18	26	3°	20->35
AGM 36x3,5xR 40	36	3,5	38	18	26	3°	
AGM 46x3,5xR 40	46	3,5	38	18	26	3°	
AGM 56x3,5xR 40	56	3,5	38	18	26	3°	
AGM 66x3,5xR 40	66	3,5	38	18	26	3°	
AGM 76x3,5xR 40	76	3,5	38	18	26	3°	
AGM 46x5xR 0	46	5,0	38	18	26	3°	
AGM 76x5xR 0	76	5,0	38	18	26	3°	
AGM 46x5xR 15,5	46	5,0	38	18	26	3°	
AGM 76x5xR 15,5	76	5,0	38	18	26	3°	
AGM 46x5xR 40	46	5,0	38	18	26	3°	
AGM 76x5xR 40	76	5,0	38	18	26	3°	
AG 26x5xR 0	26	5,0	50	25	26	2°	20->60
AG 36x5xR 0	36	5,0	50	25	26	2°	
AG 46x5xR 0	46	5,0	50	25	26	2°	
AG 56x5xR 0	56	5,0	50	25	26	2°	
AG 66x5xR 0	66	5,0	50	25	26	2°	
AG 76x5xR 0	76	5,0	50	25	26	2°	
AG 86x5xR 0	86	5,0	50	25	26	2°	
AG 96x5xR 0	96	5,0	50	25	26	2°	
AG 106x5xR 0	106	5,0	50	25	26	2°	
AG 126x5xR 0	126	5,0	50	25	26	2°	
AG 26x5xR 15,5	26	5,0	50	25	26	2°	
AG 36x5xR 15,5	36	5,0	50	25	26	2°	
AG 46x5xR 15,5	46	5,0	50	25	26	2°	
AG 56x5xR 15,5	56	5,0	50	25	26	2°	
AG 66x5xR 15,5	66	5,0	50	25	26	2°	
AG 76x5xR 15,5	76	5,0	50	25	26	2°	
AG 86x5xR 15,5	86	5,0	50	25	26	2°	
AG 96x5xR 15,5	96	5,0	50	25	26	2°	
AG 106x5xR 15,5	106	5,0	50	25	26	2°	
AG 126x5xR 15,5	126	5,0	50	25	26	2°	
AG 26x5xR 40	26	5,0	50	25	26	2°	
AG 36x5xR 40	36	5,0	50	25	26	2°	
AG 46x5xR 40	46	5,0	50	25	26	2°	
AG 56x5xR 40	56	5,0	50	25	26	2°	
AG 66x5xR 40	66	5,0	50	25	26	2°	
AG 76x5xR 40	76	5,0	50	25	26	2°	
AG 86x5xR 40	86	5,0	50	25	26	2°	
AG 96x5xR 40	96	5,0	50	25	26	2°	
AG 106x5xR 40	106	5,0	50	25	26	2°	
AG 126x5xR 40	126	5,0	50	25	26	2°	
AG 116x7xR 0	116	7,0	50	25	26	2°	
AG 136x7xR 0	136	7,0	50	25	26	2°	
AG 156x7xR 0	156	7,0	50	25	26	2°	
AG 116x7xR 15,5	116	7,0	50	25	26	2°	
AG 136x7xR 15,5	136	7,0	50	25	26	2°	
AG 156x7xR 15,5	156	7,0	50	25	26	2°	
AG 116x7xR 40	116	7,0	50	25	26	2°	
AG 136x7xR 40	136	7,0	50	25	26	2°	
AG 156x7xR 40	156	7,0	50	25	26	2°	



Locating rings Mat.: St. 37-2

REF	D	H	A	series
R 40	40	12	6	10
R 60	60	12	6	10
R 60 L	60	22	16	10

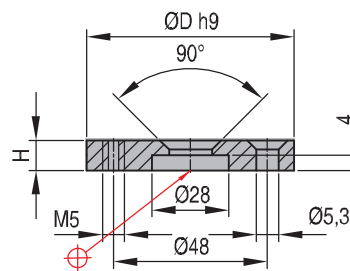


R



Locating rings Mat.: St. 37-2

REF	D	H	series
R 60 12	60	8	12

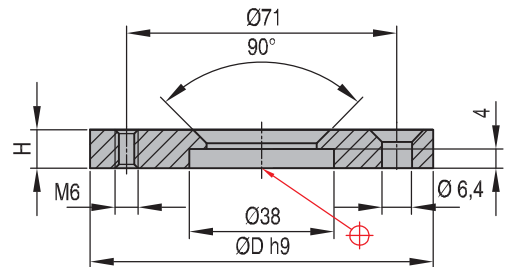


R



Locating rings Mat.: St. 37-2

REF	D	H	series
R 90	90	8	16

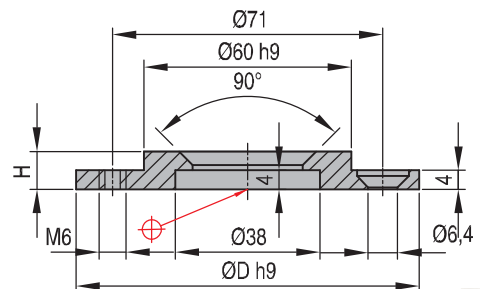


R



Locating rings Mat.: St. 37-2

REF	D	H	series
R 91	90	8	16



R

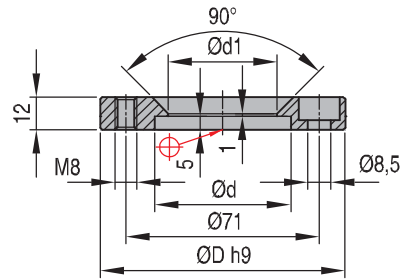
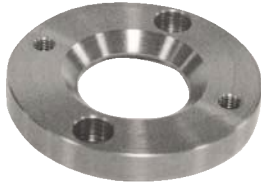




R

Locating rings

Mat.: St. 37-2

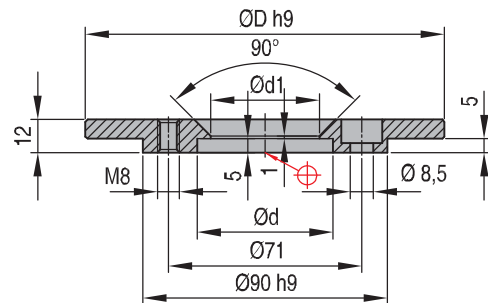


REF	D	d	d1	series
R 95	90	50	40	20-->60
R 96	90	38	32	20-->60

R

Locating rings

Mat.: St. 37-2

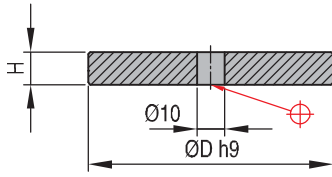


REF	D	d	d1	series
R 101	100	50	40	16-->67
R 100	100	38	32	16-->75
R 111	110	50	40	16-->83
R 110	110	38	32	16-->91
R 121	120	50	40	16-->99
R 120	120	38	32	16-->107
R 126	125	50	40	16-->115
R 125	125	38	32	16-->123
R 151	150	50	40	16-->131
R 150	150	38	32	16-->139
R 161	160	50	40	16-->147
R 160	160	38	32	16-->155
R 176	175	50	40	16-->163
R 175	175	38	32	16-->171
R 201	200	50	40	16-->179
R 200	200	38	32	16-->187
R 251	250	50	40	16-->195
R 250	250	38	32	16-->203
R 4 1	4"	50	40	16-->211
R 4	4"	38	32	16-->219



Locating rings Mat.: St. 37-2

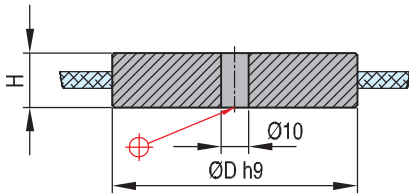
RB



REF	D	H	series
RB 60-8	60	8	16-->60
RB 90-12	90	12	16-->60

Locating rings Mat.: St. 37-2

RB



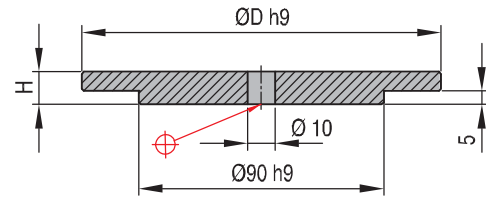
REF	D	H	series
RB 90-22	90	22	16-->60



RB

Locating rings

Mat.: St. 37-2

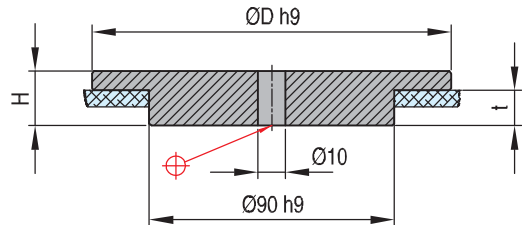


REF	D	H	series
RB 100-12	100	12	16-->60
RB 110-12	110	12	16-->60
RB 120-12	120	12	16-->60
RB 125-12	125	12	16-->60
RB 150-12	150	12	16-->60
RB 160-12	160	12	16-->60
RB 175-12	175	12	16-->60
RB 200-12	200	12	16-->60
RB 250-12	250	12	16-->60

RB

Locating rings

Mat.: St. 37-2



REF	D	t	H	series
RB 100-18	100	11	18	16-->60
RB 110-18	110	11	18	16-->60
RB 120-18	120	11	18	16-->60
RB 125-18	125	11	18	16-->60
RB 150-18	150	11	18	16-->60
RB 160-18	160	11	18	16-->60
RB 175-18	175	11	18	16-->60
RB 200-18	200	11	18	16-->60
RB 250-18	250	11	18	16-->60
RB 100-22	100	15	22	16-->60
RB 110-22	110	15	22	16-->60
RB 120-22	120	15	22	16-->60
RB 125-22	125	15	22	16-->60
RB 150-22	150	15	22	16-->60
RB 160-22	160	15	22	16-->60
RB 175-22	175	15	22	16-->60
RB 200-22	200	15	22	16-->60
RB 250-22	250	15	22	16-->60