

Ottone nichelato – nickel-plated brass

PC2101-2-3



PC2104-5-6 **160**



Ottone nichelato – nickel-plated brass

PC2107-8-9



PC2110-11-12 **161**



Ottone nichelato – nickel-plated brass

PC2113-14-15



PC2116-17-18 **162**



Ottone nichelato – nickel-plated brass

PC2133-34 **163**



Acciaio Inox
Stainless Steel

PC2122



PC2123



PC2121 **164**



Alta pressione 2 e 3 vie
2 and 3 Gates, High Pressure

PH1310



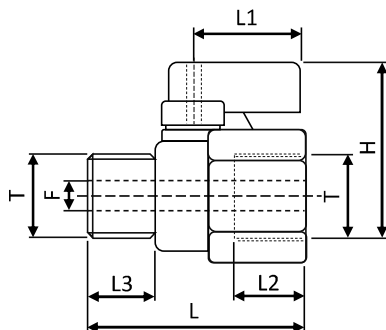
PH1311 **165**



PH1343 **166**



PC2101 MINI VALVOLA A SFERA M/F FILETTO BSPP ISO228 IN OTTONE CROMATO. LEVA ALLUMINIO
MINI BRASS BALL VALVE M/F ISO228 BSPP THREAD, CHROME PLATED. ALUMINUM LEVER



PC2102



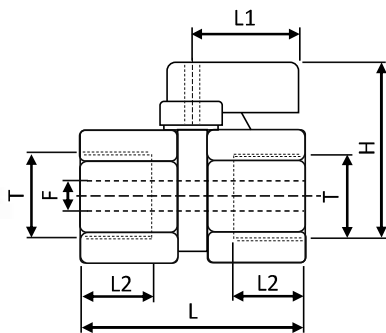
PC2103



Codice-Code	ØT	L	L1	H	L2	L3	F	max bar	max temp	
-------------	----	---	----	---	----	----	---	---------	----------	--

PC2101-G014	1/4"BSPP	40	26	12	10	6	16	120°C	5	
PC2102-G014	1/4"BSPP									
PC2103-G014	1/4"BSPP	41	27	12	10	8	16	120°C	1	
PC2101-G038	3/8"BSPP									
PC2102-G038	3/8"BSPP	44	31	12	11	10	16	120°C	1	
PC2103-G038	3/8"BSPP									
PC2101-G012	1/2"BSPP	50	34	12	13	13	16	120°C	1	
PC2102-G012	1/2"BSPP									
PC2101-G034	3/4"BSPP	50	34	12	13	13	16	120°C	1	
PC2102-G034	3/4"BSPP									
PC2103-G034	3/4"BSPP									

PC2104 MINI VALVOLA A SFERA F/F FILETTO BSPP ISO228 IN OTTONE CROMATO. LEVA ALLUMINIO
MINI BRASS BALL VALVE F/F ISO228 BSPP THREAD, CHROME PLATED. ALUMINUM LEVER



PC2105



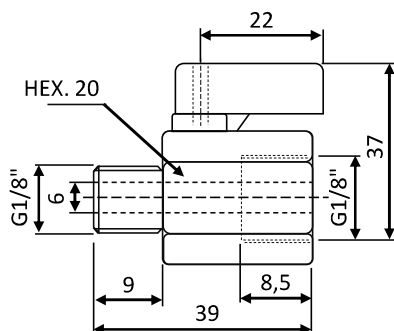
PC2106



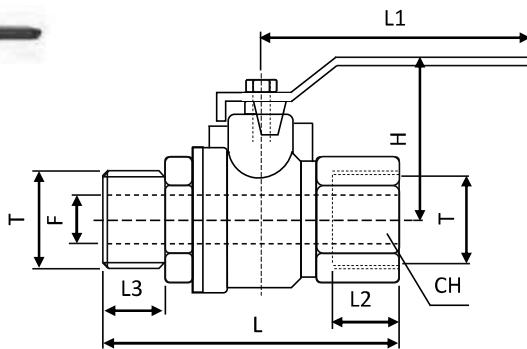
Codice-Code	ØT	L	L1	H	L2	L3	F	max bar	max temp	
-------------	----	---	----	---	----	----	---	---------	----------	--

PC2104-G014	1/4"BSPP	42	26		-	6	16	120°C	5	
PC2105-G014	1/4"BSPP									
PC2106-G014	1/4"BSPP	42	23	27	12	-	8	16	120°C	1
PC2104-G038	3/8"BSPP									
PC2105-G038	3/8"BSPP	45	31		-	10	16	120°C	1	
PC2106-G038	3/8"BSPP									
PC2104-G012	1/2"BSPP	45	31		-	10	16	120°C	1	
PC2105-G012	1/2"BSPP									
PC2106-G012	1/2"BSPP									

PC2103-G018 MICRO VALVOLA A SFERA F/F FILETTO BSPP 1/8" ISO228 IN OTTONE CROMATO. LEVA IN PLASTICA
MINI BRASS BALL VALVE F/F ISO228 1/8" BSPP THREAD, CHROME PLATED. PLASTIC LEVER



PC2107 VALVOLA A SFERA M/F FILETTO BSPP IN OTTONE NICHELATO. LEVA IN ACCIAIO
BRASS BALL VALVE M/F BSPP THREAD, NICKEL PLATED. STEEL LEVER



PC2108

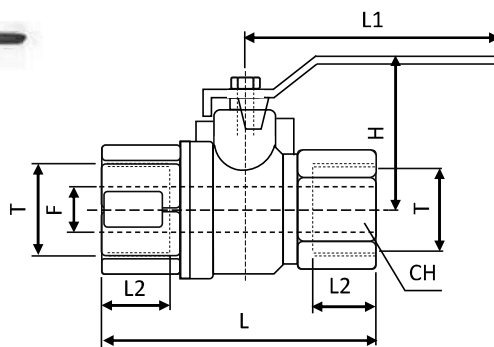


PC2109



Codice-Code	CH	ØT	F	L	L1	H	L2	L3	max bar	max temp	
PC2107-G014	21	G1/4"	10	42	80	41	12	12	40	160°C	10
PC2108-G014											10
PC2109-G014											10
PC2107-G038	21	G3/8"	10	54	80	41	12	12			10
PC2108-G038											10
PC2109-G038											10
PC2107-G012	26	G1/2"	15	70	90	54	17	15			5
PC2108-G012											5
PC2109-G012											5
PC2107-G034	31	G3/4"	20	80	90	58	20	16			5
PC2108-G034											5
PC2109-G034											5
PC2107-G100											1
PC2108-G100	38	G1"	25	92	125	66	21	19			1
PC2109-G100											1
PC2107-G114											1
PC2108-G114	48	G1"1/4	32	102	125	71	22	21			1
PC2109-G114											1

PC2110 VALVOLA A SFERA F/F FILETTO BSPP IN OTTONE CROMATO. LEVA IN ACCIAIO
BRASS BALL VALVE F/F BSPP THREAD, CHROME PLATED. STEEL LEVER



PC2111

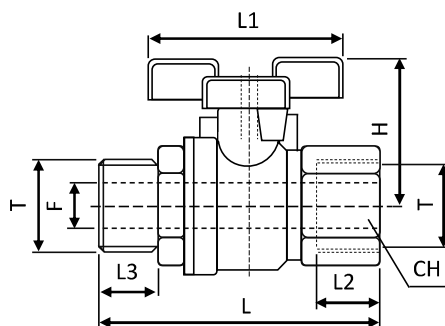


PC2112



Codice-Code	CH	ØT	F	L	L1	H	L2	L3	max bar	max temp	
PC2110-G014	21	G1/4"	10	45	80	41	12	-	40	160°C	10
PC2111-G014											10
PC2112-G014											10
PC2110-G038	21	G3/8"	10	45	80	41	12	-			10
PC2111-G038											10
PC2112-G038											10
PC2110-G012	26	G1/2"	15	63	90	54	17	-			5
PC2111-G012											5
PC2112-G012											5
PC2110-G034	31	G3/4"	20	71	90	58	20	-			5
PC2111-G034											5
PC2112-G034											5
PC2110-G100											1
PC2111-G100	38	G1"	25	83	125	66	21	-			1
PC2112-G100											1
PC2110-G114											1
PC2111-G114	48	G1"1/4	32	92	125	71	22	-			1
PC2112-G114											1

PC2113 VALVOLA A SFERA M/F FILETTO BSPP IN OTTONE NICHELATO. LEVA A FARFALLA IN ALLUMINIO
BRASS BALL VALVE M/F BSPP THREAD, NICKEL PLATED. BUTTERFLY ALUMINUM HANDLE



PC2114



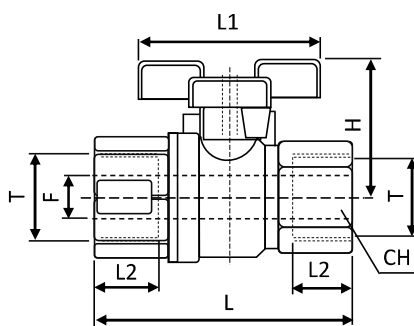
PC2115



Codice-Code	CH	ØT	F	L	L1	H	L2	L3	max bar	max temp	
-------------	----	----	---	---	----	---	----	----	---------	----------	--

PC2113-G014											10
PC2114-G014	21	G1/4"	10	42	80	41	12	12			10
PC2115-G014											10
PC2113-G038											10
PC2114-G038	21	G3/8"	10	54	80	41	12	12			10
PC2115-G038											10
PC2113-G012											5
PC2114-G012	26	G1/2"	15	70	90	54	17	15	40	160°C	5
PC2115-G012											5
PC2113-G034											5
PC2114-G034	31	G3/4"	20	80	90	58	20	16			5
PC2115-G034											5
PC2113-G100											1
PC2114-G100	38	G1"	25	92	125	66	21	19			1
PC2115-G100											1

PC2116 VALVOLA A SFERA F/F FILETTO BSPP IN OTTONE CROMATO. LEVA A FARFALLA IN ALLUMINIO
BRASS BALL VALVE F/F BSPP THREAD, CHROME PLATED. BUTTERFLY ALUMINUM HANDLE



PC2117



PC2118



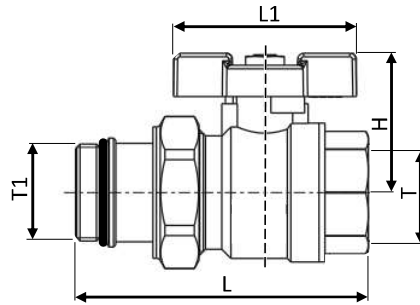
Codice-Code	CH	ØT	F	L	L1	H	L2	L3	max bar	max temp	
-------------	----	----	---	---	----	---	----	----	---------	----------	--

PC2116-G014											10
PC2117-G014	21	G1/4"	10	45	80	41	12	-			10
PC2118-G014											10
PC2116-G038											10
PC2117-G038	21	G3/8"	10	45	80	41	12	-			10
PC2118-G038											10
PC2116-G012											5
PC2117-G012	26	G1/2"	15	63	90	54	17	-	40	160°C	5
PC2118-G012											5
PC2116-G034											5
PC2117-G034	31	G3/4"	20	71	90	58	20	-			5
PC2118-G034											5
PC2116-G100											1
PC2117-G100	38	G1"	25	83	125	66	21	-			1
PC2118-G100											1

PC2133 VALVOLA A SFERA CON BOCCHETTONE MAX 110°C 25 BAR
BALL VALVE WITH SWIVEL FITTING MAX 110°C 25 BAR



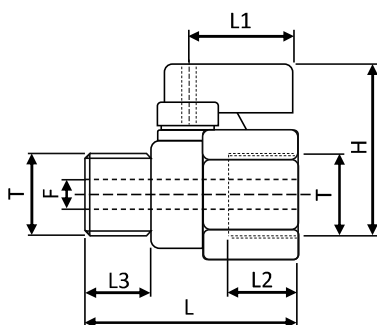
PC2134



Codice-Code	T	T1
PC2133-G012	G 1/2"	G 1/2"
PC2133-G034	G 3/4"	G 3/4"
PC2133-G100	G 1"	G 1"
PC2134-G012	G 1/2"	G 1/2"
PC2134-G034	G 3/4"	G 3/4"
PC2134-G100	G 1"	G 1"



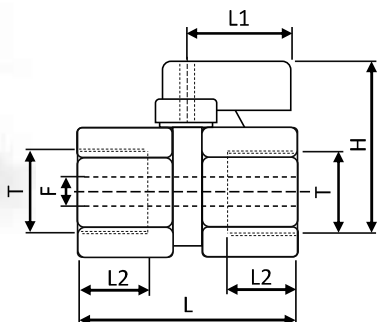
PC2122 MINI VALVOLA A SFERA INOX – AISI 316 – M/F FILETTO BSPP
INOX – AISI 316 – MINI BALL VALVE M/F BSPP THREAD



Codice-Code | CH | F | L | L1 | H | L2 | L3 | ØT | max bar | max temp |

PC2122-G014	21	6	40	22	26	9	9	G1/4"	63	120°C	5
PC2122-G038	21	8	40	22	26	10	10	G3/8"			
PC2122-G012	26	10	46	22	28	11	11	G1/2"			

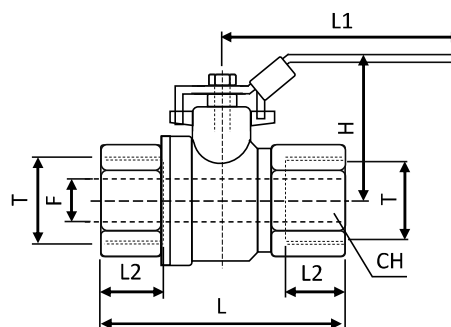
PC2123 MINI VALVOLA A SFERA INOX – AISI 316 – F/F FILETTO BSPP
INOX – AISI 316 – MINI BALL VALVE F/F BSPP THREAD



Codice-Code | CH | F | L | L1 | H | L2 | L3 | ØT | max bar | max temp |

PC2123-G014	21	6	40	22	26	9	9	G1/4"	63	120°C	5
PC2123-G038	21	8	40	22	26	10	10	G3/8"			
PC2123-G012	26	10	46	22	28	11	11	G1/2"			

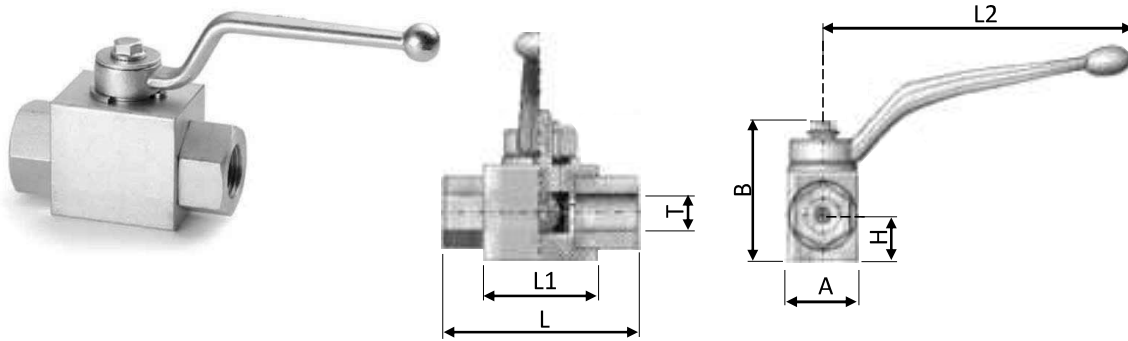
PC2121 VALVOLA A SFERA INOX – AISI 316 – F/F FILETTO BSPP
INOX – AISI 316 – BALL VALVE F/F BSPP THREAD



Codice-Code | CH | F | L | L1 | H | L2 | L3 | ØT | max bar | max temp |

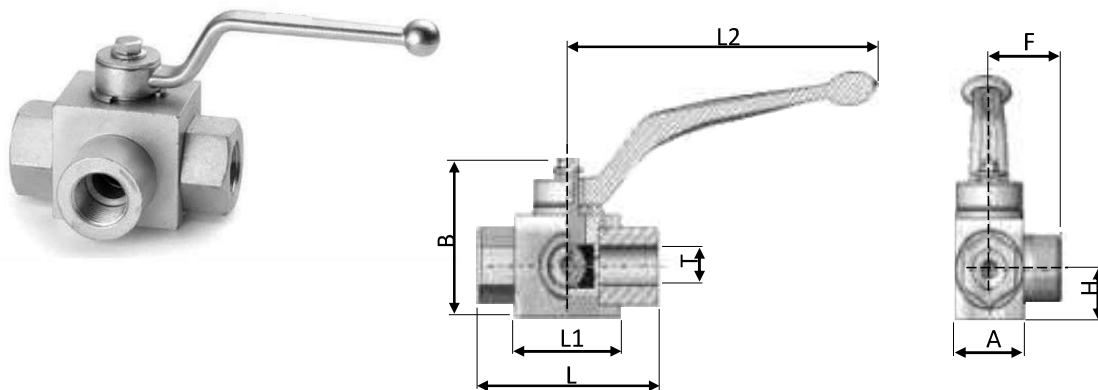
PC2121-G014	21	12	49	100	48	12	-	G1/4"	70	180°C	5
PC2121-G038	21	13	49	100	48	12	-	G3/8"			5
PC2121-G012	26	15	55	100	52	17	-	G1/2"			5
PC2121-G034	31	20	66	115	57	20	-	G3/4"			1
PC2121-G100	38	25	79	150	75	21	-	G1"			1
PC2121-G114	48	32	90	150	80	22	-	G1 1/4"			1

PH1310 VALVOLA A SFERA ALTA PRESSIONE FILETTO BSPP FEMMINA
HIGH PRESSURE BALL VALVE BSPP FEMALE THREAD



Codice-Code	A	B	F	H	L	L1	L2	T	max Bar
PH1310-G014	26	47	-	13.5	69	40	115	G1/4"	500
PH1310-G038	32	52	-	17.5	72	43	115	G3/8"	500
PH1310-G012	35	54	-	19	83	48	115	G1/2"	500
PH1310-G034	49	75	-	24.5	95	62	200	G3/4"	315

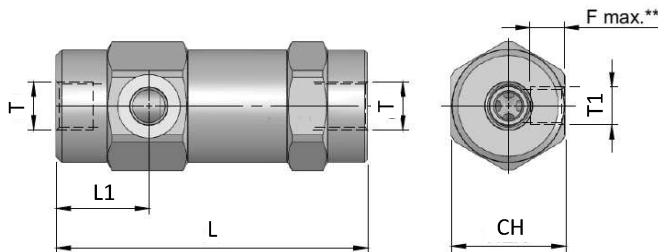
PH1311 VALVOLA A SFERA ALTA PRESSIONE A TRE VIE FILETTO BSPP FEMMINA
THREE WAYS HIGH PRESSURE BALL VALVE BSPP FEMALE THREAD



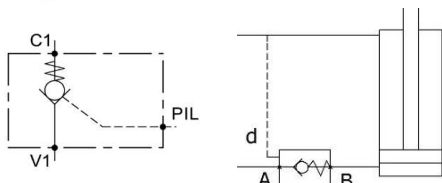
Codice-Code	A	B	F	H	L	L1	L2	T	max Bar
PH1311-G014	26	47	-	13.5	69	40	115	G1/4"	315
PH1311-G038	32	52	-	17.5	72	43	115	G3/8"	315
PH1311-G012	35	54	-	19	83	48	115	G1/2"	315
PH1311-G034	49	75	-	24.5	95	62	200	G3/4"	315



PH1343 VALVOLA DI RITEGNO AD APERTURA PILOTATA
PILOT-OPERATED CHECK VALVE



** Maximum fittings depth
** Profondità massima dei raccordi.



Codice-Code	CH	F max	L	L1	T	T1	max l/min	max Bar
PH1343-G014	36	12	103	30	G1/4"	G1/4"	15	400
PH1343-G038	40	12	109	33	G3/8"	G1/4"	30	400
PH1343-G012	42	12	122	36	G1/2"	G1/4"	50	400
PH1343-G034	55	14	131	40	G3/4"	G1/4"	80	400

KIT COMPLETO PER VALVOLA DI RITEGNO AD APERTURA PILOTATA
PILOT-OPERATED CHECK VALVE COMPLETE ASSEMBLY KIT

Per il funzionamento della valvola di ritegno è necessaria l'installazione di un minimo di componenti e tubi da aggiungere all'impianto esistente. In questa sezione proponiamo un kit da integrare ad un impianto tipo (ad esempio con la preesistenza di un tubo per la mandata ed uno per il ritorno) con un semplice configuratore per la definizione di un codice.

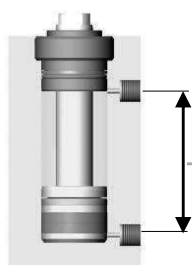
The installation of the pilot-operated check valve require the use of several extra hydraulic components, nipples and plugs. As to simplify this installation we provide a complete assembly-kit for short-stroke block cylinders, in two layout: side layout (sample 1) or back layout (sample 2). The overall dimensions can be defined by us by informing us about the Hydraulic cylinder Code (European Standards) or by suppling the cylinder oil port length and the hoses lenght (see drawing here below)

Esempio di codice ordine – Order code sample

PH1143-G014-350-B-0500

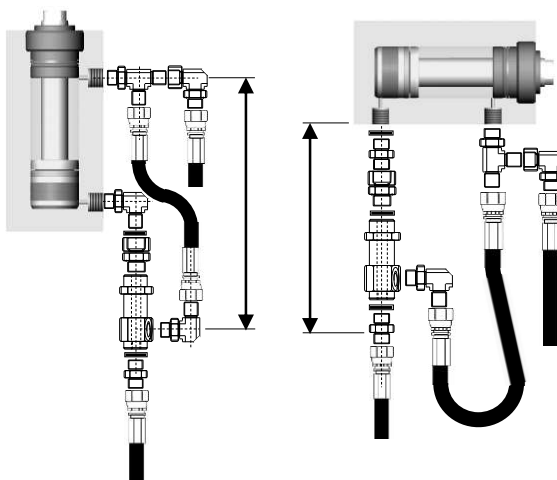


Misura orifizi cilindro - Cylinder oil port size
G1/4" cod. G014
G3/8" cod. G038
G1/2" cod. G012



Interasse orifizi cilindro mm. (±10)
Cylinder oil port distance mm. (±10)

Cod. layout Laterale - Side layout code: S
Cod. layout Posteriore – Bottom layout code: B



Ingombro totale kit (±50)
overall kit lenght mm. (±50)

Le immagini esposte sono solo esemplificative. Non corrispondono necessariamente alla reale consistenza di componenti.
The images are only as samples. They don't show precisely the type of components used in the application.