

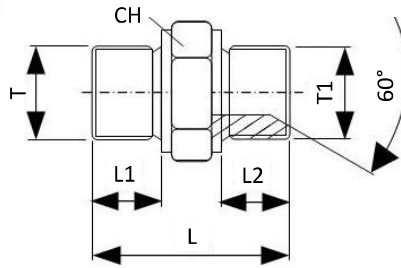


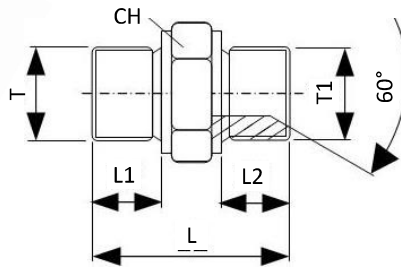
104	PC2207 	PH1107 	PC2307 	PC2205 	PC2209 	PC2309 	105
106	PC2208 	PC2221 	PC2222 	PH1122 	PC2220 	PC2223 	107
108	PH1123 	PC2225 	PC2224 	PC2218 	PH1118 	PC2318 	109
110	PC2213 	PC2214 	PH1114 	PC2313 	PC2253 	PC2363 	111
112	PC2210 	PH1110 	PC2310 	PH1137 	PH1167 	PH1143 	113
114	PH1147 	PH1142 		PC2211 	PC2311 	PC2212 	115
116	PC2312 	PH1116 	PH1145 	PH1148 	PH1141 	PH1115 	117
118	PH1138 	PH1139 	PH1140 	PH1144 	PH1124 	PH1117 	119
120	PC2217 	PH1128 	PC2246 	PC2249 	PH1150 	PC2271 	121
122	PC2238 	PC2239 	PC2255 	PC2256 	PH1199 	PH1198 	123
	PC2215 						

PC2207 NIPLO OTTONE MASCHIO-MASCHIO BSPP CONO 60°
BRASS MALE-MALE FITTING BSPP WITH 60° CONE



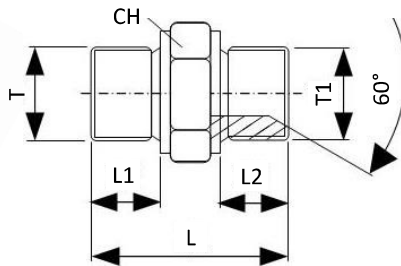
Codice-Code	CH	F	L	L1	ØT	ØT1	max bar	
PC2207-G018	17	5	21	-	G1/8"	G1/8"	30	25
PC2207-G018-G014	17	5	23	-	G1/8"	G1/4"		25
PC2207-G018-G038	19	5	25	-	G1/8"	G3/8"		25
PC2207-G014	17	7	23	9	G1/4"	G1/4"		25
PC2207-G014-G038	19	7	23	-	G1/4"	G3/8"		25
PC2207-G014-G012	24	7	29	-	G1/4"	G1/2"		25
PC2207-G038	19	11	23	9	G3/8"	G3/8"		20
PC2207-G038-G012	24	11	29	-	G3/8"	G1/2"		20
PC2207-G038-G034	32	11	36	-	G3/8"	G3/4"		20
PC2207-G012	24	14	30	12	G1/2"	G1/2"		15
PC2207-G012-G034	32	14	36	-	G1/2"	G3/4"		5
PC2207-G012-G100	36	14	40	-	G1/2"	G1"		5
PC2207-G034	32	19	40	15	G3/4"	G3/4"		5
PC2207-G034-G100	36	19	40	15	G3/4"	G1"		5
PC2207-G100	36	24	42	15	G1"	G1"	5	

PH1107 NIPLO ACCIAIO ZINCATO MASCHIO\MASCHIO BSPP CONO 60°
GALVANIZED STEEL MALE\MALE FITTING BSPP WITH 60° CONE



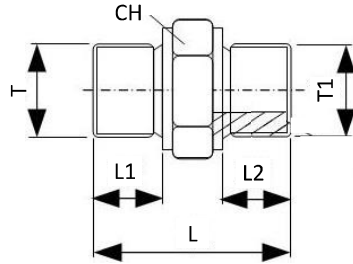
Codice-Code	CH	L	L1	L2	ØT	ØT1	max Bar	
PH1107-M010	14	24	8	8	M10x1	M10x1	400	10
PH1107-M016	22	34	12	12	M16x1,5	M16x1,5	400	10
PH1107-G018	14	24	8	8	G1/8"	G1/8"	400	10
PC1107-G014-M014	19	-	-	-	G1/4"	M14x1,5	400	10
PC1107-G014-M016	22	-	-	-	G1/4"	M16x1,5	400	10
PH1107-G014-G018	19	28,5	11	8	G1/4"	G1/8"	400	10
PH1107-G014	19	32	11	11	G1/4"	G1/4"	400	10
PC1107-G038-M012	22	-	-	-	G3/8"	M12x1,5	400	10
PC1107-G038-M018	24	-	-	-	G3/8"	M18x1,5	400	10
PH1107-G038-G014	22	33,5	12	11	G3/8"	G1/4"	400	10
PH1107-G038	22	35	12	12	G3/8"	G3/8"	400	10
PH1107-G012-G014	27	37	14	11	G1/2"	G1/4"	350	5
PH1107-G012-G038	27	38,5	14	12	G1/2"	G3/8"	350	5
PC1107-G012-M018	27	-	-	-	G1/2"	M18x1,5	350	5
PC1107-G012-M022	27	-	-	-	G1/2"	M22x1,5	350	5
PH1107-G012	27	41	14	14	G1/2"	G1/2"	350	5
PC1107-G034-M026	32	-	-	-	G3/4"	M26x1,5	315	5
PH1107-G034-G038	32	42,5	16	12	G3/4"	G3/8"	315	5
PH1107-G034-G012	32	45	16	14	G3/4"	G1/2"	315	5
PH1107-G034	32	47	16	16	G3/4"	G3/4"	315	1
PH1107-G100-G012	41	49	19	14	G1"	G1/2"	250	1
PH1107-G100-G034	41	51	19	16	G1"	G3/4"	250	1
PH1107-G100	41	54	19	19	G1"	G1"	250	1
PH1107-G114	50	58	20	20	G1"1/4	G1"1/4	200	1
PH1107-G112	55	66	23	23	G1"1/2	G1"1/2	200	1

PC2307 NIPLO ACCIAIO INOX MASCHIO-MASCHIO BSPP CONO 60°
INOX STEEL MALE-MALE FITTING BSPP WITH 60° CONE



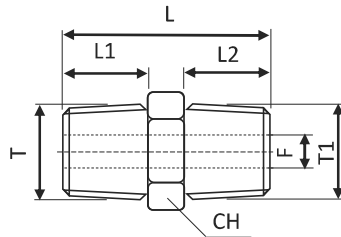
Codice-Code	CH	L	L1	L2	ØT	ØT1	max Bar	
PC2307-G018	19	32	11	11	G1/4"	G1/4"	400	10
PC2307-G014	19	32	11	11	G1/4"	G1/4"	400	10
PC2307-G038	22	35	12	12	G3/8"	G3/8"	400	10
PC2307-G012	27	41	14	14	G1/2"	G1/2"	350	5
PC2307-G034	32	47	16	16	G3/4"	G3/4"	315	1
PC2307-G100	41	54	19	19	G1"	G1"	250	1
PC2307-G114	50	58	20	20	G1"1/4	G1"1/4	250	1
PC2307-G112	55	66	23	23	G1"1/2	G1"1/2	250	1

PC2205 NIPPO IN OTTONE NICHELATO MASCHIO\MASCHIO BSPP
 NIKEL PLATED BRASS MALE\MALE FITTING BSPP



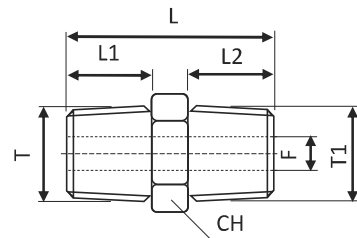
Codice-Code	CH	F	L	L1	L2	ØT	ØT1	max bar	
PC2205-M005	8	2,5	11	4	4	M5	M5	18	25
PC2205-M005-G018	14	2,5	15,5	6,5	5	G1/8"	M5		25
PC2205-G018	14	6	18,5	7	7	G1/8"	G1/8"		25
PC2205-G014-G018	17	5,5	19	8	6,5	G1/4"	G1/8"		25
PC2205-G014	17	8,5	21	8	8	G1/4"	G1/4"		25
PC2205-G038-G018	19	5,5	20,5	9	6,5	G3/8"	G1/8"		25
PC2205-G038-G014	19	8,5	22,5	9	8	G3/8"	G1/4"		20
PC2205-G038	19	11,5	23	9	9	G3/8"	G3/8"		20
PC2205-G012-G014	24	8,5	24,5	10	9	G1/2"	G1/4"		20
PC2205-G012-G038	24	11	24,5	10	9	G1/2"	G3/8"		20
PC2205-G012	24	15	25	10	10	G1/2"	G1/2"		15
PC2205-G034-G038	30	11	26,5	11	10	G3/4"	G3/8"		20
PC2205-G034-G012	30	15	27,5	11	11	G3/4"	G1/2"		15
PC2205-G034	30	20	27,5	11	11	G3/4"	G3/4"		10
PC2205-G100-G034	36	20	30	13	11	G1"	G3/4"		15
PC2205-G100	36	26	32	13	13	G1"	G1"		10

PC2209 NIPPO IN OTTONE NICHELATO MASCHIO\MASCHIO CON FILETTO CONICO BSPT
 NIKEL PLATED MALE\MALE FITTING WITH BSPT CONICAL THREAD



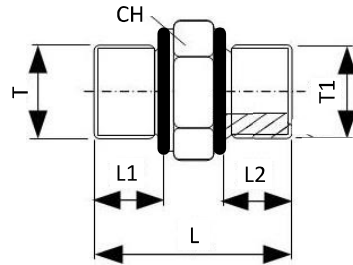
Codice-Code	CH	F	L	L1	L2	ØT	ØT1	max bar	
PC2209-R018	12	6	19	7,5	7,5	R1/8"	R1/8"	18	25
PC2209-R014-R018	14	5,5	23	11	7,5	R1/4"	R1/8"		25
PC2209-R014	14	7,5	26,5	11	11	R1/4"	R1/4"		25
PC2209-R038-R018	17	5,5	23,5	11	7,5	R3/8"	R1/8"		25
PC2209-R038-R014	17	8	26,5	11	10,5	R3/8"	R1/4"		20
PC2209-R038	17	11,5	27	11	11	R3/8"	R3/8"		25
PC2209-R012-R014	22	8	28,5	12,5	10,5	R1/2"	R1/4"		15
PC2209-R012-R038	22	11	28,5	12,5	10,5	R1/2"	R3/8"		15
PC2209-R012	22	15	30,5	12,5	12,5	R1/2"	R1/2"		20
PC2209-R034-R012	27	15	32,5	14	12,5	R3/4"	R1/2"		15
PC2209-R034	27	20	34,5	14	14	R3/4"	R3/4"		15
PC2209-R100-R034	34	20	35,5	15,5	13	R1"	R3/4"		15
PC2209-R100	34	26	37	16,5	16,5	R1"	R1"		15

PC2309 NIPPO IN ACCIAIO INOX MASCHIO\MASCHIO CON FILETTO CONICO BSPT
 STAINLESS STEEL MALE\MALE FITTING WITH BSPT CONICAL THREAD



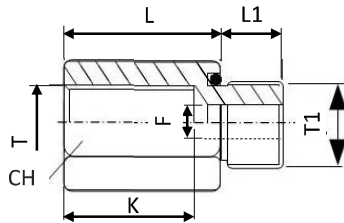
Codice-Code	CH	F	L	L1	L2	ØT	ØT1	max bar	
PC2309-R018	12	6	19	7,5	7,5	R1/8"	R1/8"	150	25
PC2309-R014-R018	14	5,5	25,5	10,5	9	R1/8"	R1/4"		10
PC2309-R014	14	7,5	26,5	11	11	R1/4"	R1/4"		25
PC2309-R038-R014	17	8	29	10,5	11,5	R1/4"	R3/8"		10
PC2309-R038	17	11,5	27	11	11	R3/8"	R3/8"		25
PC2309-R012-R014	22	8	33	10,5	15	R1/4"	R1/2"		10
PC2309-R012-R038	22	11,5	34	11,5	15	R3/8"	R1/2"		10
PC2309-R012	22	15	30,5	12,5	12,5	R1/2"	R1/2"		20
PC2309-R034-R012	27	15	43	15	18	R1/2"	R3/4"		10
PC2309-R034	27	20	34,5	14	14	R3/4"	R3/4"		15
PC2309-R100	34	26	37	16,5	16,5	R1"	R1"		15

PC2208 NIPLO IN OTTONE NICHELATO MASCHIO\MASCHIO BSPP CON O-RING NBR
NICKEL PLATED BRASS MALE\MALE FITTING BSPP WITH NBR O-RING



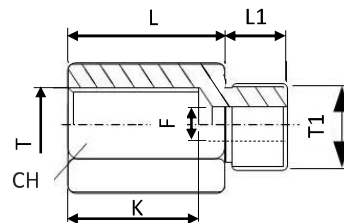
Codice-Code	F	K	L	L1	L2	ØT	ØT1	max bar	
PC2208-G018	6	17,5	14	6,5	6,5	G1/8"	G1/8"	18	25
PC2208-G014-G018	5,5	17	20	8	6,5	G1/4"	G1/8"		25
PC2208-G014	8,5	21	17	8	8	G1/4"	G1/4"		25
PC2208-G038-G018	5,5	20	21	9	6,5	G3/8"	G1/8"		25
PC2208-G038-G014	8,5	20	22	9	8	G3/8"	G1/4"		25
PC2208-G038	11,5	23	20	9	9	G3/8"	G3/8"		25
PC2208-G012-G014	8,5	24	24	10	8	G1/2"	G1/4"		20
PC2208-G012-G038	11	24	25	10	9	G1/2"	G3/8"		15
PC2208-G012	15	26	24	10	10	G1/2"	G1/2"		20

PC2221 MAGGIORAZIONE OTTONE NICHELATO MASCHIO\FEMMINA FILETTO BSPP E O-RING NBR
NICKEL PLATED ENLARGER MALE\FEMALE BSPP THREAD WITH NBR O-RING



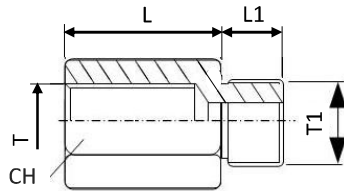
Codice-Code	CH	F	L	L1	L2	ØT	ØT1	max bar	
PC2221-G018-G018	17	5,5	17	8,5	6,5	G1/8"	G1/8"	18	10
PC2221-G014-G018	20	5,5	20	11	6,5	G1/4"	G1/8"		
PC2221-G038-G018	21	5,5	21	12	6,5	G3/8"	G1/8"		
PC2221-G014-G014	21,5	8	22	11	8	G1/4"	G1/4"		
PC2221-G038-G014	22,5	8	23	12	8	G3/8"	G1/4"		
PC2221-G012-G014	26	8	26	14	9	G1/2"	G1/4"		
PC2221-G038-G038	23,5	11	24	12	9	G3/8"	G3/8"		
PC2221-G012-G038	27	11	27	14	9	G1/2"	G3/8"		

PC2222 MAGGIORAZIONE OTTONE NICHELATO MASCHIO\FEMMINA FILETTO BSPP
NICKEL PLATED ENLARGER MALE\FEMALE BSPP THREAD



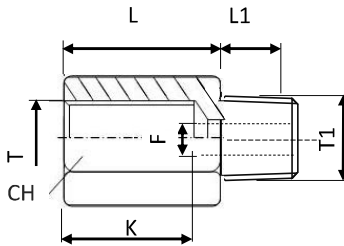
Codice-Code	CH	F	K	L	L1	ØT	ØT1	max bar	
PC2222-M005-M005	8	2,5	5	11	4,5	M5	M5	18	10
PC2222-G018-M005	14	2,2	7	16	5	G1/8"	M5		
PC2222-G018-M006	14	2,7	7	17	6	G1/8"	M6		
PC2222-G018-G018	14	5,5	8	17,5	6,5	G1/8"	G1/8"		
PC2222-G014-G018	17	5,5	11	20	6,5	G1/4"	G1/8"		
PC2222-G038-G018	22	5,5	11	20,5	6,5	G3/8"	G1/8"		
PC2222-G014-G014	17	8,5	11	21,5	8	G1/4"	G1/4"		
PC2222-G038-G014	22	8	13	23	9	G3/8"	G1/4"		
PC2222-G012-G014	27	8	11	26	9	G1/2"	G1/4"		
PC2222-G038-G038	22	11	13	23	9	G3/8"	G3/8"		
PC2222-G012-G038	27	11	13	26	9	G1/2"	G3/8"		
PC2222-G034-G038	32	11	13	26	9	G3/4"	G3/8"		
PC2222-G012-G012	27	15	13	26,5	11	G1/2"	G1/2"		
PC2222-G034-G012	32	15	13	27,5	11	G3/4"	G1/2"		
PC2222-G100-G012	38	15	13	29	11	G1"	G1/2"		
PC2222-G034-G034	32	20	13	27,5	11	G3/4"	G3/4"		
PC2222-G100-G034	38	20	13	29	11	G1"	G3/4"		
PC2222-G100-G100	38	26	13	31	13	G1"	G1"		

PH1122 MAGGIORAZIONE ACCIAIO ZINCATOMASCHIO\FEMMINA FILETTO BSPP
FALVANIZED STEEL ENLARGER MALE\FEMALE BSPP THREAD



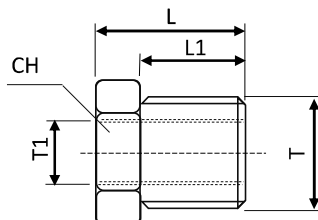
Codice-Code	CH	F	K	L	L1	ØT	ØT1	max Bar	🛒
PH1122-G018-G014	19	-	-	23	8	G1/4"	G1/8"	400	5
PH1122-G018-G038	24	-	-	24	8	G3/8"	G1/8"	400	5
PH1122-G014-G038	24	-	-	24	12	G3/8"	G1/4"	400	5
PH1122-G014-G012	30	-	-	28	12	G1/2"	G1/4"	400	5
PH1122-G038-G012	30	-	-	29	12	G1/2"	G3/8"	400	5
PH1122-G038-G034	36	-	-	32	12	G3/4"	G3/8"	315	1
PH1122-G012-G034	36	-	-	32	14	G3/4"	G1/2"	315	1

PC2220 MAGGIORAZIONE OTTONE NICHELATO MASCHIO\FEMMINA FILETTO CONICO BSPT
NIKEL PLATED ENLARGER MALE\FEMALE BSPT CONICAL THREAD



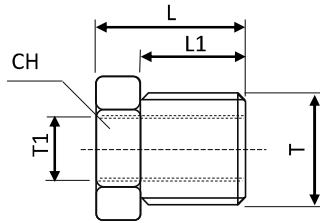
Codice-Code	CH	F	K	L	L1	ØT	ØT1	max bar	🛒
PC2220-G018-R018	14	5,5	8	18,5	11	G1/8"	R1/8"	18	10
PC2220-G014-R018	17	5,5	11	21	14	G1/4"	R1/8"		
PC2220-G014-R014	17	8	11	24	14	G1/4"	R1/4"		
PC2220-G038-R018	22	5,5	11	21,5	14	G3/8"	R1/8"		
PC2220-G038-R014	22	8	11	24,5	14	G3/8"	R1/4"		
PC2220-G012-R014	27	8	13	27,5	17	G1/2"	R1/4"		
PC2220-G038-R038	22	11	11	24,5	14	G3/8"	R3/8"		
PC2220-G012-R038	27	11	13	27,5	17	G1/2"	R3/8"		
PC2220-G034-R038	32	11	13	28	17	G3/4"	R3/8"		
PC2220-G012-R012	27	15	13	28,5	16	G1/2"	R1/2"		
PC2220-G034-R012	32	15	13	29,5	17	G3/4"	R1/2"		
PC2220-G100-R012	38	15	13	31	18	G1"	R1/2"	18	10
PC2220-G034-R034	32	20	13	30	17	G3/4"	R3/4"		
PC2220-G100-R034	38	20	13	31	18	G1"	R3/4"		
PC2220-G100-R100	38	20	13	33,5	18	G1"	R1"		

PC2223 RIDUZIONE OTTONE NICHELATO MASCHIO\FEMMINA FILETTO BSPP
NIKEL PLATED REDUCER MALE\FEMALE BSPP THREAD



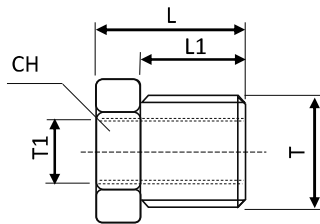
Codice-Code	CH	F	L	L1	L2	ØT	ØT1	max bar	🛒
PC2223-G018-M005	14	-	11	6,5	-	G1/8"	M5	18	10
PC2223-G014-G018	17	-	13	8	-	G1/4"	G1/8"		
PC2223-G038-G018	19	-	14	9	-	G3/8"	G1/8"		
PC2223-G038-G014	19	-	14	9	-	G3/8"	G1/4"		
PC2223-G012-G018	24	-	15	10	-	G1/2"	G1/8"		
PC2223-G012-G014	24	-	15	10	-	G1/2"	G1/4"		
PC2223-G012-G038	24	-	15	10	-	G1/2"	G3/8"		
PC2223-G034-G014	30	-	17	11	-	G3/4"	G1/4"		
PC2223-G034-G038	30	-	17	11	-	G3/4"	G3/8"		
PC2223-G034-G012	30	-	17	11	-	G3/4"	G1/2"		
PC2223-G100-G038	36	-	20	14	-	G1"	G3/8"	18	10
PC2223-G100-G012	36	-	19	13	-	G1"	G1/2"		
PC2223-G100-G034	36	-	19	13	-	G1"	G3/4"		

PH1123 RIDUZIONE ACCIAIO ZINCATO MASCHIO\FEMMINA FILETTO BSPP
FALVANIZED STEEL REDUCER MALE\FEMALE BSPP THREAD



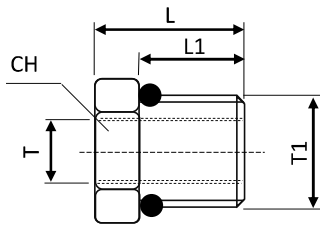
Codice-Code	CH	F	L	L1	L2	ØT	ØT1	max Bar	
PH1123-G014-G018	19	-	18.3	11.5	-	G1/4"	G1/8"	200	5
PH1123-G038-G018	22	-	21	12.5	-	G3/8"	G1/8"	200	
PH1123-G038-G014	22	-	21	12.5	-	G3/8"	G1/4"	200	
PH1123-G012-G018	27	-	23	13.5	-	G1/2"	G1/8"	200	
PH1123-G012-G014	27	-	23	13.5	-	G1/2"	G1/4"	200	
PH1123-G012-G038	27	-	23	13.5	-	G1/2"	G3/8"	200	1
PH1123-G034-G014	32	-	26	16	-	G3/4"	G1/4"	160	
PH1123-G034-G038	32	-	26	16	-	G3/4"	G3/8"	160	
PH1123-G034-G012	32	-	26	16	-	G3/4"	G1/2"	160	
PH1123-G100-G038	38	-	31.5	20	-	G1"	G3/8"	140	
PH1123-G100-G012	38	-	31.5	20	-	G1"	G1/2"	140	
PH1123-G100-G034	38	-	31.5	20	-	G1"	G3/4"	140	
PH1123-G114-G100	-	-	32.5	20.5	-	G1"1/4	G1"	120	
PH1123-G112-G100	-	-	34	21.5	-	G1"1/2	G1"	120	
PH1123-G112-G114	-	-	34	21.5	-	G1"1/2	G1"1/4	120	

PC2225 RIDUZIONE OTTONE NICHELATO MASCHIO CONICO BSPT \ FEMMINA FILETTO BSPP
NIKEL PLATED REDUCER CONICAL BSPT MALE THREAD \ FEMALE BSPP THREAD



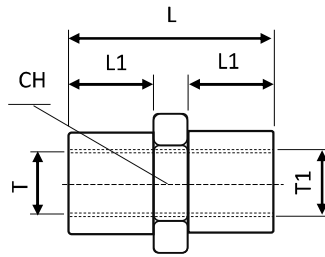
Codice-Code	CH	F	L	L1	L2	ØT	ØT1	max bar	
PC2225-R014-G018	14	6	16	6,5	9	R1/4"	G1/8"	18	10
PC2225-R038-G018	17	6,5	16	8	9	R3/8"	G1/8"		
PC2225-R038-G014	17	8,5	16	9	11	R3/8"	G1/4"		
PC2225-R012-G018	22	6	18	9	10	R1/2"	G1/8"		
PC2225-R012-G014	22	8,5	18	10	12	R1/2"	G1/4"		
PC2225-R012-G038	22	12	18	10	12	R1/2"	G3/8"		
PC2225-R034-G014	27	8,5	20	10	12	R3/4"	G1/4"		
PC2225-R034-G038	27	12	20	11	12	R3/4"	G3/8"		
PC2225-R034-G012	27	15	20	11	14	R3/4"	G1/2"		
PC2225-R100-G038	34	15	22	11	13	R1"	G3/8"		
PC2225-R100-G012	34	15	22	14	14	R1"	G1/2"		
PC2225-R100-G034	34	20	22	13	14	R1"	G3/4"		

PC2224 RIDUZIONE OTTONE NICHELATO MASCHIO\FEMMINA FILETTO BSPP CON O-RING NBR
NIKEL PLATED REDUCER MALE\FEMALE BSPP THREAD WITH NBR O-RING



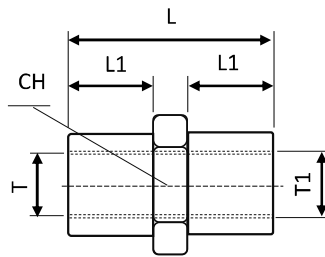
Codice-Code	CH	ØD	L	L1	L2	ØT	ØT1	max bar	
PC2224-G018-M005	14	-	11	6,5	-	G1/8"	M5	18	10
PC2224-G014-G018	17	-	13	8	-	G1/8"	G1/4"		
PC2224-G038-G018	20	-	14	9	-	G1/8"	G3/8"		
PC2224-G038-G014	20	-	14	9	-	G1/4"	G3/8"		
PC2224-G012-G018	24	-	16	10	-	G1/8"	G1/2"		
PC2224-G012-G014	24	-	16	10	-	G1/4"	G1/2"		
PC2224-G012-G038	24	-	16	10	-	G3/8"	G1/2"		

PC2218 NIPPO OTTONE NICHELATO FEMMINA\FEMMINA FILETTO BSPP
NICKEL PLATED JUNCTION FEMALE\FEMALE BSPP THREAD



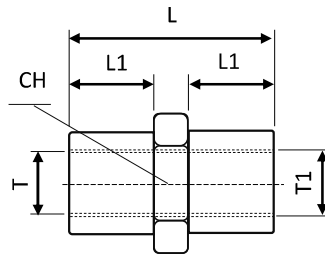
Codice-Code	CH	L	L1	ØT	ØT1	max bar	
PC2218-M005	8	11	3,5	M5	7,5	18	20
PC2218-G018	14	15	5	G1/8"	G1/8"		20
PC2218-G014-G018	17	12,5	6	G1/4"	G1/8"		25
PC2218-G014	17	22	8	G1/4"	16,5		20
PC2218-G038-G018	22	20	6	G3/8"	G1/8"		25
PC2218-G038-G014	22	21	7	G3/8"	G1/4"		20
PC2218-G038	22	24	8,5	G3/8"	21,5		20
PC2218-G012-G014	27	24	8	G1/2"	G1/4"		20
PC2218-G012-G038	27	24	8	G1/2"	G3/8"		20
PC2218-G012	27	29	10	G1/2"	26,5		15
PC2218-G034-G038	32	25	8	G3/4"	G3/8"		20
PC2218-G034-G012	32	25	8	G3/4"	G1/2"		15
PC2218-G034	32	29	10	G3/4"	31,5		15
PC2218-G100-G012	38	25	8	G1"	G1/2"		15
PC2218-G100-G034	38	25	8	G1"	G3/4"		15
PC2218-G100	38	31	11	G1"	37,5		10

PH1118 NIPPO ACCIAIO ZINCATO FEMMINA\FEMMINA FILETTO BSPP
GALVANIZED STEEL JUNCTION FEMALE\FEMALE BSPP THREAD



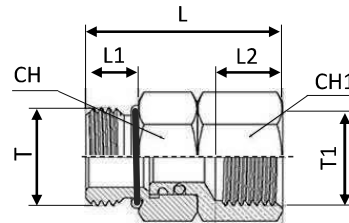
Codice-Code	CH	L	L1	ØT	ØT1	max Bar	
PH1118-G018	14	20	7	G1/8"	G1/8"	350	5
PH1118-G014	19	30	12	G1/4"	G1/4"	350	5
PH1118-G038-G014	24	30	12	G1/4"	G3/8"	250	5
PH1118-G038	24	30	12	G3/8"	G3/8"	225	5
PH1118-G012-G014	27	35	12	G1/4"	G3/8"	250	5
PH1118-G012-G038	27	35	12	G3/8"	G1/2"	250	5
PH1118-G012	27	38	15	G1/2"	G1/2"	250	5
PH1118-G034-G012	36	40	15	G1/2"	G3/4"	250	5
PH1118-G034	36	40	15	G3/4"	G3/4"	225	5
PH1118-G100	27	35	12	G3/8"	G1/2"	250	5
PH1118-G114	27	38	15	G1/2"	G1/2"	250	5
PH1118-G112	36	40	15	G1/2"	G3/4"	250	5

PC2318 NIPPO ACCIAIO INOX FEMMINA\FEMMINA FILETTO BSPP
STAINLESS STEEL JUNCTION FEMALE\FEMALE BSPP THREAD



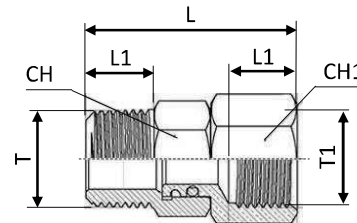
Codice-Code	CH	ØD	L1	ØT	ØT1	max Bar	
PC2318-G018	14	-	7	G1/8"	G1/8"	150	10
PC2318-G014	19	-	12	G1/4"	G1/4"		10
PC2318-G038	24	-	12	G3/8"	G3/8"		10
PC2318-G012	27	-	15	G1/2"	G1/2"		10
PC2318-G034	36	-	15	G3/4"	G3/4"		10
PC2318-G014-G018	17	7	9	G1/8"	G1/4"		5
PC2318-G038-G014	22	9,5	9,5	G1/4"	G3/8"		5
PC2318-G012-G014	27	9,5	11	G1/4"	G1/2"		5
PC2318-G012-G038	27	8	13	G3/8"	G1/2"		5
PC2318-G034-G012	32	11	15	G1/2"	G3/4"		5

PC2213 NIPLO GIREVOLE OTTONE NICHELATO M/F FILETTO BSPP, O-RING NBR
NICKEL PLATED BRASS SWIVEL NIPPLE M/F BSPP THREAD, NBR O-RING



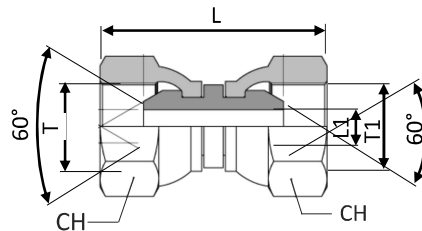
Codice-Code	CH	CH1	F	L	L1	L2	ØT	ØT1	max bar	
PC2213-G018	13	13	4,5	27	6,5	8	G1/8"	G1/8	18	15
PC2213-G014	16	16	7	32	8	11	G1/4"	G1/4		10
PC2213-G038	19	19	9	33,5	9	11,5	G3/8"	G3/8		10

PC2214 NIPLO GIREVOLE OTTONE NICHELATO M/F FILETTO BSPT
NICKEL PLATED BRASS SWIVEL NIPPLE M/F BSPT THREAD



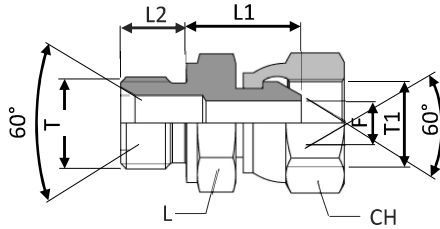
Codice-Code	CH	CH1	F	L	L1	L2	ØT	ØT1	max bar	
PC2214-R018	12	13	4,5	28	8	-	G1/8"	G1/8	18	15
PC2214-R014	14	16	7	34	11	-	G1/4"	G1/4		10
PC2214-R038	17	19	9	35,5	12	-	G3/8"	G3/8		10

PH1114 NIPLO F\F IN ACCIAIO ZINCATO GIREVOLE BSPP CONO 60°
GALVANIZED STEEL F\F BSPP THREAD SWIVEL NIPPLE WITH 60° CONE



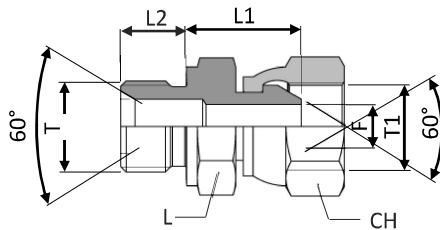
Codice-Code	CH	CH1	F	L	L1	L2	ØT	ØT1	max Bar	
PH1114-G018	15	-	4	36	-	-	G1/8"	G1/8	250	10
PH1114-G014	19	-	4	39	-	-	G1/4"	G1/4	250	10
PH1114-G038	22	-	7	46	-	-	G3/8"	G3/8	250	10
PH1114-G012	27	-	9	49	-	-	G1/2"	G3/8	200	5
PH1114-G034	32	-	15	60	-	-	G3/4"	G3/4	200	5
PH1114-G100	41	-	20	65	-	-	G1"	G1"	160	1
PH1114-G114	50	-	-	73	-	-	G1"1/4	G1"1	160	1
PH1114-G112	55	-	-	79	-	-	G1"1/2	G1"1	140	1
PH1114-M010	15	-	4	36	-	-	M10x1	M10x	250	10
PH1114-M014	19	-	4	38	-	-	M14x1	M14x	250	10
PH1114-M016	22	-	6	43	-	-	M16x1	M16x	250	5
PH1114-M020	27	-	8	46	-	-	M20x1	M20x	200	5
PH1114-M024	27	-	14	50	-	-	M24x1	M24x	200	1

PH1113 NIPPO ORIENTABILE DRITTO IN ACCIAIO ZINCATO FILETTO M\F BSPP CONO 60°
GALVANIZED STEEL M\F BSPP THREAD SWIVEL STRAIGHT NIPPLE WITH 60° CONE



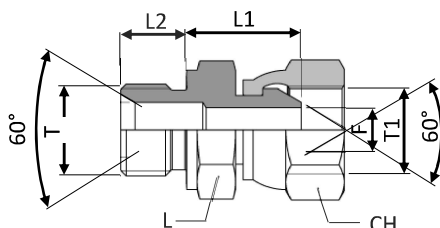
Codice-Code	CH	F	L	L1	L2	ØT	ØT1	max Bar	
PH1113-G018	14	4	14	20	8	G1/8"	G1/8"	400	5
PH1113-G014	19	4	19	25	11	G1/4"	G1/4"	400	5
PH1113-G038	22	7	22	27	12	G3/8"	G3/8"	400	5
PH1113-G012	27	9	27	30	14	G1/2"	G1/2"	350	5
PH1113-G034	32	15	32	37	16	G3/4"	G3/4"	315	1
PH1113-G100	41	20	41	45	19	G1"	G1"	250	1
PH1113-G114	55	-	45	55	23	G1"1/4	G1"1/4	200	1
PH1113-G112	65	-	48	65	25	G1"1/2	G1"1/2	200	1

PH1153 RIDUZIONE ORIENTABILE DRITTO IN ACCIAIO ZINCATO FILETTO M\F BSPP CONO 60°
GALVANIZED STEEL M\F BSPP THREAD SWIVEL REDUCTION NIPPLE WITH 60° CONE



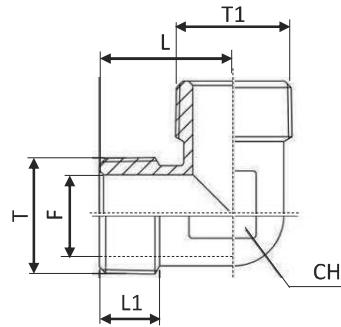
Codice-Code	CH	F	L	L1	L2	ØT	ØT1	max Bar	
PH1153-G038-G014	22	5	19	26	12	G3/8"	G1/4"	400	5
PH1153-G012-G038	27	8	22	28	14	G1/2"	G3/8"	350	5
PH1153-G034-G012	32	10	27	36	16	G3/4"	G1/2"	315	5

PH1163 MAGGIORAZIONE ORIENTABILE DRITTO IN ACCIAIO ZINCATO FILETTO M\F BSPP CONO 60°
GALVANIZED STEEL M\F BSPP THREAD SWIVEL ENLARGER NIPPLE WITH 60° CONE



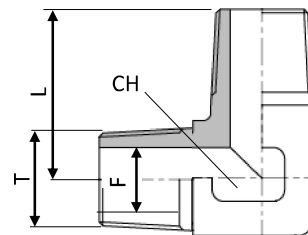
Codice-Code	CH	F	L	L1	L2	ØT	ØT1	max Bar	
PH1163-G018-G014	14	4	14	25	8	G1/8"	G1/4"	400	5
PH1163-G014-G038	19	4	22	26	11	G1/4"	G3/8"	400	5
PH1163-G038-G012	22	7	27	30	12	G3/8"	G1/2"	350	5
PH1163-G012-G034	27	9	32	35	14	G1/2"	G3/4"	315	5

PC2210 GOMITO IN OTTONE NICHELATO FILETTO MASCHIO CONICO BSPT
NICKEL PLATED BRASS ELBOW CONICAL BSPT MALE THREAD



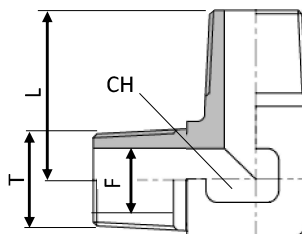
Codice-Code	CH	F	L	L1	ØT	ØT1	max Bar	
PC2210-M005	8	2,5	13,5	5	M5	M5	18	25
PC2210-R018	10	6	18,5	9	R1/8"	R1/8"		25
PC2210-R014	13	8,5	22	11,5	R1/4"	R1/4"		25
PC2210-R038	17	12	26	13	R3/8"	R3/8"		20
PC2210-R012	21	15	28,5	14	R1/2"	R1/2"		15
PC2210-R034	25	20	33	16	R3/4"	R3/4"		15
PC2210-R100	30	26	39	17	R1"	R1"	15	

PH1110 GOMITO IN ACCIAIO ZINCATO FILETTO MASCHIO CONICO BSPT
GALVANIZED STEEL ELBOW CONICAL BSPT MALE THREAD



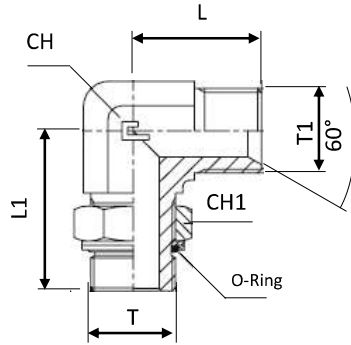
Codice-Code	CH	F	L	L1	ØT	ØT1	max Bar	
PH1110-R018	11	-	20	-	R1/8"	R1/8"	350	10
PH1110-R014	14	-	28	-	R1/4"	R1/4"	350	10
PH1110-R038	19	-	31	-	R3/8"	R3/8"	250	10
PH1110-R012	22	-	37,5	-	R1/2"	R1/2"	225	5
PH1110-R034	27	-	40	-	R3/4"	R3/4"	200	5
PH1110-R100	33	-	50	-	R1"	R1"	160	5

PC2310 GOMITO IN ACCIAIO ZINCATO FILETTO MASCHIO CONICO BSPT
GALVANIZED STEEL ELBOW CONICAL BSPT MALE THREAD



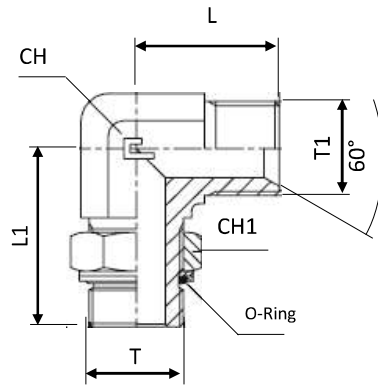
Codice-Code	CH	F	L	L1	ØT	ØT1	max Bar	
PC2310-R018	11	-	20	-	R1/8"	R1/8"	350	10
PC2310-R014	14	-	28	-	R1/4"	R1/4"	350	10
PC2310-R038	19	-	31	-	R3/8"	R3/8"	250	10
PC2310-R012	22	-	37,5	-	R1/2"	R1/2"	225	5
PC2310-R034	27	-	40	-	R3/4"	R3/4"	200	5
PC2310-R100	33	-	50	-	R1"	R1"	160	5

PH1137 GOMITO ACCIAIO ZINCATO FILETTO MASCHIO BSPP CON UN LATO ORIENTABILE
GALVANIZED STEEL ELBOW BSPP MALE THREAD WITH ONE SWIVEL SIDE



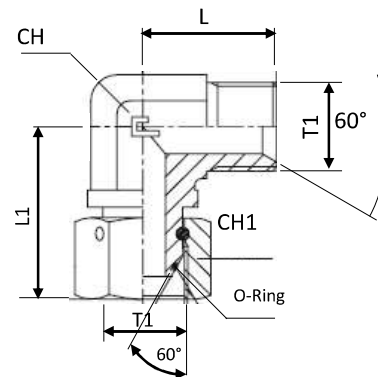
Codice-Code	CH	CH1	L	L1	ØT	ØT1	max Bar	🛒
PH1137-G018	11	14	21	26	G1/8"	G1/8"	350	5
PH1137-G014	14	19	26	32	G1/4"	G1/4"	315	5
PH1137-G038	19	22	29	37	G3/8"	G3/8"	250	5
PH1137-G012	22	30	34	43	G1/2"	G1/2"	250	5
PH1137-G034	27	36	41	59	G3/4"	G3/4"	250	5
PH1137-G100	33	41	45	52	G1"	G1"	200	5

PH1167 MAGGIORAZIONE A GOMITO ACCIAIO ZINCATO FILETTO MASCHIO BSPP CON UN LATO ORIENTABILE
GALVANIZED STEEL ENLARGER ELBOW BSPP MALE THREAD WITH ONE SWIVEL SIDE



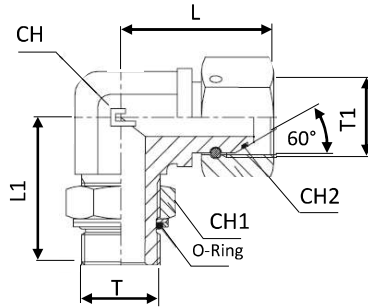
Codice-Code	CH	CH1	L	L1	ØT	ØT1	max Bar	🛒
PH1167-G014-G018	14	14	26	30	G1/8"	G1/4"	350	5
PH1167-G038-G014	19	19	29	37	G1/4"	G3/8"	315	5
PH1167-G012-G038	22	22	34	39	G3/8"	G1/2"	250	5
PH1167-G034-G012	27	30	41	47	G3/4"	G1/2"	250	5
PH1167-G100-G034	33	36	45	50	G1"	G3/4"	250	5

PH1143 GOMITO ACCIAIO ZINCATO FILETTO MASCHIO BSPP E FEMMINA ORIENTABILE FILETTO BSPP
GALVANIZED STEEL ELBOW BSPP MALE THREAD AND SWIVEL BSPP FEMALE THREAD



Codice-Code	CH	CH1	L	L1	ØT	ØT1	max Bar	🛒
PH1143-G018	11	14	21	25	G1/8"	G1/8"	400	5
PH1143-G014	14	19	26	33	G1/4"	G1/4"	400	5
PH1143-G038	19	22	29	37	G3/8"	G3/8"	400	5
PH1143-G012	22	30	34	43	G1/2"	G1/2"	400	5
PH1143-G034	27	32	41	53,5	G3/4"	G3/4"	315	5
PH1143-G100	33	41	45	60,5	G1"	G1"	250	5

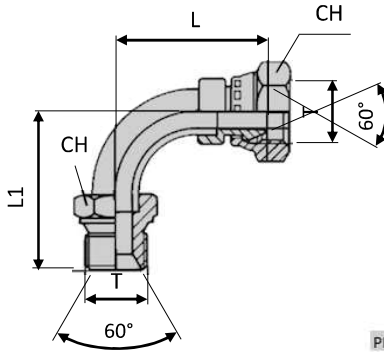
PH1147 GOMITO ACCIAIO ZINCATO MASCHIO-FEMMINA ORIENTABILI FILETTO BSPP
GALVANIZED STEEL SWIVEL MALE-FEMALE ELBOW BSPP THREAD



Codice-Code	CH	CH1	CH2	L	L1	øT	øT1	max Bar	
-------------	----	-----	-----	---	----	----	-----	---------	--

PH1147-G014	14	19	19	33	32	G1/4"	G1/4"	315	5
PH1147-G038	19	22	22	37	37	G3/8"	G3/8"	250	5
PH1147-G012	22	30	27	43	43	G1/2"	G1/2"	250	5
PH1147-G034	27	36	32	53,5	49	G3/4"	G3/4"	250	5
PH1147-G100	33	36	41	60,5	50	G1"	G1"	250	5

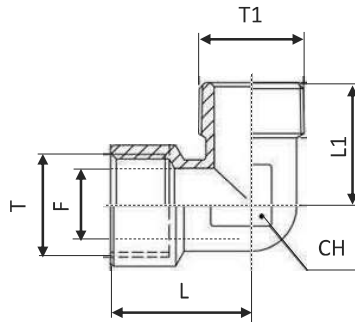
PH1142 CURVA A 90° FILETTO BSPP MASCHIO FISSO E FEMMINA ORIENTABILE
90° BSPP THREAD ELBOW FIXED MALE AND SWIVEL FEMALE



Codice-Code	CH	CH1	CH2	L	L1	øT	øT1	max Bar	
-------------	----	-----	-----	---	----	----	-----	---------	--

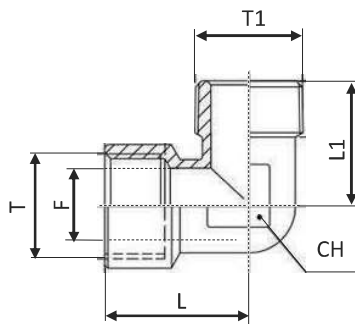
PH1142-G018	14	14	-	31	34	G1/8"	G1/8"	160	5
PH1142-G014	19	19	-	31	39	G1/4"	G1/4"	160	5
PH1142-G038	22	22	-	41	46	G3/8"	G3/8"	160	5
PH1142-G012	27	27	-	48	60	G1/2"	G1/2"	160	5
PH1142-G034	32	32	-	66	81	G3/4"	G3/4"	140	1
PH1142-G100	38	38	-	80	90	G1"	G1"	140	1
PH1142-G114	50	50	-	90	115	G1"1/4	G1"1/4	120	1
PH1142-G112	55	55	-	116	129	G1"1/2	G1"1/2	120	1

PC2211 GOMITO IN OTTONE NICHELATO FILETTO MASCHIO CONICO BSPT – FEMMINA CILINDRICA BSPP
NIKEL PLATED BRASS ELBOW BSPT CONICAL MALE THREAD – BSPP CILINDRICAL FEMALE THREAD



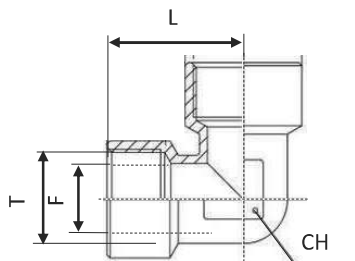
Codice-Code	CH	F	L	L1	ØT	ØT1	max Bar	
PC2211-M005	8	2,5	11	5	M5	M5	18	25
PC2211-R018-G018	10	6	19,5	9,5	R1/8"	G1/8"		25
PC2211-R014-G014	13	8,5	25	11,5	R1/4"	G1/4"		25
PC2211-R038-G038	17	12	27,5	13	R3/8"	G3/8"		20
PC2211-R012-G012	21	15	33,5	15	R1/2"	G1/2"		15
PC2211-R034-G034	25	20	36,5	16	R3/4"	G3/4"		15
PC2211-R100-G100	30	26	45	17	R1"	G1"	15	

PC2311 GOMITO IN ACCIAIO INOX FILETTO MASCHIO CONICO BSPT – FEMMINA CILINDRICA BSPP
STAINLESS STEEL ELBOW CONICAL BSPT MALE THREAD – CILINDRICAL BSPP FEMALE THREAD



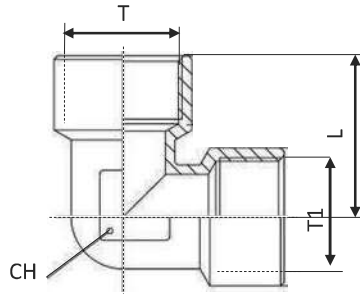
Codice-Code	CH	F	L	L1	T	T1	max Bar	
PC2311-G018-R018	13	4,8	24,1	19,6	G1/8"	R1/8"	400	10
PC2311-G014-R014	18	7,1	29	26,5	G1/4"	R1/4"	400	10
PC2311-G038-R038	21	9,6	34,5	28,2	G3/8"	R3/8"	350	10
PC2311-G012-R012	25	12	37	35,3	G1/2"	R1/2"	300	10
PC2311-G034-R034	32	16	46,5	39,6	G3/4"	R3/4"	300	10
PC2311-G100-R100	43	22	48,8	49,2	G1"	R1"	300	10

PC2212 GOMITO IN OTTONE NICHELATO FILETTO FEMMINA CILINDRICO BSPP
NIKEL PLATED BRASS ELBOW BSPT BSPP CILINDRICAL FEMALE THREAD



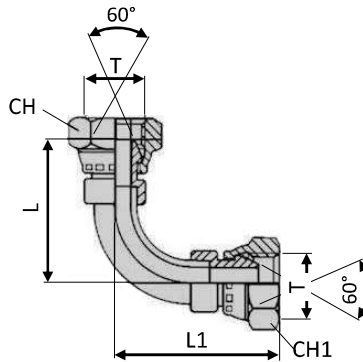
Codice-Code	CH	F	L	L1	ØT	ØT1	max Bar	
PC2212-M005	8	2,5	13,5	-	M5	-	18	20
PC2212-G018	10	6	18,5	-	G1/8"	G1/8"		20
PC2212-G014	13	8,5	22	-	G1/4"	G1/4"		20
PC2212-G038	17	12	26	-	G3/8"	G3/8"		20
PC2212-G012	21	15	28,5	-	G1/2"	G1/2"		15
PC2212-G034	25	20	33	-	G3/4"	G3/4"		15
PC2212-G100	30	26	39	-	G1"	G1"	10	

PC2312 GOMITO IN ACCIAIO INOX FILETTO FEMMINA CILINDRICO BSPP
STAINLESS STEEL ELBOW BSPT BSPP CILINDRICAL FEMALE THREAD



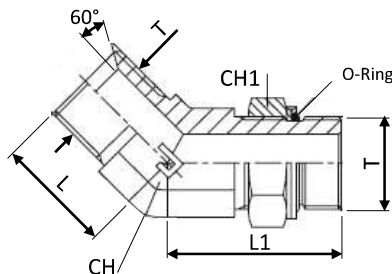
Codice-Code	CH	CH1	L	L1	T	max Bar	
PC2312-G018	12,7	-	26,4	-	G1/8"	400	10
PC2312-G014	17,5	-	29,7	-	G1/4"	400	10
PC2312-G038	20,6	-	36,1	-	G3/8"	350	10
PC2312-G012	25,4	-	39,6	-	G1/2"	300	10
PC2312-G034	31,8	-	48,8	-	G3/4"	300	10
PC2312-G100	42,9	-	48,5	-	G1"	300	10

PH1116 RACC. 90° IN ACCIAIO ZINCATO FILETTO BSPP FEMMINA-FEMMINA ORIENTABILI
GALVANIZED STEEL 90° BSPP THREAD ELBOW SWIVEL FEMALE



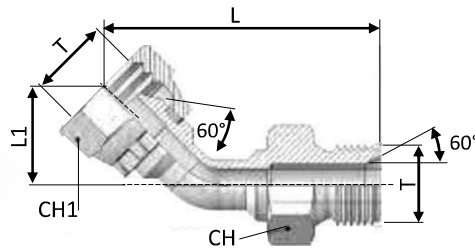
Codice-Code	CH	CH1	L	L1	ØT	max Bar	
PH1116-G018	15	15	32	32	G1/8"	25	5
PH1116-G014	19	19	36	36	G1/4"	25	5
PH1116-G038	22	22	41	41	G3/8"	25	5
PH1116-G012	27	27	48	48	G1/2"	20	5
PH1116-G034	32	32	66	66	G3/4"	20	1
PH1116-G100	41	41	80	80	G1"	15	1
PH1116-G114	50	50	100	100	G1"1/4	15	1
PH1116-G112	55	55	108	108	G1"1/2	15	1

PH1145 RACC. 45° IN ACCIAIO ZINCATO FILETTO MASCHIO BSPP UN LAT ORIENTABILE
GALVANIZED STEEL 45° BSPP MALE THREAD ELBOW SWIVEL ON ONE SIDE



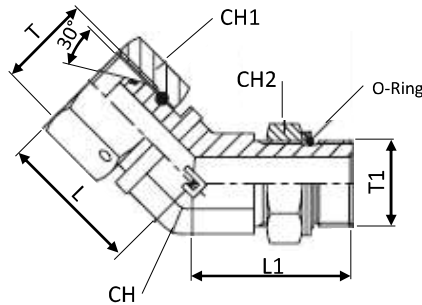
Codice-Code	CH	CH1	L	L1	ØT	max Bar	
PH1145-G018	11	14	20,5	26	G1/8"	400	5
PH1145-G014	14	19	21	29	G1/4"	400	5
PH1145-G038	19	22	23,5	33	G3/8"	400	5
PH1145-G012	22	30	26	38,5	G1/2"	400	5
PH1145-G034	27	36	32	44	G3/4"	315	5
PH1145-G100	47	33	37	47	G1"	250	5

PH1148 RACC. 45° IN ACCIAIO ZINCATO FILETTO BSPP MASCHIO FISSO E FEMMINA ORIENTABILE
GALVANIZED STEEL 45° BSPP THREAD ELBOW FIXED MALE AND SWIVEL FEMALE



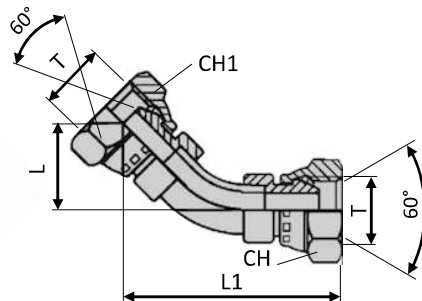
Codice-Code	CH	CH1	L	L1	ØT	ØT1	max Bar	
PH1148-G018	15	15	16	53	G1/8"	-	250	5
PH1148-G014	19	19	14	58	G1/4"	-	250	5
PH1148-G038	22	22	18	72	G3/8"	-	250	5
PH1148-G012	27	27	22	90	G1/2"	-	225	5
PH1148-G034	32	32	28	98	G3/4"	-	200	1
PH1148-G100	41	41	32	94	G1"	-	180	1
PH1148-G114	50	50	50	115	G1"1/4	-	140	1
PH1148-G112	55	55	52	123	G1"1/2	-	140	1

PH1141 RACC. 45° IN ACCIAIO ZINCATO FILETTO MASCHIO E FEMMINA BSPP ORIENTABILI
GALVANIZED STEEL 45° BSPP THREAD ELBOW SWIVEL MALE AND FEMALE



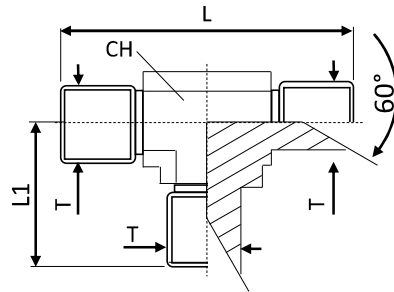
Codice-Code	CH	CH1	CH2	L	L1	ØT	max Bar	
PH1141-G018	11	14	14	23	26	G1/8"	400	5
PH1141-G014	14	19	19	25	29	G1/4"	400	5
PH1141-G038	19	22	22	29	33	G3/8"	400	5
PH1141-G012	22	30	27	32	38,5	G1/2"	400	5
PH1141-G034	27	36	32	41,5	44	G3/4"	315	5
PH1141-G100	33	36	41	45	47	G1"	250	5

PH1115 RACC. 45° IN ACCIAIO ZINCATO FILETTO BSPP FEMMINA-FEMMINA ORIENTABILI
GALVANIZED STEEL 45° BSPP THREAD ELBOW SWIVEL FEMALE



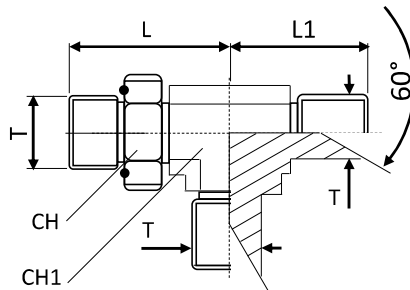
Codice-Code	CH	CH1	L	L1	ØT	ØT1	max Bar	
PH1115-G018	15	15	24	57	G1/8"	-	250	5
PH1115-G014	19	19	14	55	G1/4"	-	250	5
PH1115-G038	22	22	18	70	G3/8"	-	250	5
PH1115-G012	27	27	22	80	G1/2"	-	225	5
PH1115-G034	32	32	28	100	G3/4"	-	200	1
PH1115-G100	41	41	32	115	G1"	-	180	1
PH1115-G114	50	50	-	-	G1"1/4	-	140	1
PH1115-G112	55	55	-	-	G1"1/2	-	140	1

PH1138 CONNETTORE A "T" IN ACCIAIO ZINCATO FILETTO MASCHIO BSPP
GALVANIZED STEEL MALE TEE BSPP THREAD



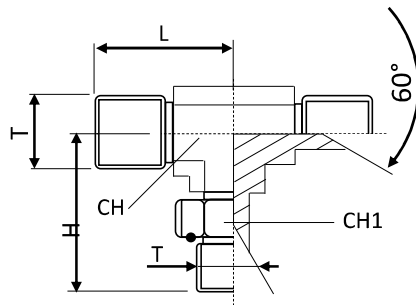
Codice-Code	CH	CH1	L	L1	ØT	max Bar	
PH1138-G018	11	-	42	-	G1/8"	400	5
PH1138-G014	14	-	52	-	G1/4"	400	5
PH1138-G038	19	-	58	-	G3/8"	400	5
PH1138-G012	22	-	68	-	G1/2"	350	5
PH1138-G034	27	-	82	-	G3/4"	315	1
PH1138-G100	33	-	90	-	G1"	250	1
PH1138-G114	41	-	104	-	G1"1/4	250	1
PH1138-G112	48	-	118	-	G1"1/2	200	1

PH1139 CONNETTORE A "T" IN ACCIAIO ZINCATO FILETTO MASCHIO BSPP CON LATO ORIENTABILE
GALVANIZED STEEL MALE TEE BSPP THREAD WITH SWIVEL SIDE



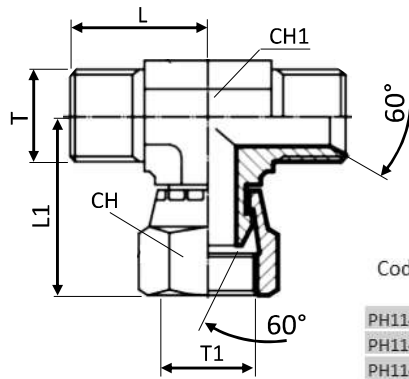
Codice-Code	CH	CH1	L	L1	ØT	max Bar	
PH1139-G018	11	11	26	21	G1/8"	350	5
PH1139-G014	14	14	32	26	G1/4"	315	5
PH1139-G038	19	19	37	29	G3/8"	250	5
PH1139-G012	22	30	43	34	G1/2"	250	5
PH1139-G034	27	36	49	41	G3/4"	250	1
PH1139-G100	33	41	52	45	G1"	200	1
PH1139-G114	41	50	58	52	G1"1/4	250	1
PH1139-G112	48	55	60	59	G1"1/2	200	1

PH1140 CONNETTORE A "T" IN ACCIAIO ZINCATO FILETTO MASCHIO BSPP CON BASE ORIENTABILE
GALVANIZED STEEL MALE TEE BSPP THREAD WITH SWIVEL BASE



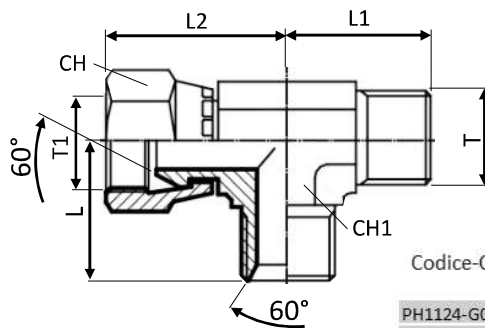
Codice-Code	CH	CH1	H	L	ØT	max Bar	
PH1140-G018	11	14	26	21	G1/8"	350	5
PH1140-G014	14	19	32	26	G1/4"	315	5
PH1140-G038	19	22	37	29	G3/8"	250	5
PH1140-G012	22	30	43	34	G1/2"	250	5
PH1140-G034	27	36	49	41	G3/4"	250	1
PH1140-G100	33	41	52	45	G1"	200	1
PH1140-G114	41	50	58	52	G1"1/4	250	1
PH1140-G112	48	55	60	59	G1"1/2	200	1

PH1144 CONNETTORE A "T" IN ACCIAIO ZINCATO FILETTO MASCHIO BSPP CON BASE ORIENTABILE FEMMINA
GALVANIZED STEEL MALE TEE BSPP THREAD WITH FEMALE SWIVEL BASE



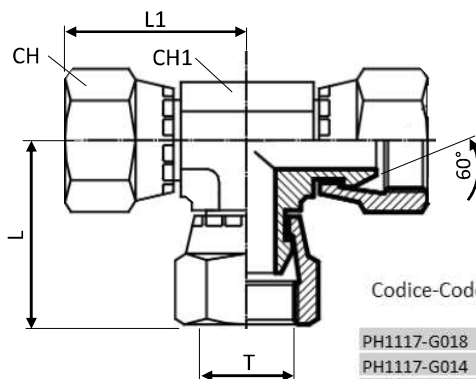
Codice-Code	CH	CH1	H	L	L1	ØT	ØT1	max Bar	
PH1144-G018	14	11	25	21	-	G1/8"	G1/8"	250	5
PH1144-G014	19	14	33	26	-	G1/4"	G1/4"	250	5
PH1144-G038	22	19	37	29	-	G3/8"	G3/8"	250	5
PH1144-G012	27	22	43	34	-	G1/2"	G1/2"	200	2
PH1144-G034	32	27	53,5	41	-	G3/4"	G3/4"	160	1
PH1144-G100	41	33	60,5	45	-	G1"	G1"	140	1
PH1144-G114	50	41	72,5	52	-	G1"1/4	G1"1/4	120	1
PH1144-G112	55	18	91	59	-	G1"1/2	G1"1/2	120	1

PH1124 CONNETTORE A "T" IN ACCIAIO ZINCATO FILETTO MASCHIO CON LATO FEMMINA GIREVOLE BSPP
GALVANIZED STEEL MALE TEE BSPP THREAD AND ONE SIDE WITH SWIVEL FEMALE THREAD



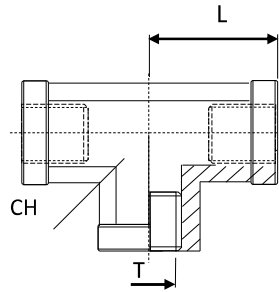
Codice-Code	CH	CH1	L	L1	L2	ØT	ØT1	max Bar	
PH1124-G018	14	11	21	20	26	G1/8"	G1/8"	250	5
PH1124-G014	19	14	26	27	32	G1/4"	G1/4"	250	5
PH1124-G038	22	19	29	30	36	G3/8"	G3/8"	250	5
PH1124-G012	27	22	34	37	40	G1/2"	G1/2"	200	2
PH1124-G034	32	27	41	40	54,5	G3/4"	G3/4"	160	2
PH1124-G100	41	33	45	50	55,5	G1"	G1"	140	1
PH1124-G114	50	41	57	52	59	G1"1/4	G1"1/4	120	1
PH1124-G112	55	48	49	59	72,5	G1"1/2	G1"1/2	120	1

PH1117 CONNETTORE A "T" IN ACCIAIO ZINCATO FILETTO FEMMINA GIREVOLE BSPP
GALVANIZED STEEL FEMALE TEE BSPP SWIVEL THREAD



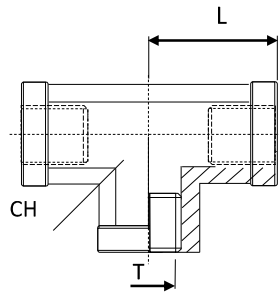
Codice-Code	CH	CH1	L	L1	L2	ØT	ØT1	max Bar	
PH1117-G018	14	11	25	25	-	G1/8"	-	250	5
PH1117-G014	19	14	29	29	-	G1/4"	-	250	5
PH1117-G038	22	19	34	34	-	G3/8"	-	250	5
PH1117-G012	27	22	40	40	-	G1/2"	-	200	2
PH1117-G034	32	27	42,5	45,5	-	G3/4"	-	160	2
PH1117-G100	41	33	52	52	-	G1"	-	140	1
PH1117-G114	50	41	75,5	64	-	G1"1/4	-	120	1
PH1117-G112	55	48	91	75,6	-	G1"1/2	-	120	1

PC2217 CONNETTORE A "T" FILETTO FEMMINA BSPP
FEMALE TEE BSPP THREAD



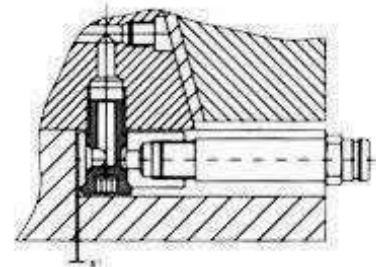
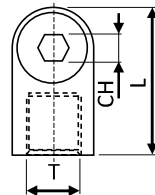
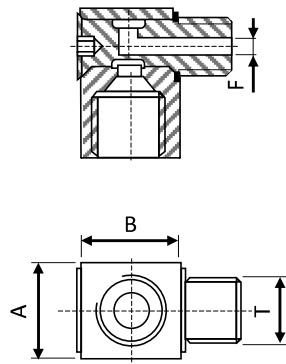
Codice-Code	CH	B	L	ØF	ØT	max Bar	
PC2217-G018	10	-	20	-	G1/8"	35	5
PC2217-G014	13	-	25	-	G1/4"	35	5
PC2217-G038	17	-	28,5	-	G3/8"	35	5
PC2217-G012	21	-	34,3	-	G1/2"	25	5
PC2217-G034	25	-	36,5	-	G3/4"	25	5
PC2217-G100	30	-	45	-	G1"	20	5

PH1128 CONNETTORE A "T" IN ACCIAIO ZINCATO FILETTO FEMMINA BSPP
GALVANIZED STEEL FEMALE TEE BSPP THREAD



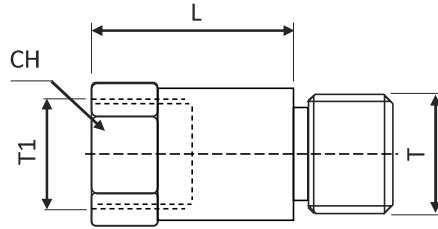
Codice-Code	CH	B	L	ØF	ØT	max Bar	
PH1128-G018	14	-	17	-	G1/8"	400	5
PH1128-G014	19	-	22,5	-	G1/4"	400	5
PH1128-G038	22	-	26	-	G3/8"	400	5
PH1128-G012	27	-	31	-	G1/2"	400	5
PH1128-G034	33	-	34,5	-	G3/4"	400	5
PH1128-G100	41	-	41	-	G1"	315	5

PC2246 RACCORDO A GOMITO GIREVOLE
SWIVEL CONNECTOR



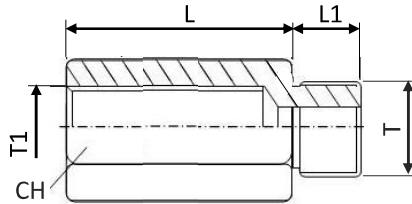
Codice-Code	A	B	CH	ØF	L	T	
PC2246-M010	14	14	5	4,5	25	M10x1	5
PC2246-G018	14	14	5	4,5	25	1/8"	5
PC2246-G014	19	19	6	6	36	1/4"	5
PC2246-G038	25	30	8	9	35	3/8"	5
PC2246-G012	30	30	10	11	50	1/2"	5

PC2249 PROLUNGA FILETTO MASCHIO-FEMMINA BSPP
BSPP THREAD MALE-FEMALE EXTENTION PLUG



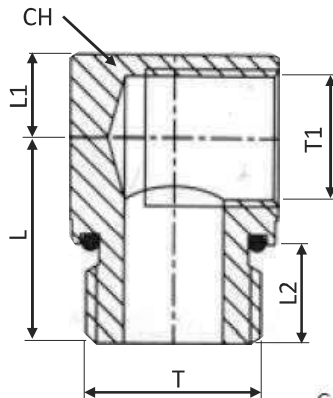
Codice-Code	CH	L	L1	L2	ØT	ØT1	max bar	🛒
PC2249-G014-L020	17	20	-	-	G1/4"	G1/4"	18	5
PC2249-G014-L040	17	40	-	-	G1/4"	G1/4"		5
PC2249-G038-L020	21	20	-	-	G3/8"	G3/8"		5
PC2249-G038-L040	21	40	-	-	G3/8"	G3/8"		5
PC2249-G012-L020	27	20	-	-	G1/2"	G1/2"		1
PC2249-G012-L040	27	40	-	-	G1/2"	G1/2"		1

PH1150 PROLUNGA IN ACCIAIO ZINCATO MASCHIO-FEMMINA FILETTO BSPP
GALVANIZED STEEL MALE-FEMALE EXTENSION PLUG WITH BSPP THREAD



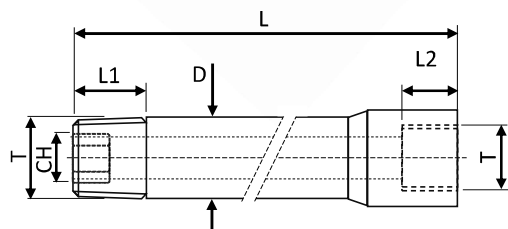
Codice-Code	CH	L	L1	L2	ØT	ØT1	max Bar	🛒
PH1150-G014-L021	19	11	21	-	G1/4"	G1/4"	350	10
PH1150-G014-L030	19	11	30	-	G1/4"	G1/4"	350	10
PH1150-G014-L043	19	11	43	-	G1/4"	G1/4"	350	10
PH1150-G014-L048	19	11	48	-	G1/4"	G1/4"	350	10
PH1150-G038-L020	22	12	20	-	G3/8"	G3/8"	350	10
PH1150-G038-L033	22	12	33	-	G3/8"	G3/8"	350	10
PH1150-G038-L038	22	12	38	-	G3/8"	G3/8"	350	10
PH1150-G038-L045	22	12	45	-	G3/8"	G3/8"	350	10
PH1150-G012-L023	27	14	23	-	G1/2"	G1/2"	350	5
PH1150-G012-L046	27	14	46	-	G1/2"	G1/2"	350	5
PH1150-G012-L066	27	14	66	-	G1/2"	G1/2"	350	5

PC2271 GOMITO IN OTTONE NICHELATO FILETTO MASCHIO – FEMMINA BSPP
NIKEL PLATED BRASS ELBOW WITH BSPP MALE – FEMALE THREAD



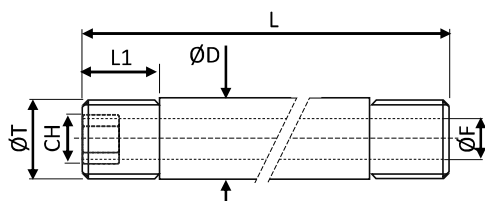
Codice-Code	CH	L	L1	L2	ØT	ØT1	max bar	🛒
PC2271-G018	15	17	8	9	G1/8"	G1/4"	18	5
PC2271-G014	20	19	8,5	9	G1/4"	G3/8"		5
PC2271-G012	25	25	10	15	G1/2"	G3/8"		5

PC2238 PROLUNGA IN ACCIAIO ZINCATO FILETTO FEMMINA BSPP – MASCHIO CONICO BSPT
GALVANIZED STEEL EXTENSION PLUG WITH FEMALE BSPP AND MALE BSPT CONICAL THREAD



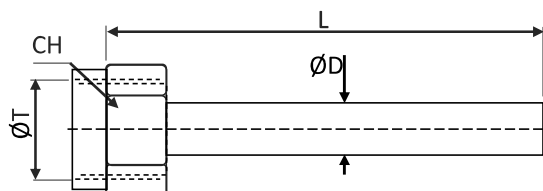
Codice-Code	CH	ØD	L	L1	L2	T	T1
PC2238-10-R018-L050	5	10	50	9	11	R 1/8"	G 1/8"
PC2238-10-R018-L075	5	10	75	9	11	R 1/8"	G 1/8"
PC2238-10-R018-L100	5	10	100	9	11	R 1/8"	G 1/8"
PC2238-10-R018-L125	5	10	125	9	11	R 1/8"	G 1/8"
PC2238-14-R014-L050	8	14	50	10	12	R 1/4"	G 1/4"
PC2238-14-R014-L075	8	14	75	10	12	R 1/4"	G 1/4"
PC2238-14-R014-L100	8	14	100	10	12	R 1/4"	G 1/4"
PC2238-14-R014-L125	8	14	125	10	12	R 1/4"	G 1/4"
PC2238-14-R014-L150	8	14	150	10	12	R 1/4"	G 1/4"

PC2239 PROLUNGA IN ACCIAIO ZINCATO CON FILETTO MASCHIO BSPP
GALVANIZED STEEL EXTENSION PLUG WITH BSPP MALE THREAD

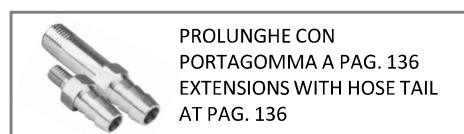


Codice-Code	CH	ØD	F	L	L1	L2	T
PC2239-10-G018-L050	5	9	6	50	12	-	G 1/8"
PC2239-10-G018-L100	5	9	6	100	12	-	G 1/8"
PC2239-10-G018-L150	5	9	6	150	12	-	G 1/8"
PC2239-10-G018-L200	5	9	6	200	12	-	G 1/8"
PC2239-10-G018-L250	5	9	6	250	12	-	G 1/8"
PC2239-14-G014-L050	7	12	9	50	12	-	G 1/4"
PC2239-14-G014-L100	7	12	9	100	12	-	G 1/4"
PC2239-14-G014-L150	7	12	9	150	12	-	G 1/4"
PC2239-14-G014-L200	7	12	9	200	12	-	G 1/4"
PC2239-14-G014-L250	7	12	9	250	12	-	G 1/4"
PC2239-17-G038-L050	10	16	13	50	12	-	G 3/8"
PC2239-17-G038-L100	10	16	13	100	12	-	G 3/8"
PC2239-17-G038-L150	10	16	13	150	12	-	G 3/8"
PC2239-17-G038-L200	10	16	13	200	12	-	G 3/8"
PC2239-17-G038-L250	10	16	13	250	12	-	G 3/8"
PC2239-22-G012-L100	-	22	16	100	-		G 1/2"
PC2239-22-G012-L150	-	22	16	150	-	-	G 1/2"
PC2239-22-G012-L200	-	22	16	200	-	-	G 1/2"
PC2239-22-G012-L250	-	22	16	250	-	-	G 1/2"

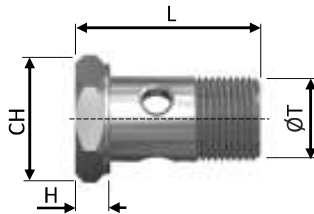
PC2215 PROLUNGA IN OTTONE LISCIA CON FILETTO FEMMINA METRICO
BRASS EXTENSION SMOOTH PLUG WITH METRIC FEMALE THREAD



Codice-Code	CH	ØD	F	L	L1	T
PC2215-10-M014-L120	17	10	6	120	15,5	M14x1,5
PC2215-10-M014-L240	17	10	6	240	15,5	M14x1,5
PC2215-14-M016-L150	22	10	9	150	15,5	M16x1,5
PC2215-14-M016-L300	22	10	9	300	15,5	M16x1,5
PC2215-21-M024-L500	30	14	13	500	21	M24x1,5
PC2215-21-M024-L800	30	14	13	800	21	M24x1,5

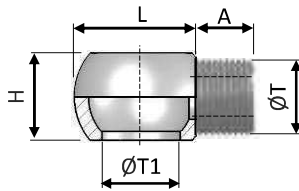


PC2255 VITE CAVA PER RACCORDO AD OCCHIELLO
BOLT FOR BANJO FITTING



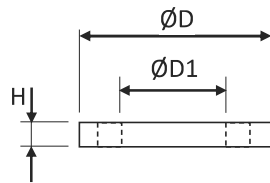
Codice-Code	CH	ØF	H	L	T	T1	
PC2255-G018	14	-	5	26	G1/8"	-	5
PC2255-G014	19	-	6	33	G1/4"	-	5
PC2255-G038	22	-	7	39	G3/8"	-	5
PC2255-G012	27	-	8	46	G1/2"	-	1
PC2255-G034	32	-	10	56	G3/4"	-	1
PC2255-G100	38	-	12	72	G1"	-	1

PC2256 RACCORDO AD OCCHIELLO CON FILETTO FEMMINA BSPP
BANJO FITTING WITH BSPP FEMALE THREAD



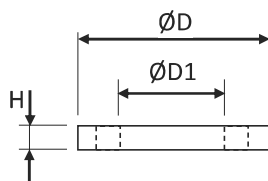
Codice-Code	A	ØF	H	L	T	T1	
PC2256-G018-G018	9.5	4.2	10	16.5	G1/8"	G1/8"	5
PC2256-G014-G014	14	6	14	22	G1/4"	G1/4"	5
PC2256-G038-G038	17	8	18	38	G3/8"	G3/8"	5
PC2256-G038-G014	14	6	18	38	G3/8"	G1/4"	5
PC2256-G012-G012	17	12	22.5	33	G1/2"	G1/2"	1
PC2256-G012-G038	14	9	23	36	G1/2"	G3/8"	1
PC2256-G034-G034	-	-	30	-	G3/4"	G3/4"	1
PC2256-G100-G100	-	-	38	-	G1"	G1"	1

PH1199 RONDELLA BONDED CON GUARNIZIONE
BONDED RING WITH SEAL



Codice-Code	misura size	ØD	ØD1	tipo O-Ring O-Ring type	H	
PH1199-018-N	1/8"	16	10,4	NBR	2	30
PH1199-018-V	1/8"	16	10,4	FKM	2	15
PH1199-014-N	1/4"	20,5	13,7	NBR	2	30
PH1199-014-V	1/4"	20,5	13,7	FKM	2	15
PH1199-038-N	3/8"	24	17,3	NBR	2	30
PH1199-038-V	3/8"	24	17,3	FKM	2	15
PH1199-012-N	1/2"	28,5	21,5	NBR	2,5	20
PH1199-012-V	1/2"	28,5	21,5	FKM	2,5	10
PH1199-034-N	3/4"	35	27	NBR	2,5	20
PH1199-034-V	3/4"	35	27	FKM	2,5	10
PH1199-100-N	1"	43	33,9	NBR	2,5	5
PH1199-100-V	1"	43	33,9	FKM	2,5	5
PH1199-114-N	1"1/4	52,5	42,9	NBR	2,5	20
PH1199-114-V	1"1/4	52,5	42,9	FKM	2,5	10
PH1199-112-N	1"1/2	58,5	48,4	NBR	2,5	5
PH1199-112-V	1"1/2	58,5	48,4	FKM	2,5	5

PH1198 RONDELLA RAME
COPPER SEAL



Codice-Code	misura size	ØD	ØD1	tipo O-Ring O-Ring type	H	
PH1198-018	1/8"	16	10	-	1,5	50
PH1198-014	1/4"	19	13,5	-	1,5	50
PH1198-038	3/8"	22	17	-	1,5	50
PH1198-012	1/2"	27	21,5	-	1,5	50
PH1198-034	3/4"	33	27	-	1,5	25
PH1198-100	1"	40	33,5	-	1,5	25
PH1198-114	1"1/4	50	42	-	1,5	10
PH1198-112	1"1/2	55	48	-	1,5	10