









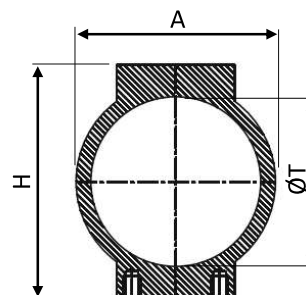
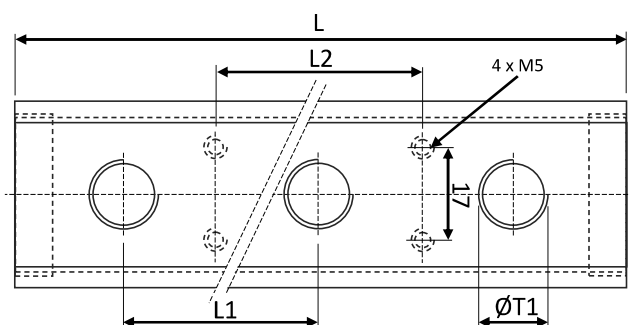
	COLLETTORI IN OTTONE SERIE ECO BRASS MANIFOLD ECO SERIES	PM100	188
	COLLETTORI IN ALLUMINIO PROFILO PIATTO ALUMINIUM MANIFOLD FLAT PROFILE	PM200	190
	COLLETTORI IN ALLUMINIO ANODIZZATO ANODIZED ALUMINIUM MANIFOLD	PM400	191
	COLLETTORI IN ALLUMINIO MULTI LATO MULTI-SIDE ALUMINIUM MANIFOLD	PM500	192
	COLLETTORI IN ACCIAIO INOX AISI 304 304 AISI STAINLESS STEEL MANIFOLD	PM350	194
	COLLETTORI IN ACCIAIO INOX AISI 304 304 AISI STAINLESS STEEL MANIFOLD	PM360	197
	COLLETTORI IN ACCIAIO INOX AISI 304 GRANDE PORTATA HIGH FLOW 304 AISI STAINLESS STEEL MANIFOLD	PM370	198
	COLLETTORE ALLUMINIO ALTA PRESSIONE 250 BAR 250 BAR HIGH PRESSURE ALUMINIUM MANIFOLD	PM900	199
	PIASTRE MULTI-CONNESSIONE MULTICOUPLING PLATES	PM1300	201
	PIASTRE MULTI-CONNESSIONE MULTICOUPLING PLATES	PM0115	219
	PIASTRE MULTI-CONNESSIONE MULTICOUPLING PLATES	PM0108	225

PM100 COLLETORE OTTONE SERIE ECO - BRASS MANIFOLD ECO SERIES



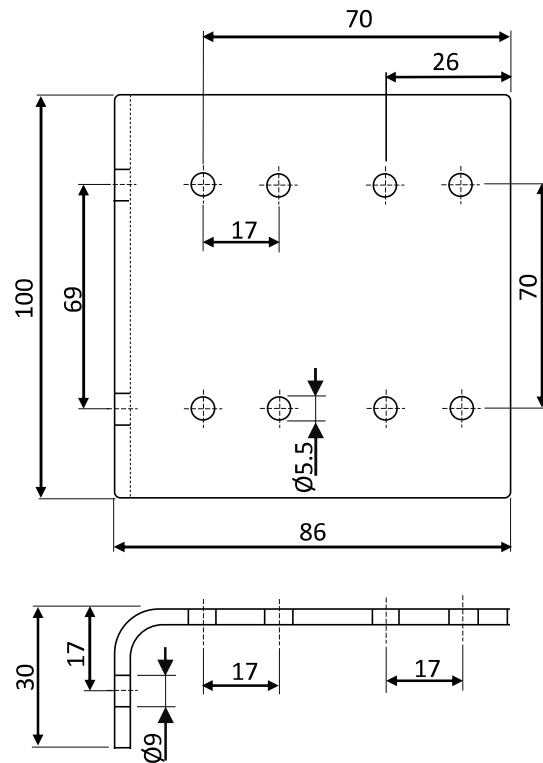
Collettore in ottone verniciato per distribuzione di aria e liquidi a bassa pressione. Disponibili in colore rosso, blu e neutro.
 Campo di temperatura di esercizio -10 / +160°C. Pressione massima di esercizio 20 Bar.
 Coloured manifold for air and low pressure liquids. Neutral, blue or red colour available.
 Temperature range -10 / +160°C. Max. working pressure 20 Bar.



Specificare «R» per collettore rosso o «B» per blu
 Specify «R» for red or «B» for blue manifold

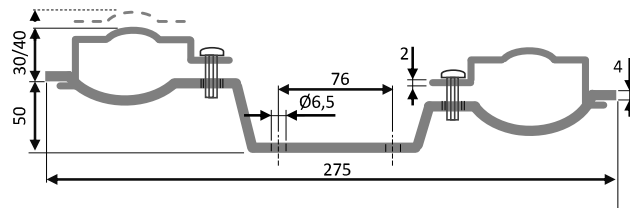
Codice-Code	N. USCITE N. GATES	A	H	ØT	ØT1	L	L1	L2
PM100-ING034-04XG014-B	4					155		
PM100-ING034-06XG014-B	6					225		
PM100-ING034-08XG014-B	8	31	35	G3/4"	G1/4"	295	35	70
PM100-ING034-10XG014-B	10					365		
PM100-ING034-12XG014-B	12					435		
PM100-ING034-04XG038-B	4					155		
PM100-ING034-06XG038-B	6					225		
PM100-ING034-08XG038-B	8	31	35	G3/4"	G3/8"	295	35	70
PM100-ING034-10XG038-B	10					365		
PM100-ING034-12XG038-B	12					435		
PM100-ING100-04XG038-B	4					165		
PM100-ING100-06XG038-B	6					235		
PM100-ING100-08XG038-B	8	37	39	G1"	G3/8"	305	40	70
PM100-ING100-10XG038-B	10					375		
PM100-ING100-12XG038-B	12					445		
PM100-ING100-04XG012-B	4					210		
PM100-ING100-06XG012-B	6					310		
PM100-ING100-08XG012-B	8	37	39	G1"	G1/2"	410	40	70
PM100-ING100-10XG012-B	10					510		
PM100-ING100-12XG012-B	12					610		
PM100-ING114-04XG038-B	4					196		
PM100-ING114-06XG038-B	6					276		
PM100-ING114-08XG038-B	8	46	50	G1" 1/4	G3/8"	356	40	150
PM100-ING114-10XG038-B	10					436		
PM100-ING114-12XG038-B	12					516		
PM100-ING114-16XG038-B	16					676		
PM100-ING114-04XG012-B	4					226		
PM100-ING114-06XG012-B	6					326		
PM100-ING114-08XG012-B	8	46	50	G1" 1/4	G1/2"	426	50	150
PM100-ING114-10XG012-B	10					526		
PM100-ING114-12XG012-B	12					626		
PM100-ING114-16XG012-B	16					826		

PM101 STAFFA PER COLLETTORE OTTONE SERIE ECO – BRACKET FOR BRASS MANIFOLD ECO SERIES



PM102-100 STAFFA DOPPIA PER COLLETTORE OTTONE SERIE ECO 3/4" E 1"
DOUBLE BRACKET FOR BRASS MANIFOLD ECO SERIES 3/4" AND 1"

PM102-114 STAFFA DOPPIA PER COLLETTORE OTTONE SERIE ECO 1"1/4
DOUBLE BRACKET FOR BRASS MANIFOLD ECO SERIES 1"1/4



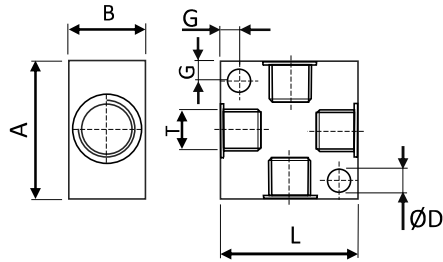
PM200

COLLETTORE IN ALLUMINIO SERIE FLAT per il passaggio di aria e liquidi a bassa pressione.

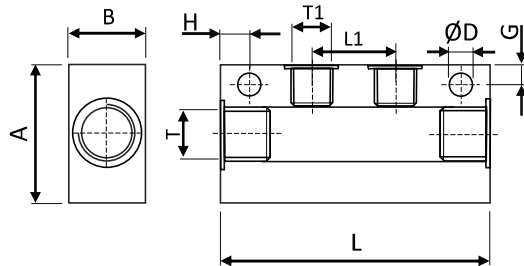
Campo di temperatura di esercizio -10 / +100°C. Pressione massima di esercizio 20 Bar.

ALUMINIUM MANIFOLD FLAT SERIE for air and low pressure liquids.

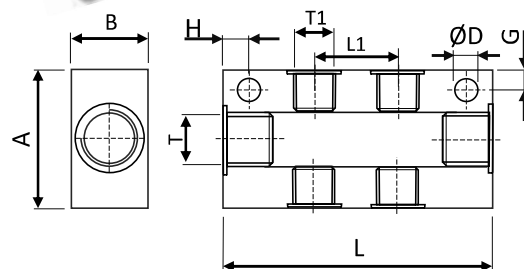
Temperature range -10 / +100°C. Max. working pressure 20 Bar.



Codice-Code	N. Uscite	A	B	ØD	G	H	L	L1	ØT	ØT1
PM200-G018	3	25	16	4.5	4	-	-	-	G1/8"	-
PM200-G014	3	40	20	5.5	7	-	-	-	G1/4"	-
PM200-G038	3	40	25	5.5	7	-	-	-	G3/8"	-
PM200-G012	3	50	30	5.5	8	-	-	-	G1/2"	-

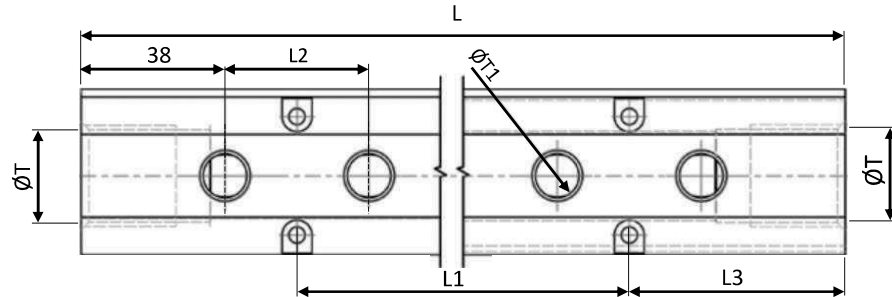
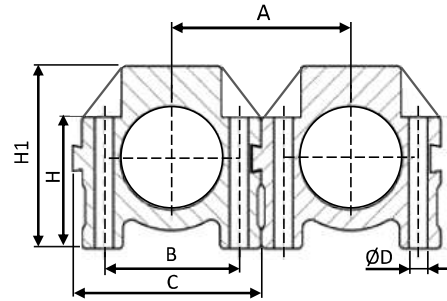


Codice-Code	N. Uscite	A	B	ØD	G	H	L	L1	ØT	ØT1
PM200-G018-M05-2	2	25	16	4.5	3.5	33	45	15	G1/8"	M5
PM200-G018-M05-4	4	25	16	4.5	3.5	63	75	15	G1/8"	M5
PM200-G018-M05-6	6	25	16	4.5	3.5	93	105	15	G1/8"	M5
PM200-G014-G018-2	2	30	20	4.5	4.5	45	54	18	G1/4"	G1/8"
PM200-G014-G018-4	4	30	20	4.5	4.5	81	90	18	G1/4"	G1/8"
PM200-G014-G018-6	6	30	20	4.5	4.5	117	126	18	G1/4"	G1/8"
PM200-G038-G014-2	2	40	25	5.5	4.5	51	68	24	G3/8"	G1/4"
PM200-G038-G014-4	4	40	25	5.5	4.5	99	116	24	G3/8"	G1/4"
PM200-G038-G014-6	6	40	25	5.5	4.5	147	164	24	G3/8"	G1/4"
PM200-G012-G038-2	2	50	30	5.5	6.5	59	78	26	G1/2"	G3/8"
PM200-G012-G038-4	4	50	30	5.5	6.5	111	130	26	G1/2"	G3/8"
PM200-G012-G038-6	6	50	30	5.5	6.5	163	182	26	G1/2"	G3/8"



Codice-Code	N. Uscite	A	B	ØD	G	H	L	L1	ØT	ØT1
PM200-G018-M05-22	2+2	25	16	4.5	3.5	33	45	15	G1/8"	M5
PM200-G018-M05-44	4+4	25	16	4.5	3.5	63	75	15	G1/8"	M5
PM200-G018-M05-66	6+6	25	16	4.5	3.5	93	105	15	G1/8"	M5
PM200-G014-G018-22	2+2	30	20	4.5	4.5	45	54	18	G1/4"	G1/8"
PM200-G014-G018-44	4+4	30	20	4.5	4.5	81	90	18	G1/4"	G1/8"
PM200-G014-G018-66	6+6	30	20	4.5	4.5	117	126	18	G1/4"	G1/8"
PM200-G038-G014-22	2+2	40	25	5.5	4.5	51	68	24	G3/8"	G1/4"
PM200-G038-G014-44	4+4	40	25	5.5	4.5	99	116	24	G3/8"	G1/4"
PM200-G038-G014-66	6+6	40	25	5.5	4.5	147	164	24	G3/8"	G1/4"
PM200-G012-G038-22	2+2	50	30	5.5	6.5	59	78	26	G1/2"	G3/8"
PM200-G012-G038-44	4+4	50	30	5.5	6.5	111	130	26	G1/2"	G3/8"
PM200-G012-G038-66	6+6	50	30	5.5	6.5	163	182	26	G1/2"	G3/8"

PM400 COLLETTORE IN ALLUMINIO ANODIZZATO per distribuzione di aria e liquidi a bassa pressione.
 Campo di temperatura di esercizio -10 / +160°C. Disponibile in colore rosso e blu. Pressione massima di esercizio 20 Bar.
ANODIZED ALUMINIUM MANIFOLD for air and low pressure liquids. Red and blue colour.
 Temperature range -10 / +160°C. Max. working pressure 20 Bar.



Specificare «R» per collettore rosso o «B» per blu
 Specify «R» for red or «B» for blue manifold

Codice-Code	NR USCITE NR GATES	A	B	C	ØD	H	H1	L	L1	L2	L3	ØT BSPP	ØT1 BSPP
PM400-ING034-04XG014-A	4							190	76				
PM400-ING034-06XG014-A	6	45	33	46.5	4.5	30	41	266	152	38	57	3/4"	1/4"
PM400-ING034-08XG014-A	8							342	228				
PM400-ING034-04XG038-A	4							229	102				
PM400-ING034-06XG038-A	6	45	33	46.5	4.5	30	41	331	204	51	65	3/4"	3/8"
PM400-ING034-08XG038-A	8							433	306				
PM400-ING100-04XG014-A	4							190	76				
PM400-ING100-06XG014-A	6							266	152				
PM400-ING100-08XG014-A	8							342	228				
PM400-ING100-10XG014-A	10	53	40.5	54.5	7.2	36.5	49.5	418	304	38	57	1"	1/4"
PM400-ING100-12XG014-A	12							494	380				
PM400-ING100-16XG014-A	16							646	532				
PM400-ING100-04XG038-A	4							229	102				
PM400-ING100-06XG038-A	6							331	204				
PM400-ING100-08XG038-A	8							433	306				
PM400-ING100-10XG038-A	10	53	40.5	54.5	7.2	36.5	49.5	535	408	51	65	1"	3/8"
PM400-ING100-12XG038-A	12							637	510				
PM400-ING100-16XG038-A	16							841	714				
PM400-ING100-04XG012-A	4							229	102				
PM400-ING100-06XG012-A	6							331	204				
PM400-ING100-08XG012-A	8	53	40.5	54.5	7.2	36.5	49.5	433	306	51	65	1"	1/2"
PM400-ING100-10XG012-A	10							535	408				
PM400-ING100-12XG012-A	12							637	510				

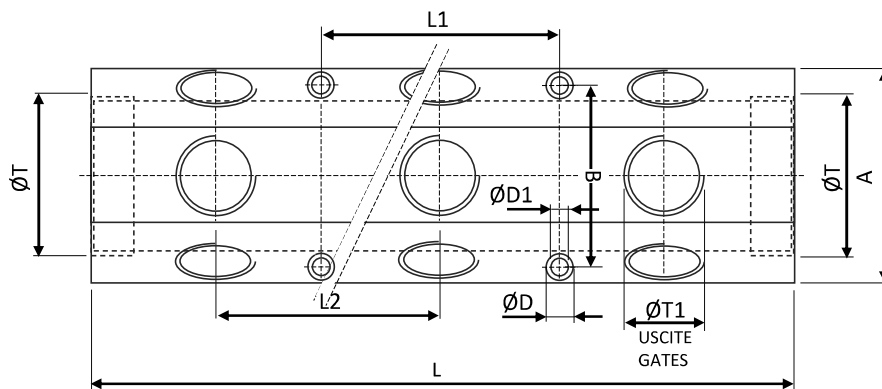
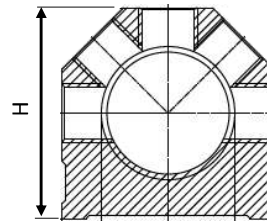
PM500

COLLETORE IN ALLUMINIO ANODIZZATO SERIE MULTI per distribuzione di aria e liquidi a bassa pressione.

Campo di temperatura di esercizio -10 / +160°C. Pressione massima di esercizio 20 Bar.

ANODIZED ALUMINIUM MANIFOLD MULTI SERIES for air and low pressure liquids.

Temperature range -10 / +160°C. Max. working pressure 20 Bar.

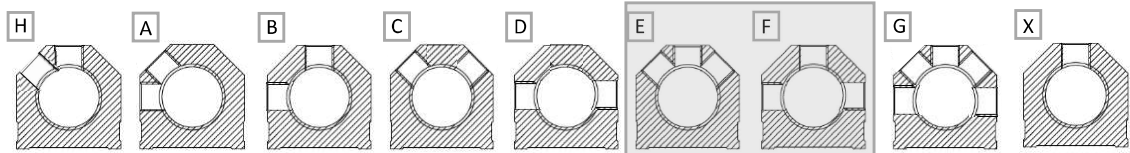


Codice-Code	Nr. Uscite Nr. Gates	A	B	D	D1	H	L	L1	L2	ØT BSPP	ØT1 BSPP
PM500-ING034-_-02XG014-A	2	40.8	33	6.5	4.5	42	74	-	31	3/4"	1/4"
PM500-ING034-_-04XG014-A	4	40.8	33	6.5	4.5	42	132	62	31	3/4"	1/4"
PM500-ING034-_-06XG014-A	6	40.8	33	6.5	4.5	42	194	124	31	3/4"	1/4"
PM500-ING034-_-08XG014-A	8	40.8	33	6.5	4.5	42	256	186	31	3/4"	1/4"
PM500-ING034-_-02XG038-A	2	40.8	33	6.5	4.5	42	90	-	31	3/4"	3/8"
PM500-ING034-_-04XG038-A	4	40.8	33	6.5	4.5	42	165	80	31	3/4"	3/8"
PM500-ING034-_-06XG038-A	6	40.8	33	6.5	4.5	42	245	160	31	3/4"	3/8"
PM500-ING034-_-08XG038-A	8	40.8	33	6.5	4.5	42	325	240	31	3/4"	3/8"
PM500-ING100-_-02XG014-A	2	54	41.5	10.5	6.5	48	103	-	40	1"	1/4"
PM500-ING100-_-04XG014-A	4	54	41.5	10.5	6.5	48	183	80	40	1"	1/4"
PM500-ING100-_-06XG014-A	6	54	41.5	10.5	6.5	48	263	160	40	1"	1/4"
PM500-ING100-_-08XG014-A	8	54	41.5	10.5	6.5	48	343	240	40	1"	1/4"
PM500-ING100-_-10XG014-A	10	54	41.5	10.5	6.5	48	423	320	40	1"	1/4"
PM500-ING100-_-12XG014-A	12	54	41.5	10.5	6.5	48	503	400	40	1"	1/4"
PM500-ING100-_-16XG014-A	16	54	41.5	10.5	6.5	48	663	560	40	1"	1/4"
PM500-ING100-_-02XG038-A	2	57	41.5	10.5	6.5	48	103	-	40	1"	3/8"
PM500-ING100-_-04XG038-A	4	57	41.5	10.5	6.5	48	183	80	40	1"	3/8"
PM500-ING100-_-06XG038-A	6	57	41.5	10.5	6.5	48	263	160	40	1"	3/8"
PM500-ING100-_-08XG038-A	8	57	41.5	10.5	6.5	48	343	240	40	1"	3/8"
PM500-ING100-_-10XG038-A	10	57	41.5	10.5	6.5	48	418	304	40	1"	3/8"
PM500-ING100-_-12XG038-A	12	57	41.5	10.5	6.5	48	494	380	40	1"	3/8"
PM500-ING100-_-16XG038-A	16	57	41.5	10.5	6.5	48	646	532	40	1"	3/8"
PM500-ING100-_-04XG012-A	4	57	41.5	10.5	6.5	48	229	102	51	1"	1/2"
PM500-ING100-_-06XG012-A	6	57	41.5	10.5	6.5	48	331	204	51	1"	1/2"
PM500-ING100-_-08XG012-A	8	57	41.5	10.5	6.5	48	433	306	51	1"	1/2"
PM500-ING100-_-10XG012-A	10	57	41.5	10.5	6.5	48	535	408	51	1"	1/2"
PM500-ING100-_-12XG012-A	12	57	41.5	10.5	6.5	48	637	510	51	1"	1/2"
PM500-ING114-_-02XG014-A	2	60	50	10.5	6.5	60	152	-	51	1 1/4"	1/4"
PM500-ING114-_-04XG014-A	4	60	50	10.5	6.5	60	254	101.6	51	1 1/4"	1/4"
PM500-ING114-_-06XG014-A	6	60	50	10.5	6.5	60	355	203.2	51	1 1/4"	1/4"
PM500-ING114-_-08XG014-A	8	60	50	10.5	6.5	60	457	304.8	51	1 1/4"	1/4"
PM500-ING114-_-02XG038-A	2	60	50	10.5	6.5	60	152	-	51	1 1/4"	3/8"
PM500-ING114-_-04XG038-A	4	60	50	10.5	6.5	60	254	101.6	51	1 1/4"	3/8"
PM500-ING114-_-06XG038-A	6	60	50	10.5	6.5	60	355	203.2	51	1 1/4"	3/8"
PM500-ING114-_-08XG038-A	8	60	50	10.5	6.5	60	457	304.8	51	1 1/4"	3/8"
PM500-ING114-_-02XG012-A	2	60	50	10.5	6.5	60	152	-	51	1 1/4"	1/2"
PM500-ING114-_-04XG012-A	4	60	50	10.5	6.5	60	254	101.6	51	1 1/4"	1/2"
PM500-ING114-_-06XG012-A	6	60	50	10.5	6.5	60	355	203.2	51	1 1/4"	1/2"
PM500-ING114-_-08XG012-A	8	60	50	10.5	6.5	60	457	304.8	51	1 1/4"	1/2"
PM500-ING112-_-02XG038-A	2	76	57	10.5	6.5	76	152	-	51	1 1/2"	3/8"
PM500-ING112-_-04XG038-A	4	76	57	10.5	6.5	76	254	101.6	51	1 1/2"	3/8"
PM500-ING112-_-06XG038-A	6	76	57	10.5	6.5	76	355	203.2	51	1 1/2"	3/8"
PM500-ING112-_-08XG038-A	8	76	57	10.5	6.5	76	457	304.8	51	1 1/2"	3/8"
PM500-ING112-_-02XG012-A	2	76	57	10.5	6.5	76	152	-	51	1 1/2"	1/2"
PM500-ING112-_-04XG012-A	4	76	57	10.5	6.5	76	254	101.6	51	1 1/2"	1/2"
PM500-ING112-_-06XG012-A	6	76	57	10.5	6.5	76	355	203.2	51	1 1/2"	1/2"
PM500-ING112-_-08XG012-A	8	76	57	10.5	6.5	76	457	304.8	51	1 1/2"	1/2"

R Rosso-Red COLORE (Specificare)
B Blu – Blue COLOUR (Specify)

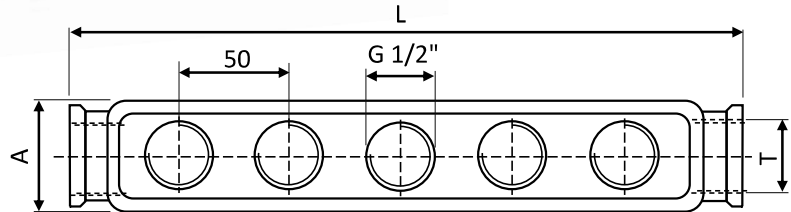
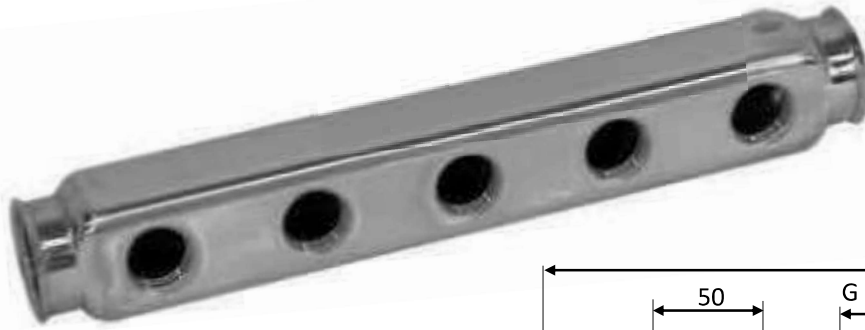
VERSIONE (Specificare)
 VERSION (Specify)

STANDARD



PM350

DISTRIBUTORI IN AISI 304 SERIE ECO 10 Bar 200°C – USCITE FIL. FEMMINA 1/2" BSPP
AISI 304 STAINLESS STEEL MANIFOLD ECO SERIES 10 Bar 200°C – 1/2" BSPP FEMALE THREAD GATES



PC2260

Tappo ottone nichelato con O-Ring
Nickel-plated brass plug with O-Ring



Codice-Code	MISURA SIZE
PC2260-G012	G1/2"
PC2260-G100	G1"
PC2260-G114	G1"1/4

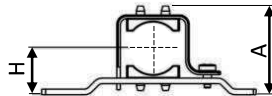
Codice-Code	MISURA SIZE
PC3101-2068	1/2"
PC3101-3112	1"
PC3101-3150	1"1/4

Codice-Code	MISURA SIZE
PH1198-012	1/2"
PH1198-100	1"
PH1198-114	1"1/4

Codice-Code	N. USCITE N. GATES	A	L	ØT
PM350-ING100-02XG012-SN	2	40	125	G1"
PM350-ING100-03XG012-SN	3	40	175	G1"
PM350-ING100-04XG012-SN	4	40	225	G1"
PM350-ING100-05XG012-SN	5	40	275	G1"
PM350-ING100-06XG012-SN	6	40	325	G1"
PM350-ING100-08XG012-SN	8	40	425	G1"
PM350-ING100-10XG012-SN	10	40	525	G1"
PM350-ING100-12XG012-SN	12	40	625	G1"
PM350-ING100-13XG012-SN	13	40	675	G1"
PM350-ING114-06XG012-SN	6	50	325	G1"1/4
PM350-ING114-08XG012-SN	8	50	425	G1"1/4
PM350-ING114-10XG012-SN	10	50	525	G1"1/4
PM350-ING114-12XG012-SN	12	50	625	G1"1/4
PM350-ING114-13XG012-SN	13	50	675	G1"1/4

PM351

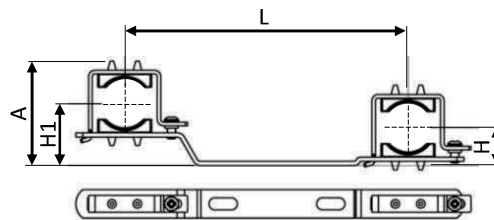
Staffa singola (coppia) per PM350 e PM360
Single bracket (twin) for PM350 and PM360



Codice-Code	MISURA SIZE	A	L	H	H1
PM351-ING100	1"	96	-	48	-
PM351-ING114	1"1/4	98	-	50	-

PM352

Staffa doppia (coppia)
Double bracket (twin)



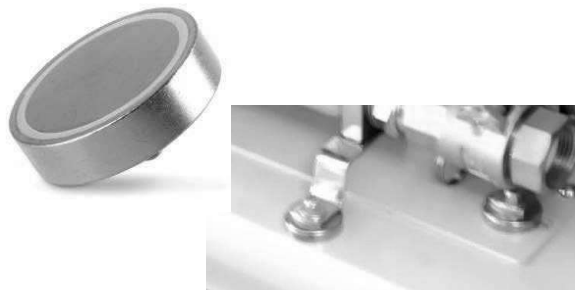
Codice-Code	MISURA SIZE	A	L	H	H1
PM352-ING100	1"	75	200	27	44
PM352-ING114	1"1/4	80	200	32	49

PM353 Gruppo Staffa modulare - Modular bracket Kit

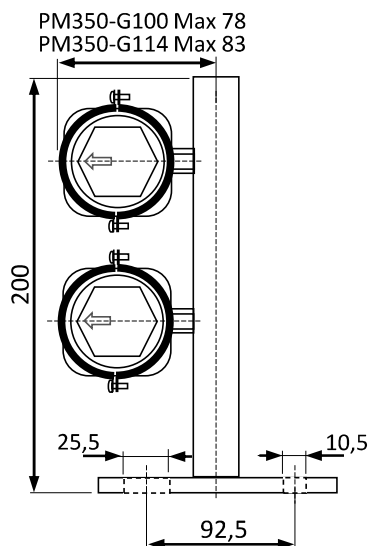


PM350-MA1

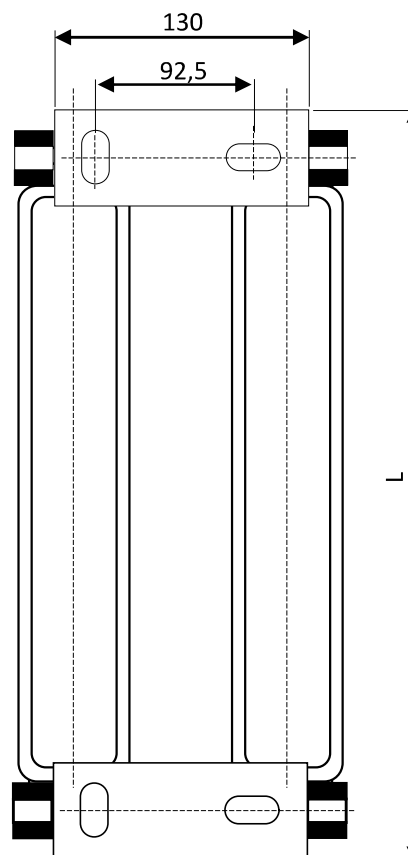
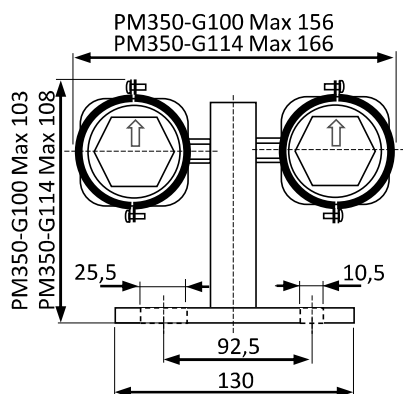
Disco magnetico con gambo filettato – Magnetic disc with threaded rod



Collettori in linea - In-line Manifolds



Distributori contrapposti - Side to side Manifolds



Codice-Code	L	ØT	max temp
PM353-ING100-L200	157*	G1"	90°C
PM353-ING100-L200-HT		G1"	200°C
PM353-ING100-L300		G1"	90°C
PM353-ING100-L300-HT		G1"	200°C
PM353-ING114-L200		G1"1/4	90°C
PM353-ING114-L200-HT		G1"1/4	200°C
PM353-ING114-L300		G1"1/4	90°C
PM353-ING114-L300-HT		G1"1/4	200°C

*: quota con 2 uscite. Aggiungere +50 mm per ogni uscita supplementare
*: measure with 2 gates. Add +50 mm each extra gate

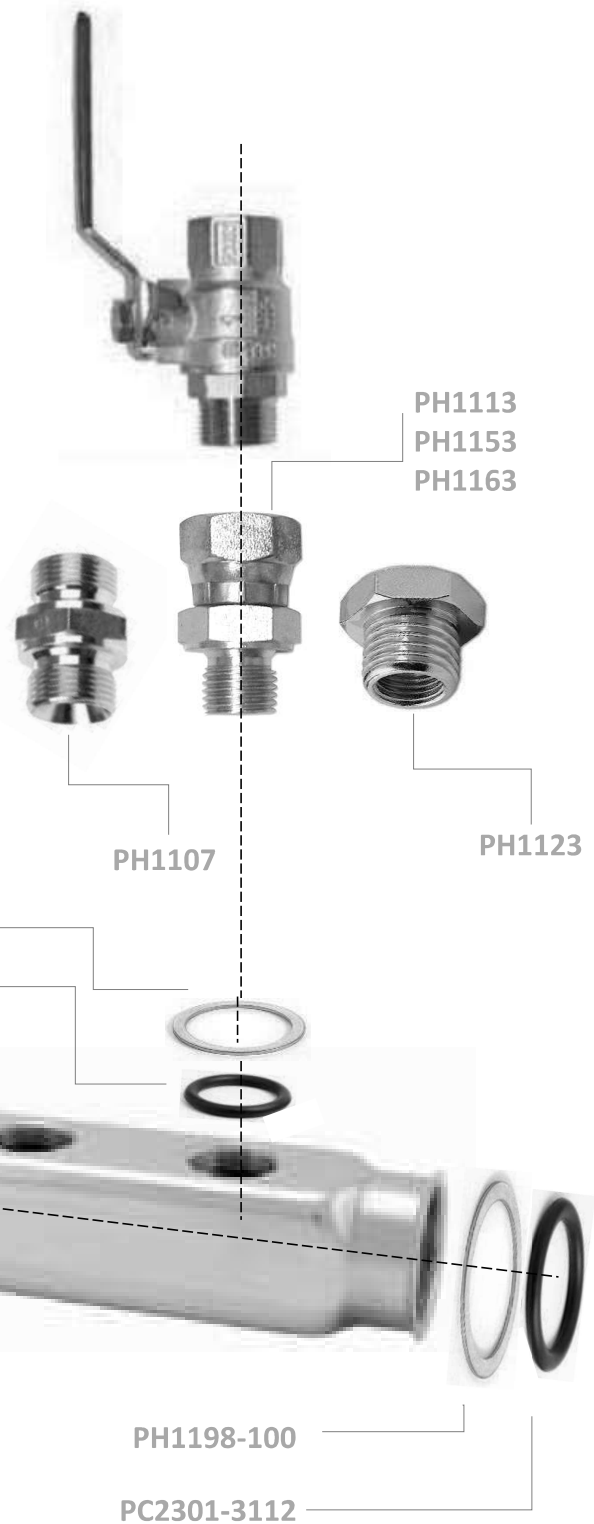
SUGGERIMENTI PER MONTAGGIO E RACCORDATURA PM350
PM350 FITTING AND ASSEMBLY SUGGESTIONS

Le valvole a sfera (pag. 154-159) si possono raccordare orientando la leva con il PH1113 (pag. 111) e sigillare sfruttando il cono a 60° del raccordo che ben si abbina allo smusso della valvola, eventualmente con aggiunta di sigillante liquido (pag. 142)

Ball valves (pag. 154-159) can be fitted with lever orientation by using PH1113 (pag. 111) with cone 60° and eventually liquid sealing (pag. 142)

È possibile installare qualsiasi raccordo o accessorio con filetto maschio CILINDRICO da 1/2". Particolarmente indicato il PH1113 (pag. 111) che consente di applicare qualsiasi valvola a sfera con orientamento della leva o il PH1107 (pag. 104) o PH1123 (pag. 108) per altri accessori o attacchi rapidi.

Any plug or fitting with PARALLEL 1/2" BSP can be connected to the manifold. Specially suggested the swivel PH1113 (pag. 111) or the PH1107 (pag. 104) as the PH1123 (pag. 108) for most of other accessories or quick couplings.

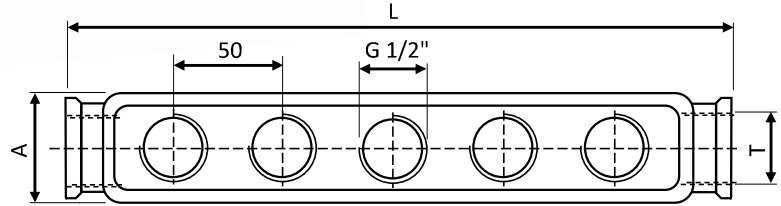


PC2260-G100
PC2260-G114



Disponibilità di soluzioni di isolamento termico.
Thermo-insulating solutions available

PM360 **DISTRIBUTORI IN AISI 304 SERIE ECO 10 Bar 200°C – USCITE FIL. MASCHIO 1/2" BSPP**
AISI 304 STAINLESS STEEL MANIFOLD ECO SERIES 10 Bar 200°C– 1/2" BSPP MALE THREAD GATES



PC2260 Tappo ottone nichelato con O-Ring
 Nickel-plated brass plug with O-Ring



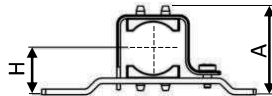
Codice-Code	MISURA SIZE
PC2260-G012	G1/2"
PC2260-G100	G1"
PC2260-G114	G1"1/4

Codice-Code	MISURA SIZE
PC3101-2068	1/2"
PC3101-3112	1"
PC3101-3150	1"1/4

Codice-Code	MISURA SIZE
PH1198-012	1/2"
PH1198-100	1"
PH1198-114	1"1/4

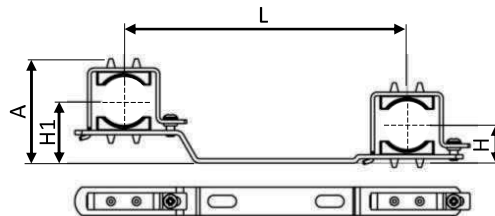
Codice-Code	N. USCITE N. GATES	A	L	ØT
PM360-ING100-02XG012-SN	2	40	125	G1"
PM360-ING100-03XG012-SN	3	40	175	G1"
PM360-ING100-04XG012-SN	4	40	225	G1"
PM360-ING100-05XG012-SN	5	40	275	G1"
PM360-ING100-06XG012-SN	6	40	325	G1"
PM360-ING100-08XG012-SN	8	40	425	G1"
PM360-ING100-10XG012-SN	10	40	525	G1"
PM360-ING100-12XG012-SN	12	40	625	G1"
PM360-ING100-13XG012-SN	13	40	675	G1"
PM360-ING114-06XG012-SN	6	50	325	G1"1/4
PM360-ING114-08XG012-SN	8	50	425	G1"1/4
PM360-ING114-10XG012-SN	10	50	525	G1"1/4
PM360-ING114-12XG012-SN	12	50	625	G1"1/4
PM360-ING114-13XG012-SN	13	50	675	G1"1/4

PM351 Staffa singola (coppia) per PM350 e PM360
 Single bracket (twin) for PM350 and PM360



Codice-Code	MISURA SIZE	A	L	H	H1
PM351-ING100	1"	96	-	48	-
PM351-ING114	1"1/4	98	-	50	-

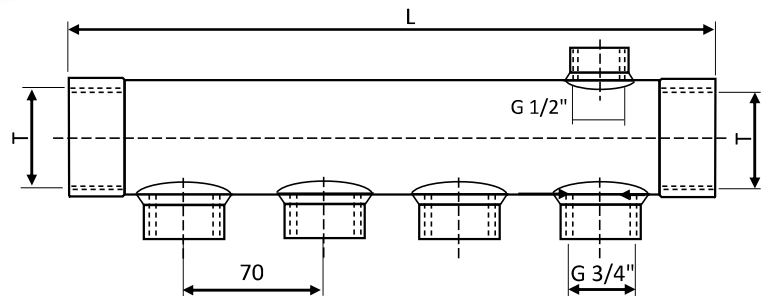
PM352 Staffa doppia (coppia)
 Double bracket (twin)



Codice-Code	MISURA SIZE	A	L	H	H1
PM352-ING100	1"	75	200	27	44
PM352-ING114	1"1/4	80	200	32	49

PM370

DISTRIBUTORI IN AISI 304 PER PORTATE ELEVATE 180°C, 15 Bar.
 AISI 304 STAINLESS STEEL MANIFOLD FOR HIGH FLOW 180°C 15 Bar.



Codice-Code	N. USCITE N. GATES	H	H1	L	L1	ØT
PM370-ING112-04XG034-SN	4	83	59	291	125	G1"1/2
PM370-ING112-06XG034-SN	6			431		
PM370-ING112-08XG034-SN	8			571		
PM370-ING112-10XG034-SN	10			711		
PM370-ING112-12XG034-SN	12			851		
PM370-ING112-14XG034-SN	14	991				
PM370-ING200-04XG034-SN	4	87	63	299	135	G2"
PM370-ING200-06XG034-SN	6			439		
PM370-ING200-08XG034-SN	8			579		
PM370-ING200-10XG034-SN	10			719		
PM370-ING200-12XG034-SN	12			859		
PM370-ING200-14XG034-SN	14	999				

PC2264-G112

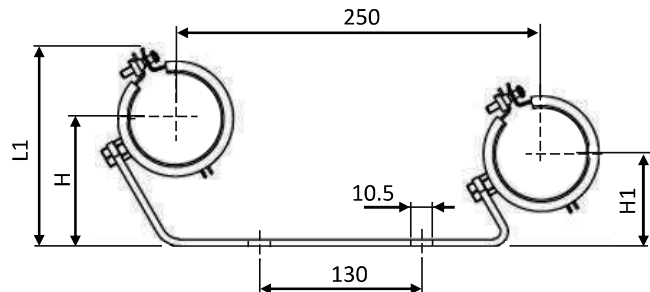
PC2264-G200

Tappo ottone nichelato con O-Ring
 Nickel-plated brass plug with O-Ring



PM372

Staffa doppia (coppia)
 Double bracket (twin)



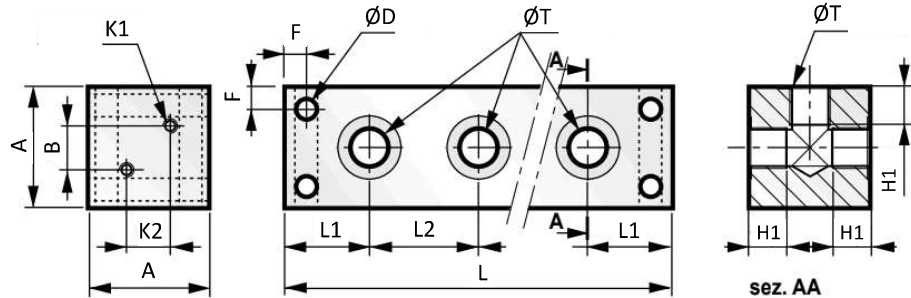
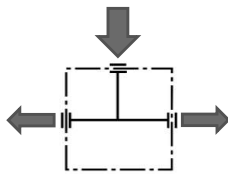
PM379

Fascia isolante per collettore
 Thermo-insulating belt for



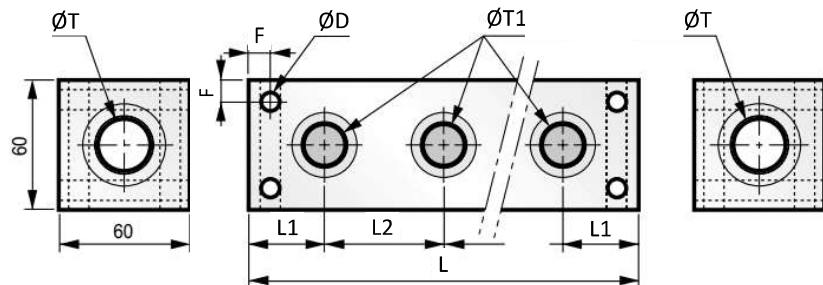
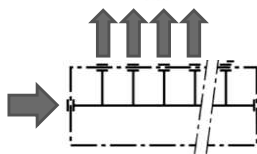
	Codice-Code	N. USCITE N. GATES
Fascia intermedia 1"1/2 - Intermediate belt 1"1/2	PM379-ING112-I	3
Fascia terminale 1"1/2 - terminal belt 1"1/2	PM379-ING112-T	3
Fascia intermedia 2" - Intermediate belt 2"	PM379-ING200-I	3
Fascia terminale 2" - Terminal belt 2"	PM379-ING200-T	3

PM902 COLLETTORE IN ALLUMINIO PER CIRCUITI OLEODINAMICI. Temp. esercizio -10 / +90°C. Pressione max. 200 Bar.
HIGH PRESSURE ALUMINIUM MANIFOLD. Temperature range -10 / +90°C. Max. working pressure 200 Bar.



Codice-Code	N. USCITE N. GATES	A	B	D	F	L	L1	L2	K	K1	ØT	ØT1
PM902-2XG014	2x2	40	28	6,5	6	100	30	40	(2x) M5x10	16	G1/4"	-
PM902-4XG014	4x2	40	28	6,5	6	180	30	40	(2x) M5x10	16	G1/4"	-
PM902-6XG014	6x2	40	28	6,5	6	260	30	40	(2x) M5x10	16	G1/4"	-
PM902-2XG038	2x2	50	34	8	8	115	35	45	(2x) M6x12	18	G3/8"	-
PM902-4XG038	4x2	50	34	8	8	205	35	45	(2x) M6x12	18	G3/8"	-
PM902-6XG038	6x2	50	34	8	8	295	35	45	(2x) M6x12	18	G3/8"	-
PM902-2XG012	2x2	60	40	10	8,5	125	35	55	(4x) M6x12	24	G1/2"	-
PM902-4XG012	4x2	60	40	10	8,5	235	35	55	(4x) M6x12	24	G1/2"	-
PM902-6XG012	6x2	60	40	10	8,5	345	35	55	(4x) M6x12	24	G1/2"	-

PM901



Codice-Code	N. USCITE N. GATES	A	B	D	F	L	L1	L2	K	K1	ØT	ØT1
PM901-ING014-2XG018	2	35	25	4,5	5	70	20	30	-	-	G1/8"	G1/4"
PM901-ING014-4XG018	4	35	25	4,5	5	130	20	30	-	-	G1/8"	G1/4"
PM901-ING038-2XG014	2	40	28	6,5	6	100	30	40	-	-	G1/4"	G3/8"
PM901-ING038-4XG014	4	40	28	6,5	6	180	30	40	-	-	G1/4"	G3/8"
PM901-ING038-6XG014	6	40	28	6,5	6	260	30	40	-	-	G1/4"	G3/8"
PM901-ING012-2XG038	2	50	34	8	8	115	35	45	-	-	G3/8"	G1/2"
PM901-ING012-4XG038	4	50	34	8	8	205	35	45	-	-	G3/8"	G1/2"
PM901-ING012-6XG038	6	50	34	8	8	295	35	45	-	-	G3/8"	G1/2"
PM901-ING034-2XG012	2	60	40	10	8,5	125	35	55	-	-	G1/2"	G3/4"
PM901-ING034-4XG012	4	60	40	10	8,5	235	35	55	-	-	G1/2"	G3/4"
PM901-ING034-6XG012	6	60	40	10	8,5	345	35	55	-	-	G1/2"	G3/4"





PIASTRE A 3+3 INNESTI CON PASSAGGIO Ø6
3+3 PLUG PLATES WITH FLOW PASSAGE Ø6

PM1306-06 202



PIASTRE A 3+3 INNESTI CON PASSAGGIO Ø9
3+3 PLUG PLATES WITH FLOW PASSAGE Ø9

PM1309-06 204



PIASTRE A 5+5 INNESTI CON PASSAGGIO Ø9
5+5 PLUG PLATES WITH FLOW PASSAGE Ø9

PM1309-10 206



PIASTRE A 6+6 INNESTI CON PASSAGGIO Ø9
6+6 PLUG PLATES WITH FLOW PASSAGE Ø9

PM1309-12 208



PIASTRE A 10+10 INNESTI CON PASSAGGIO Ø9
10+10 PLUG PLATES WITH FLOW PASSAGE Ø9

PM1309-20 210



PIASTRE A 6+6 INNESTI CON PASSAGGIO Ø12
6+6 PLUG PLATES WITH FLOW PASSAGE Ø12

PM1312-12 212



PIASTRE A 10+10 INNESTI CON PASSAGGIO Ø12
10+10 PLUG PLATES WITH FLOW PASSAGE Ø12

PM1312-20 214



PIASTRE A 6+6 INNESTI CON PASSAGGIO Ø16
6+6 PLUG PLATES WITH FLOW PASSAGE Ø16

PM1316-12 216



PM1306

PIASTRE CON PASSAGGIO Ø6 – 3+3 POSIZIONI
PLATES WITH FLOW PASSAGE Ø6 3+3 GATES

PIASTRA LATO PRESSA – INJECTION MACHINE PLATE



Ø6 - 3+3



PM1306-06-08-MT

PIASTRA CON 6 PORTAGOMMA PER TUBO Ø8
PLATE WITH 6 HOSE TAIL PLUG Ø8

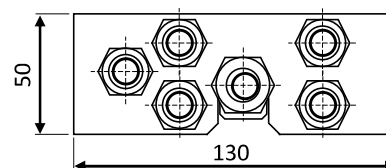
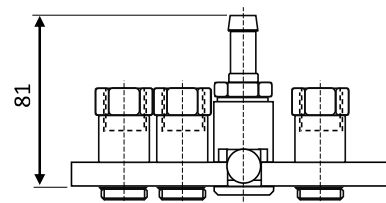
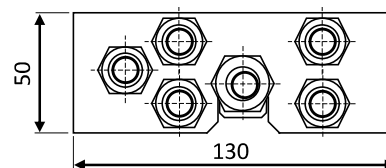
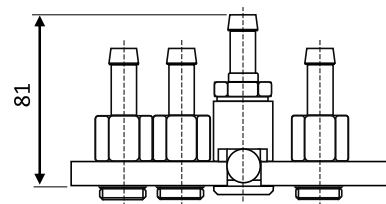
PM1306-06-10-MT

PIASTRA CON 6 PORTAGOMMA PER TUBO Ø10
PLATE WITH 6 HOSE TAIL PLUG Ø10



PM1306-06-G014-MF

PIASTRA CON 6 RACCORDI FILETTO FEMMINA G1/4"
PLATE WITH 6 FEMALE PLUGS G1/4"



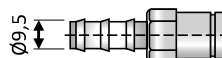
PM1306-06-00-MB

PIASTRA BASE, SENZA RACCORDI – BASE PLATE WITHOUT PLUGS

COMPONENTI SINGOLI – SINGLE COMPONENTS

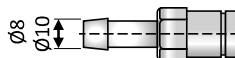
PCM1301-06-10

RACCORDO EASYLOCK PER TUBO Ø9,5 mm. CON VALVOLA
EASYLOCK PLUG HOSE Ø9,5 mm. WITH VALVE



PCM1303-06-08

RACCORDO PORTAGOMMA TUBO Ø8 mm. CON VALVOLA
HOSE TAIL PLUG Ø8 mm. WITH VALVE

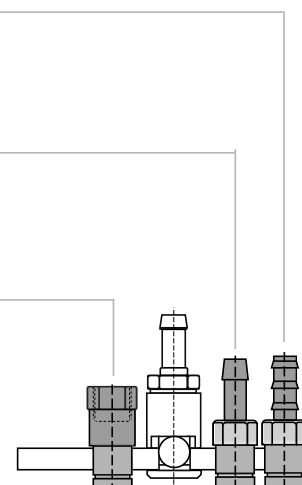


PCM1303-06-10

RACCORDO PORTAGOMMA TUBO Ø10 mm. CON VALVOLA
HOSE TAIL PLUG HOSE Ø10 mm. WITH VALVE

PCM1349-06-G014

RACCORDO DRITTO FIL. FEMMINA 1/4" BSPP CON VALVOLA
FEMALE THREADED PLUG 1/4" BSPP WITH VALVE

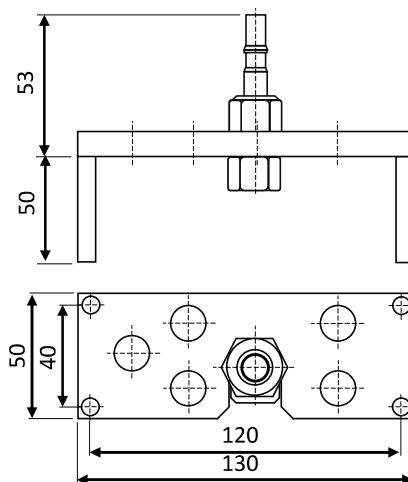


PIASTRA PARTE STAMPO – MOULD SIDE PLATE



PM1306-06-00-SB

PIASTRA BASE CON PIEDINI E INNESTO PIASTRA
BASE PLATE WITH SPACERS AND PLATE PLUG

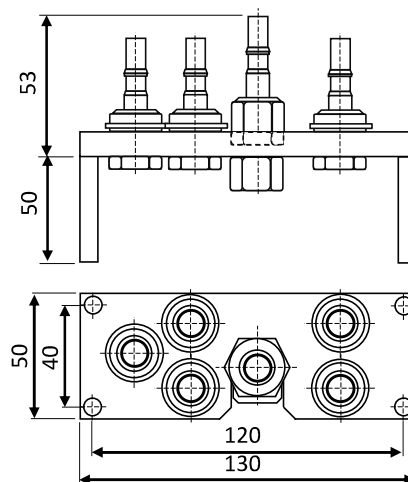


PM1306-06-06-SBXV

PIASTRA CON INNESTI RAPIDI SENZA VALVOLA
PLATE WITH QUICK COUPLINGS WITHOUT VALVE

PM1306-06-06-SBYV

PIASTRA CON INNESTI RAPIDI CON VALVOLA
PLATE WITH QUICK COUPLINGS WITH VALVE



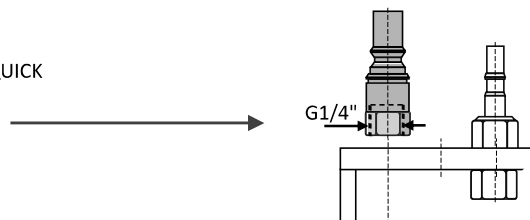
COMPONENTI SINGOLI – SINGLE COMPONENTS

PCM1319-06-G014-BYV

INNESTO RAPIDO CON VALVOLA DI COLLEGAMENTO ALLA PARTE MOBILE – QUICK
COUPLING WITH VALVE FOR CONNECTING TO THE MOBILE PLATE

PCM1319-06-G014-BXV

INNESTO RAPIDO SENZA VALVOLA DI COLLEGAMENTO ALLA PARTE MOBILE –
QUICK COUPLING WITHOUT VALVE FOR CONNECTING TO THE MOBILE PLATE



PC2247-10-G014

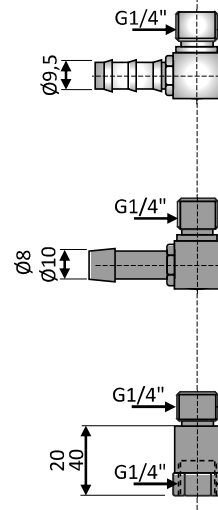
RACCORDO EASYLOCK 90° PER TUBO Ø9,5 mm - 90° EASYLOCK PLUG HOSE Ø9,5 mm.

PC2248-08-G014

RACCORDO PORTAGOMMA 90° TUBO Ø8 mm. - 90° HOSE TAIL PLUG Ø8 mm.

PC2248-10-G014

RACCORDO PORTAGOMMA 90° TUBO Ø10 mm. - 90° HOSE TAIL PLUG Ø10 mm.

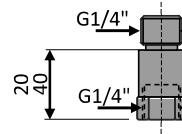


PC2249-G014-L020

RACCORDO DRITTO FIL. FEMMINA G1/4" - G1/4" FEMALE THREADED EXTENSION PLUG

PC2249-G014-L040

RACCORDO DRITTO FIL. FEMMINA G1/4" - G1/4" FEMALE THREADED EXTENSION PLUG



PM1309

PIASTRACON PASSAGGIO Ø9 – 3+3 POSIZIONI
PLATE WITH FLOW PASSAGE Ø9 3+3 GATES



Ø9 - 3+3

PIASTRA LATO PRESSA – INJECTION MACHINE PLATE



PM1309-06-10-MP

PIASTRA 6 INNESTI EASYLOCK CON VALVOLA TUBO Ø9,5 - PLATE WITH 6 EASYLOCK PLUG Ø9,5 WITH VALVE

PM1309-06-13-MP

PIASTRA 6 INNESTI EASYLOCK CON VALVOLA PER TUBO Ø12,7 – PLATE WITH 6 EASYLOCK PLUG Ø12,7 WITH VALVE

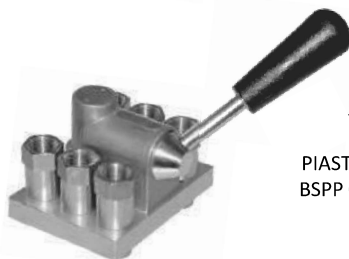


PM1309-06-10-MT

PIASTRA 6 INNESTI CON PORTAGOMMA E VALVOLA PER TUBO Ø10 – PLATE WITH 6 HOSE TAIL PLUG Ø10 WITH VALVE

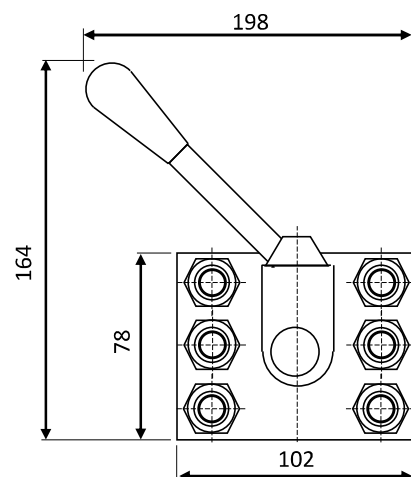
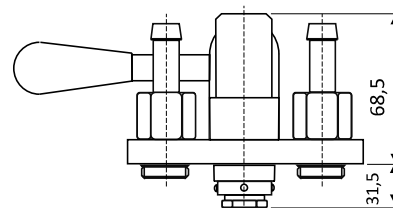
PM1309-06-12-MT

PIASTRA 6 INNESTI PORTAGOMMA CON VALVOLA PER TUBO Ø12 – PLATE WITH 6 HOSE TAIL PLUG Ø12 WITH VALVE



PM1309-06-G038-MF

PIASTRA 6 INNESTI CON FILETTO FEMMINA 3/8" BSPP CON VALVOLA - PLATE WITH 6 X 3/8" BSPP FEMALE TRHEADED PLUG WITH VALVE



PM1309-06-00-MB

PIASTRA BASE, SENZA RACCORDI – BASE PLATE WITHOUT PLUGS

COMPONENTI SINGOLI – SINGLE COMPONENTS

PCM1301-09-10

RACCORDO EASYLOCK PER TUBO Ø9,5 mm. CON VALVOLA EASYLOCK PLUG HOSE Ø9,5 mm. WITH VALVE

PCM1301-09-13

RACCORDO EASYLOCK PER TUBO Ø9,5 mm. CON VALVOLA EASYLOCK PLUG HOSE Ø9,5 mm. WITH VALVE

PCM1303-09-10

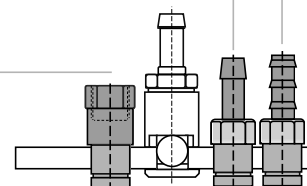
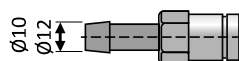
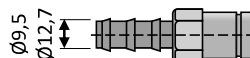
RACCORDO PORTAGOMMA TUBO Ø10 mm. HOSE TAIL PLUG Ø10 mm. WITH VALVE

PCM1303-09-12

RACCORDO PORTAGOMMA TUBO Ø12 mm. HOSE TAIL PLUG HOSE Ø12 mm. WITH VALVE

PCM1349-09-G038

RACCORDO DRITTO FIL. FEMMINA 3/8" BSPP FEMALE THREADED PLUG 3/8" BSPP WITH VALVE

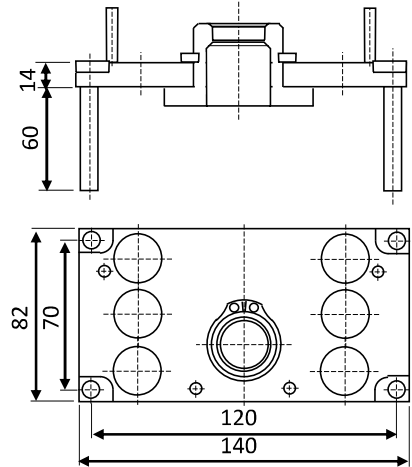


COMPONENTI PARTE STAMPO – MOULD SIDE COMPONENTS



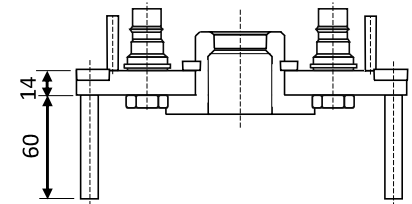
PM1309-06-00-SB

PIASTRA BASE CON PIEDINI E INNESTO PIASTRA
BASE PLATE WITH SPACERS AND PLATE PLUG



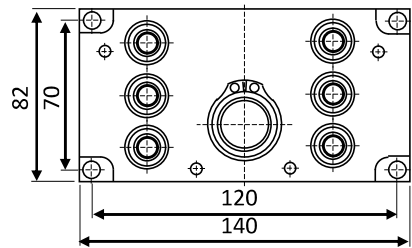
PM1309-06-06-SBXV

PIASTRA CON INNESTI RAPIDI SENZA VALVOLA
PLATE WITH QUICK COUPLINGS WITHOUT VALVE



PM1309-06-06-SBYV

PIASTRA CON INNESTI RAPIDI CON VALVOLA
PLATE WITH QUICK COUPLINGS WITH VALVE



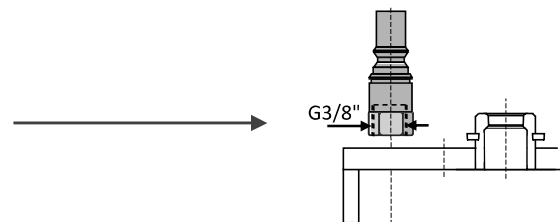
COMPONENTI SINGOLI – SINGLE COMPONENTS

PCM1319-09-G038-BYV

INNESTO RAPIDO DI COLLEGAMENTO ALLA PARTE MOBILE CON VALVOLA
QUICK COUPLING WITH VALVE FOR CONNECTING TO THE MOBILE PLATE

PCM1319-09-G038-BXV

INNESTO RAPIDO DI COLLEGAMENTO ALLA PARTE MOBILE SENZA VALVOLA
QUICK COUPLING WITHOUT VALVE FOR CONNECTING TO THE MOBILE PLATE



PC2247-10-G038

RACCORDO EASYLOCK 90° PER TUBO Ø9,5 mm - 90° EASYLOCK PLUG HOSE Ø9,5 mm.

PC2247-13-G038

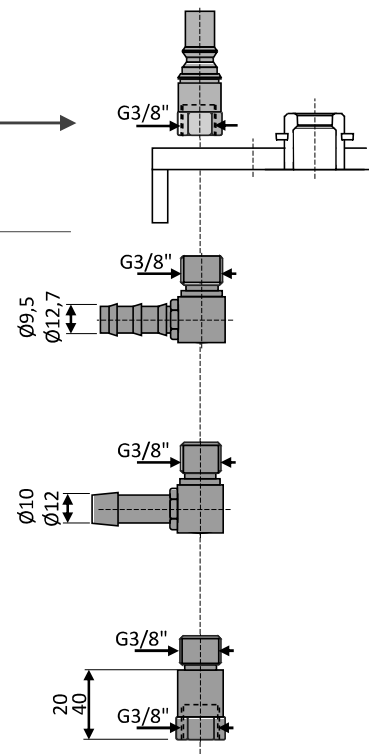
RACCORDO EASYLOCK 90° PER TUBO Ø12,7 mm. - 90° EASYLOCK PLUG HOSE Ø12,7 mm.

PC2248-10-G038

RACCORDO PORTAGOMMA 90° TUBO Ø10 mm. - 90° HOSE TAIL PLUG Ø10 mm.

PC2248-12-G038

RACCORDO PORTAGOMMA 90° TUBO Ø12 mm. - 90° HOSE TAIL PLUG Ø12 mm.



PC2249-G038-L020

RACCORDO DRITTO FIL. FEMMINA G3/8" – G3/8" FEMALE THREADED EXTENSION PLUG

PC2249-G038-L040

RACCORDO DRITTO FIL. FEMMINA G3/8" – G3/8" FEMALE THREADED EXTENSION PLUG

PM1309

PIASTRACON PASSAGGIO Ø9 – 5+5 POSIZIONI
PLATE WITH FLOW PASSAGE Ø9 5+5 GATES



Ø9 – 5+5

PIASTRA LATO PRESSA – INJECTION MACHINE PLATE



PM1309-10-10-MP

PIASTRA 10 INNESTI EASYLOCK CON VALVOLA TUBO Ø9,5 - PLATE WITH 10 EASYLOCK PLUG Ø9,5 WITH VALVE



PM1309-10-13-MP

PIASTRA 10 INNESTI EASYLOCK CON VALVOLA PER TUBO Ø12,7 – PLATE WITH 10 EASYLOCK PLUG Ø12,7 WITH VALVE



PM1309-10-10-MT

PIASTRA 10 INNESTI CON PORTAGOMMA E VALVOLA PER TUBO Ø10 – PLATE WITH 10 HOSE TAIL PLUG Ø10 WITH VALVE

PM1309-10-12-MT

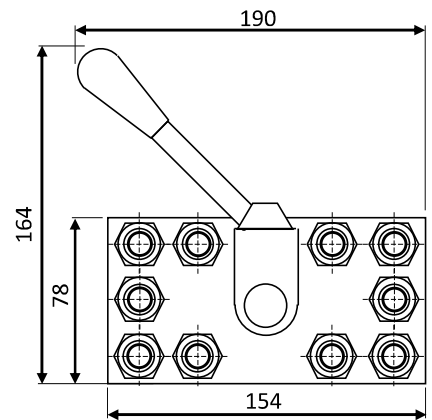
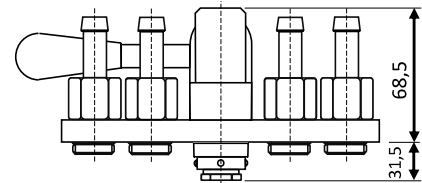
PIASTRA 10 INNESTI PORTAGOMMA CON VALVOLA PER TUBO Ø12 – PLATE WITH 10 HOSE TAIL PLUG Ø12 WITH VALVE

PM1309-10-G038-MF

PIASTRA 10 INNESTI CON FILETTO FEMMINA 3/8" BSPP CON VALVOLA - PLATE WITH 10 X 3/8" BSPP FEMALE TRHEADED PLUG WITH VALVE

PM1309-10-00-MB

PIASTRA BASE, SENZA RACCORDI – BASE PLATE WITHOUT PLUGS



COMPONENTI SINGOLI – SINGLE COMPONENTS

PCM1301-09-10

RACCORDO EASYLOCK PER TUBO Ø9,5 mm. CON VALVOLA EASYLOCK PLUG HOSE Ø9,5 mm. WITH VALVE

PCM1301-09-13

RACCORDO EASYLOCK PER TUBO Ø9,5 mm. CON VALVOLA EASYLOCK PLUG HOSE Ø9,5 mm. WITH VALVE

PCM1303-09-10

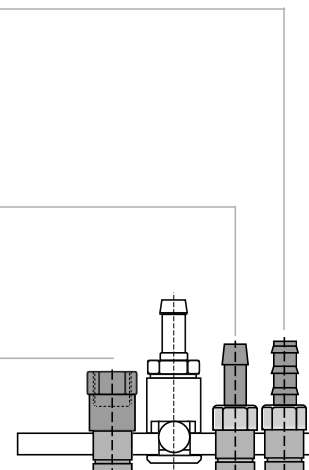
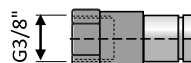
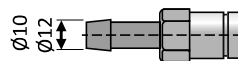
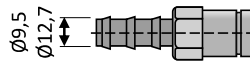
RACCORDO PORTAGOMMA TUBO Ø10 mm. HOSE TAIL PLUG Ø10 mm. WITH VALVE

PCM1303-09-12

RACCORDO PORTAGOMMA TUBO Ø12 mm. HOSE TAIL PLUG HOSE Ø12 mm. WITH VALVE

PCM1349-09-G038

RACCORDO DRITTO FIL. FEMMINA 3/8" BSPP FEMALE THREADED PLUG 3/8" BSPP WITH VALVE



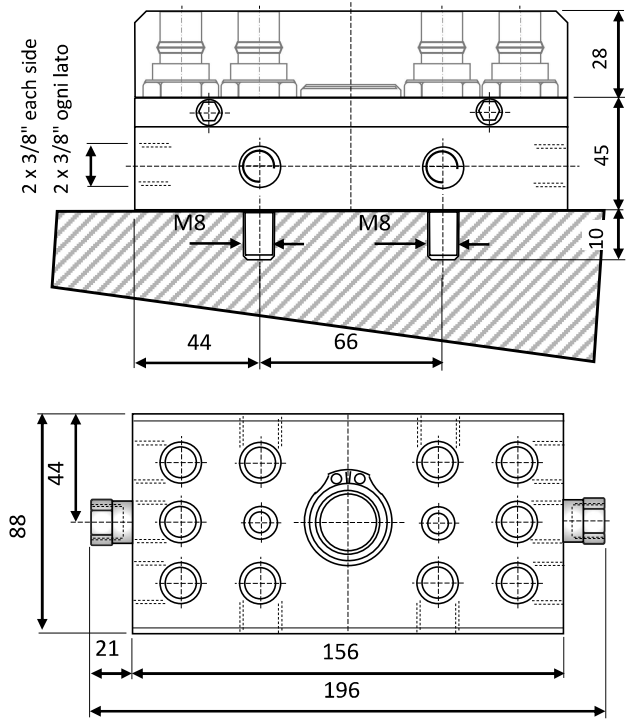
COMPONENTI PARTE STAMPO – MOULD SIDE COMPONENTS

PM1309-10-SC-BXV

PIASTRA CON 10 NIPPLI MASCHIO SENZA VALVOLA
PLATE WITH 10 PLUGS WITHOUT VALVE

PM1309-10-SC-BYV

PIASTRA CON 10 NIPPLI MASCHIO CON VALVOLA
PLATE WITH 10 PLUGS WITH VALVE



PM1309

PIASTRACON PASSAGGIO Ø9 – 6+6 POSIZIONI
PLATE WITH FLOW PASSAGE Ø9 6+6 GATES

PIASTRA LATO PRESSA – INJECTION MACHINE PLATE



Ø9 – 6+6



PM1309-12-10-MP
PIASTRA 12 INNESTI EASYLOCK CON VALVOLA TUBO Ø9,5 - PLATE WITH 12 EASYLOCK PLUG Ø9,5 WITH VALVE



PM1309-12-13-MP
PIASTRA 12 INNESTI EASYLOCK CON VALVOLA PER TUBO Ø12,7 – PLATE WITH 12 EASYLOCK PLUG Ø12,7 WITH VALVE



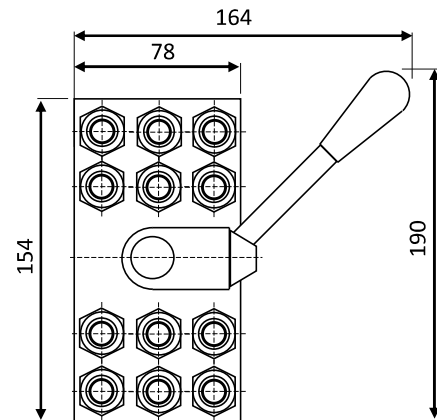
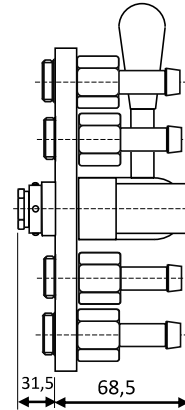
PM1309-12-10-MT
PIASTRA 12 INNESTI CON PORTAGOMMA E VALVOLA PER TUBO Ø10 – PLATE WITH 12 HOSE TAIL PLUG Ø10 WITH VALVE



PM1309-12-12-MT
PIASTRA 12 INNESTI PORTAGOMMA CON VALVOLA PER TUBO Ø12 – PLATE WITH 12 HOSE TAIL PLUG Ø12 WITH VALVE

PM1309-12-G038-MF
PIASTRA 12 INNESTI CON FILETTO FEMMINA G3/8" CON VALVOLA - PLATE WITH 12 X G3/8" FEMALE TRHEADED PLUG WITH VALVE

PM1309-12-G100-MF
PIASTRA 12 INNESTI CON VALVOLA ED UN INGRESSO FEMMINA G1" - PLATE WITH 12 X PLUGS WITH VALVE AND ONE INLET WITH G3/8" FEMALE THREAD



PM1309-12-00-MB

PIASTRA BASE, SENZA RACCORDI – BASE PLATE WITHOUT PLUGS

COMPONENTI SINGOLI – SINGLE COMPONENTS

PCM1301-09-10

RACCORDO EASYLOCK PER TUBO Ø9,5 mm. CON VALVOLA
EASYLOCK PLUG HOSE Ø9,5 mm. WITH VALVE

PCM1301-09-13

RACCORDO EASYLOCK PER TUBO Ø9,5 mm. CON VALVOLA
EASYLOCK PLUG HOSE Ø9,5 mm. WITH VALVE

PCM1303-09-10

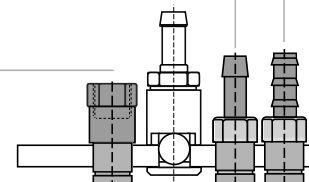
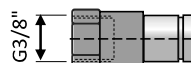
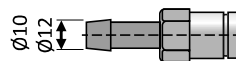
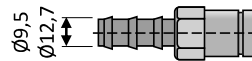
RACCORDO PORTAGOMMA TUBO Ø10 mm.
HOSE TAIL PLUG Ø10 mm. WITH VALVE

PCM1303-09-12

RACCORDO PORTAGOMMA TUBO Ø12 mm.
HOSE TAIL PLUG HOSE Ø12 mm. WITH VALVE

PCM1349-09-G038

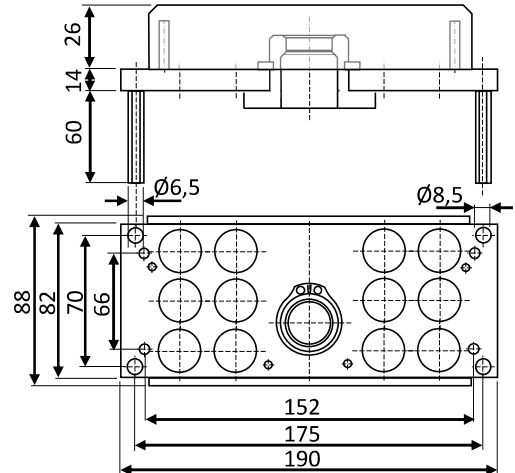
RACCORDO DRITTO FIL. FEMMINA 3/8" BSPP
FEMALE THREADED PLUG 3/8" BSPP WITH VALVE



COMPONENTI PARTE STAMPO – MOULD SIDE COMPONENTS

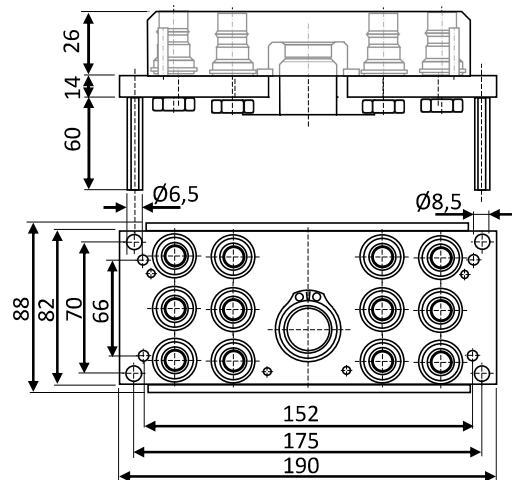


PM1309-12-00-SB
PIASTRA BASE CON PIEDINI E
INNESTO PIASTRA - BASE PLATE
WITH SPACERS AND PLATE PLUG



PM1309-12-12-SBXV
PIASTRA CON INNESTI RAPIDI SENZA VALVOLA
PLATE WITH QUICK COUPLINGS WITHOUT VALVE

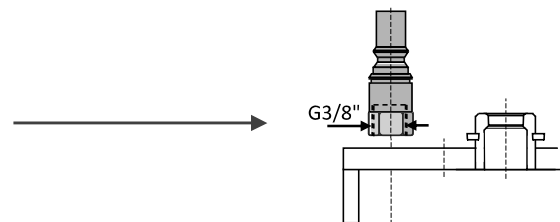
PM1309-12-12-SBYV
PIASTRA CON INNESTI RAPIDI CON VALVOLA
PLATE WITH QUICK COUPLINGS WITH VALVE



COMPONENTI SINGOLI – SINGLE COMPONENTS

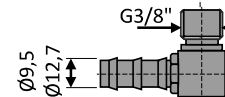
PCM1319-09-G038-BYV
INNESTO RAPIDO DI COLLEGAMENTO ALLA PARTE MOBILE CON VALVOLA
QUICK COUPLING WITH VALVE FOR CONNECTING TO THE MOBILE PLATE

PCM1319-09-G038-BXV
INNESTO RAPIDO DI COLLEGAMENTO ALLA PARTE MOBILE SENZA VALVOLA
QUICK COUPLING WITHOUT VALVE FOR CONNECTING TO THE MOBILE PLATE



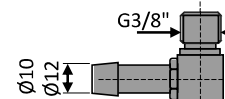
PC2247-10-G038
RACCORDO EASYLOCK 90° PER TUBO Ø9,5 mm - 90° EASYLOCK PLUG HOSE Ø9,5 mm.

PC2247-13-G038
RACCORDO EASYLOCK 90° PER TUBO Ø12,7 mm. - 90° EASYLOCK PLUG HOSE Ø12,7 mm.



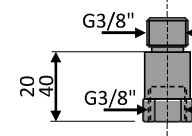
PC2248-10-G038
RACCORDO PORTAGOMMA 90° TUBO Ø10 mm. - 90° HOSE TAIL PLUG Ø10 mm.

PC2248-12-G038
RACCORDO PORTAGOMMA 90° TUBO Ø12 mm. - 90° HOSE TAIL PLUG Ø12 mm.



PC2249-G038-L020
RACCORDO DRITTO FIL. FEMMINA G3/8" – G3/8" FEMALE THREADED EXTENSION PLUG

PC2249-G038-L040
RACCORDO DRITTO FIL. FEMMINA G3/8" – G3/8" FEMALE THREADED EXTENSION PLUG



PM1309

PIASTRACON PASSAGGIO Ø9 – 10+10 POSIZIONI
PLATE WITH FLOW PASSAGE Ø9 10+10 GATES

PIASTRA LATO PRESSA – INJECTION MACHINE PLATE



Ø9 – 10+10



PM1309-20-10-MP
PIASTRA 20 INNESTI EASYLOCK CON VALVOLA TUBO Ø9,5 - PLATE WITH 20 EASYLOCK PLUG Ø9,5 WITH VALVE



PM1309-20-13-MP
PIASTRA 20 INNESTI EASYLOCK CON VALVOLA PER TUBO Ø12,7 – PLATE WITH 20 EASYLOCK PLUG Ø12,7 WITH VALVE



PM1309-20-10-MT
PIASTRA 20 INNESTI CON PORTAGOMMA E VALVOLA PER TUBO Ø10 – PLATE WITH 20 HOSE TAIL PLUG Ø10 WITH VALVE

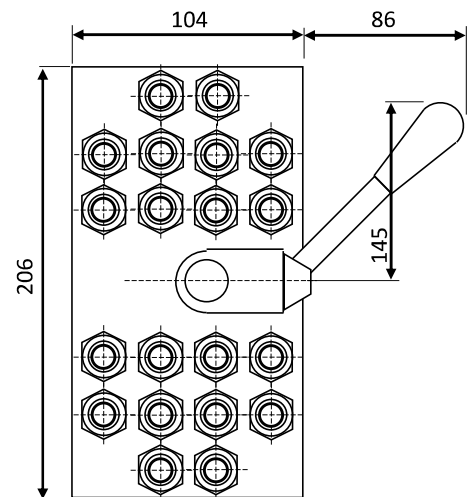
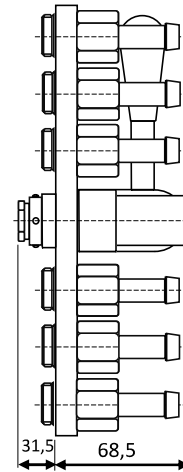


PM1309-20-12-MT
PIASTRA 20 INNESTI PORTAGOMMA CON VALVOLA PER TUBO Ø12 – PLATE WITH 20 HOSE TAIL PLUG Ø12 WITH VALVE

PM1309-20-G038-MF
PIASTRA 20 INNESTI CON FILETTO FEMMINA G3/8" CON VALVOLA - PLATE WITH 20 X G3/8" FEMALE TRHEADED PLUG WITH VALVE

PM1309-20-G100-MF
PIASTRA 20 INNESTI CON VALVOLA ED UN INGRESSO FEMMINA G1" - PLATE WITH 20 X PLUGS WITH VALVE AND ONE INLET WITH G3/8" FEMALE THREAD

PM1309-20-00-MB
PIASTRA BASE, SENZA RACCORDI – BASE PLATE WITHOUT PLUGS



COMPONENTI SINGOLI – SINGLE COMPONENTS

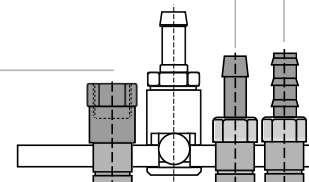
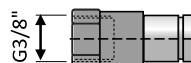
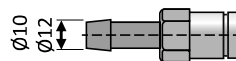
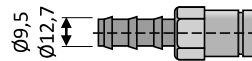
PCM1301-09-10
RACCORDO EASYLOCK PER TUBO Ø9,5 mm. CON VALVOLA
EASYLOCK PLUG HOSE Ø9,5 mm. WITH VALVE

PCM1301-09-13
RACCORDO EASYLOCK PER TUBO Ø9,5 mm. CON VALVOLA
EASYLOCK PLUG HOSE Ø9,5 mm. WITH VALVE

PCM1303-09-10
RACCORDO PORTAGOMMA TUBO Ø10 mm.
HOSE TAIL PLUG Ø10 mm. WITH VALVE

PCM1303-09-12
RACCORDO PORTAGOMMA TUBO Ø12 mm.
HOSE TAIL PLUG HOSE Ø12 mm. WITH VALVE

PCM1349-09-G038
RACCORDO DRITTO FIL. FEMMINA 3/8" BSPP
FEMALE THREADED PLUG 3/8" BSPP WITH VALVE

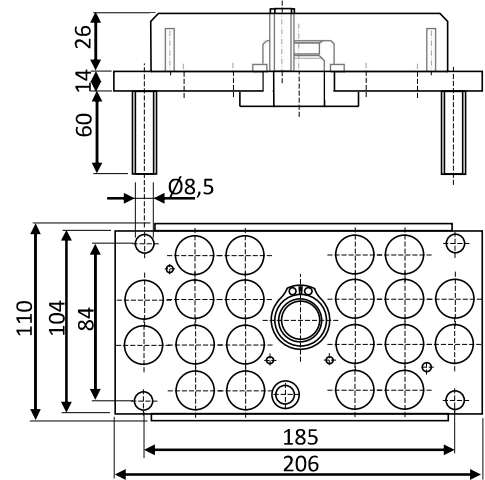


COMPONENTI PARTE STAMPO – MOULD SIDE COMPONENTS



PM1309-20-00-SB

PIASTRA BASE CON PIEDINI E
INNESTO PIASTRA - BASE PLATE
WITH SPACERS AND PLATE PLUG

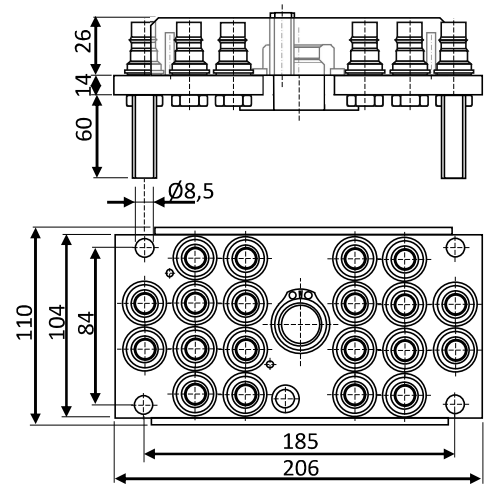


PM1309-20-20-SBXV

PIASTRA CON INNESTI RAPIDI SENZA VALVOLA
PLATE WITH QUICK COUPLINGS WITHOUT VALVE

PM1309-20-20-SBYV

PIASTRA CON INNESTI RAPIDI CON VALVOLA
PLATE WITH QUICK COUPLINGS WITH VALVE



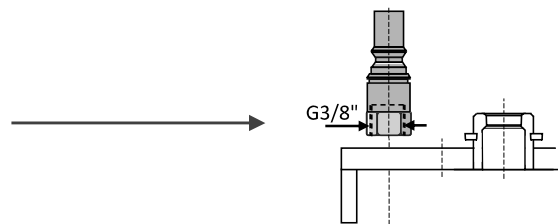
COMPONENTI SINGOLI – SINGLE COMPONENTS

PCM1319-09-G038-BYV

INNESTO RAPIDO DI COLLEGAMENTO ALLA PARTE MOBILE CON VALVOLA
QUICK COUPLING WITH VALVE FOR CONNECTING TO THE MOBILE PLATE

PCM1319-09-G038-BXV

INNESTO RAPIDO DI COLLEGAMENTO ALLA PARTE MOBILE SENZA VALVOLA
QUICK COUPLING WITHOUT VALVE FOR CONNECTING TO THE MOBILE PLATE

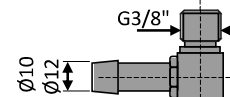
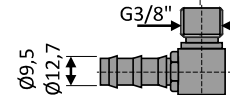


PC2247-10-G038

RACCORDO EASYLOCK 90° PER TUBO Ø9,5 mm - 90° EASYLOCK PLUG HOSE Ø9,5 mm.

PC2247-13-G038

RACCORDO EASYLOCK 90° PER TUBO Ø12,7 mm. - 90° EASYLOCK PLUG HOSE Ø12,7 mm.

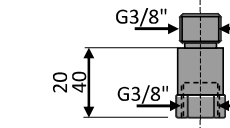


PC2248-10-G038

RACCORDO PORTAGOMMA 90° TUBO Ø10 mm. - 90° HOSE TAIL PLUG Ø10 mm.

PC2248-12-G038

RACCORDO PORTAGOMMA 90° TUBO Ø12 mm. - 90° HOSE TAIL PLUG Ø12 mm.



PC2249-G038-L020

RACCORDO DRITTO FIL. FEMMINA G3/8" – G3/8" FEMALE THREADED EXTENSION PLUG

PC2249-G038-L040

RACCORDO DRITTO FIL. FEMMINA G3/8" – G3/8" FEMALE THREADED EXTENSION PLUG

PM1312

PIASTRACON PASSAGGIO Ø12 – 6+6 POSIZIONI
PLATE WITH FLOW PASSAGE Ø12 6+6 GATES

PIASTRA LATO PRESSA – INJECTION MACHINE PLATE



Ø12 – 6+6



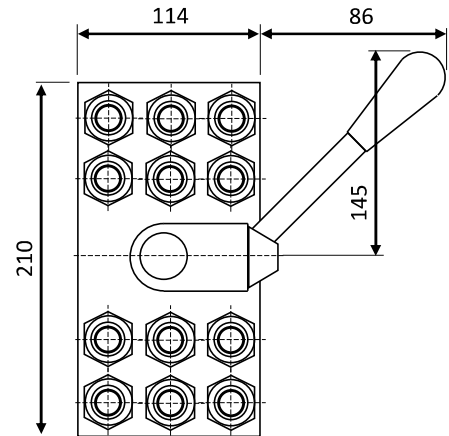
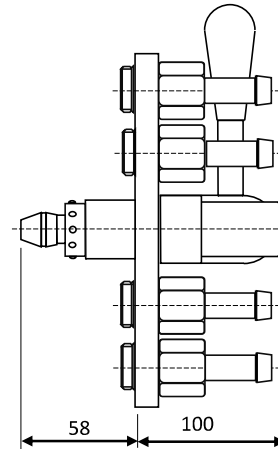
PM1312-12-16-MP
PIASTRA 12 INNESTI EASYLOCK CON
VALVOLA TUBO Ø16 - PLATE WITH 12
EASYLOCK PLUG Ø16 WITH VALVE



PM1312-12-16-MT
PIASTRA 12 INNESTI CON PORTAGOMMA E
VALVOLA PER TUBO Ø16 – PLATE WITH 12
HOSE TAIL PLUG Ø16 WITH VALVE



PM1312-12-G012-MF
PIASTRA 20 INNESTI CON FILETTO FEMMINA
G1/2" CON VALVOLA - PLATE WITH 20 X G1/2"
FEMALE TRHEADED PLUG WITH VALVE

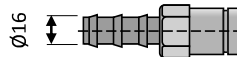


PM1312-12-00-MB
PIASTRA BASE, SENZA RACCORDI – BASE PLATE WITHOUT PLUGS

COMPONENTI SINGOLI – SINGLE COMPONENTS

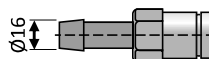
PCM1301-12-16

RACCORDO EASYLOCK PER TUBO Ø16 mm. CON VALVOLA
EASYLOCK PLUG HOSE Ø16 mm. WITH VALVE



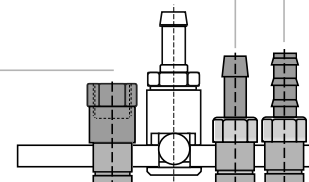
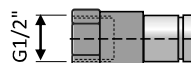
PCM1303-12-16

RACCORDO PORTAGOMMA TUBO Ø16 mm.
HOSE TAIL PLUG HOSE Ø12 mm. WITH VALVE



PCM1349-12-G012

RACCORDO DRITTO FIL. FEMMINA 1/2" BSPP
FEMALE THREADED PLUG 1/2" BSPP WITH VALVE

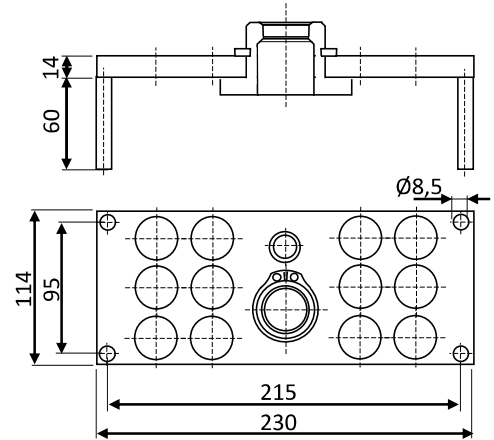


COMPONENTI PARTE STAMPO – MOULD SIDE COMPONENTS



PM1312-12-00-SB

PIASTRA BASE CON PIEDINI E
INNESTO PIASTRA - BASE PLATE
WITH SPACERS AND PLATE PLUG

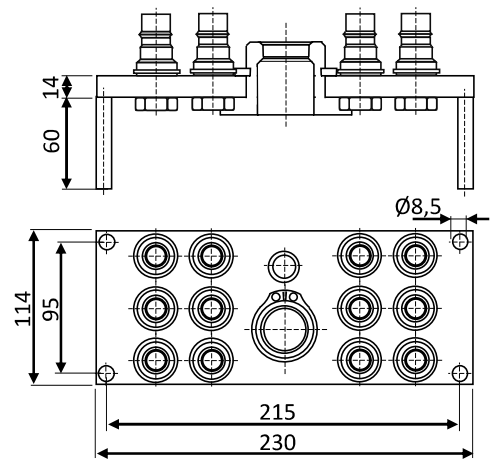


PM1312-12-12-SBXV

PIASTRA CON INNESTI RAPIDI SENZA VALVOLA
PLATE WITH QUICK COUPLINGS WITHOUT VALVE

PM1312-12-12-SBYV

PIASTRA CON INNESTI RAPIDI CON VALVOLA
PLATE WITH QUICK COUPLINGS WITH VALVE



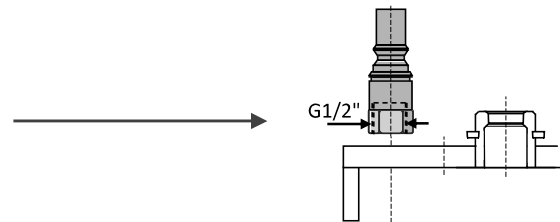
COMPONENTI SINGOLI – SINGLE COMPONENTS

PCM1319-12-G012-BYV

INNESTO RAPIDO DI COLLEGAMENTO ALLA PARTE MOBILE CON VALVOLA
QUICK COUPLING WITH VALVE FOR CONNECTING TO THE MOBILE PLATE

PCM1319-12-G012-BXV

INNESTO RAPIDO DI COLLEGAMENTO ALLA PARTE MOBILE SENZA VALVOLA
QUICK COUPLING WITHOUT VALVE FOR CONNECTING TO THE MOBILE PLATE

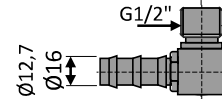


PC2247-13-G012

RACCORDO EASYLOCK 90° PER TUBO Ø12,7 mm. - 90° EASYLOCK PLUG HOSE Ø12,7 mm.

PC2247-16-G012

RACCORDO EASYLOCK 90° PER TUBO Ø16 mm. - 90° EASYLOCK PLUG HOSE Ø16 mm.

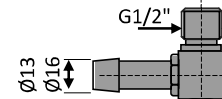


PC2248-13-G012

RACCORDO PORTAGOMMA 90° TUBO Ø13 mm. - 90° HOSE TAIL PLUG Ø13 mm.

PC2248-16-G012

RACCORDO PORTAGOMMA 90° TUBO Ø16 mm. - 90° HOSE TAIL PLUG Ø16 mm.

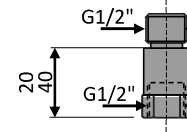


PC2249-G012-L020

RACCORDO DRITTO FIL. FEMMINA G1/2" – G1/2" FEMALE THREADED EXTENSION PLUG

PC2249-G012-L040

RACCORDO DRITTO FIL. FEMMINA G1/2" – G1/2" FEMALE THREADED EXTENSION PLUG



PM1312

**PIASTRACON PASSAGGIO Ø12 – 10+10 POSIZIONI
PLATE WITH FLOW PASSAGE Ø12 10+10 GATES**

PIASTRA LATO PRESSA – INJECTION MACHINE PLATE



Ø12 – 10+10



PM1312-20-16-MP
PIASTRA 20 INNESTI EASYLOCK CON
VALVOLA TUBO Ø16 - PLATE WITH 20
EASYLOCK PLUG Ø16 WITH VALVE

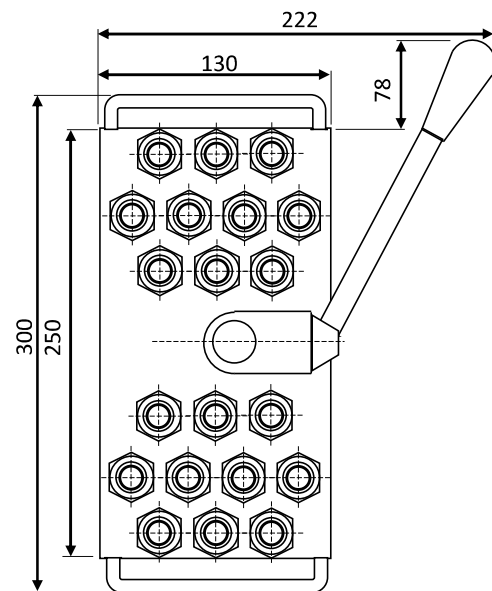
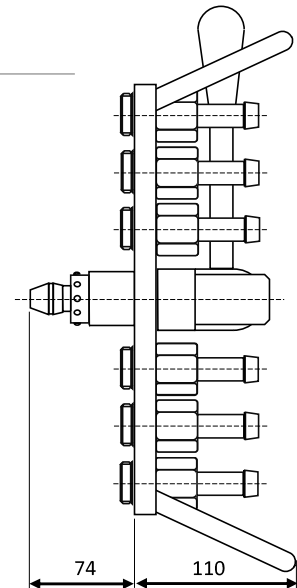


PM1312-20-16-MT
PIASTRA 20 INNESTI CON PORTAGOMMA E
VALVOLA PER TUBO Ø16 – PLATE WITH 20
HOSE TAIL PLUG Ø16 WITH VALVE



PM1312-20-G012-MF
PIASTRA 20 INNESTI CON FILETTO FEMMINA
G1/2" CON VALVOLA - PLATE WITH 20 X
G1/2" FEMALE TRHEADED PLUG WITH
VALVE

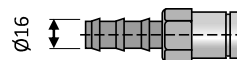
PM1312-20-00-MB
PIASTRA BASE, SENZA RACCORDI
BASE PLATE WITHOUT PLUGS



COMPONENTI SINGOLI – SINGLE COMPONENTS

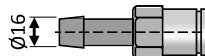
PCM1301-12-16

RACCORDO EASYLOCK PER TUBO Ø16 mm. CON VALVOLA
EASYLOCK PLUG HOSE Ø16 mm. WITH VALVE



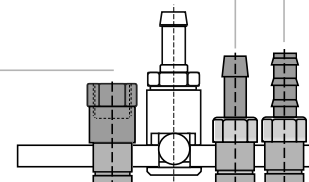
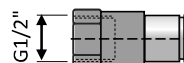
PCM1303-12-16

RACCORDO PORTAGOMMA TUBO Ø16 mm.
HOSE TAIL PLUG HOSE Ø16 mm. WITH VALVE



PCM1349-12-G012

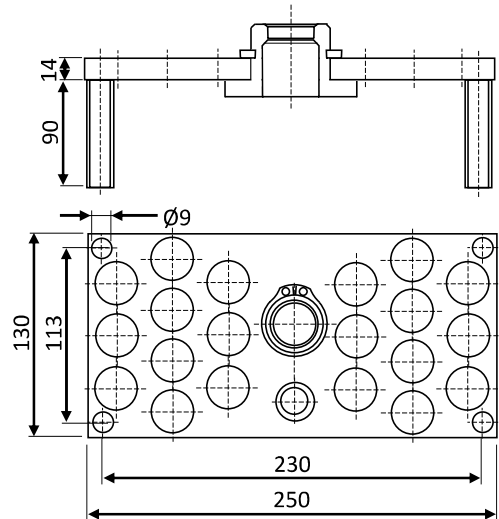
RACCORDO DRITTO FIL. FEMMINA 1/2" BSPP
FEMALE THREADED PLUG 1/2" BSPP WITH VALVE



COMPONENTI PARTE STAMPO – MOULD SIDE COMPONENTS

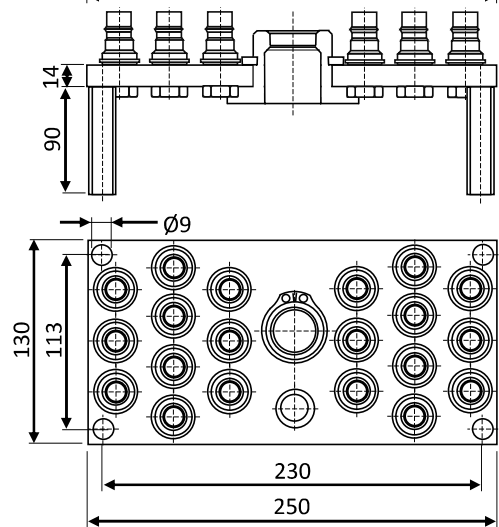


PM1312-20-00-SB
PIASTRA BASE CON PIEDINI E
INNESTO PIASTRA - BASE PLATE
WITH SPACERS AND PLATE PLUG



PM1312-20-20-SBXV
PIASTRA CON INNESTI RAPIDI SENZA VALVOLA
PLATE WITH QUICK COUPLINGS WITHOUT VALVE

PM1312-20-20-SBYV
PIASTRA CON INNESTI RAPIDI CON VALVOLA
PLATE WITH QUICK COUPLINGS WITH VALVE



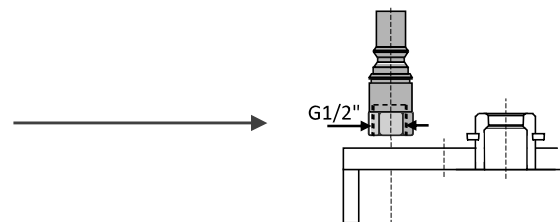
COMPONENTI SINGOLI – SINGLE COMPONENTS

PCM1319-12-G012-BYV

INNESTO RAPIDO DI COLLEGAMENTO ALLA PARTE MOBILE CON VALVOLA
QUICK COUPLING WITH VALVE FOR CONNECTING TO THE MOBILE PLATE

PCM1319-12-G012-BXV

INNESTO RAPIDO DI COLLEGAMENTO ALLA PARTE MOBILE SENZA VALVOLA
QUICK COUPLING WITHOUT VALVE FOR CONNECTING TO THE MOBILE PLATE

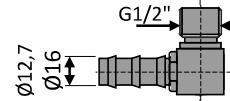


PC2247-13-G012

RACCORDO EASYLOCK 90° PER TUBO Ø12,7 mm. - 90° EASYLOCK PLUG HOSE Ø12,7 mm.

PC2247-16-G012

RACCORDO EASYLOCK 90° PER TUBO Ø16 mm. - 90° EASYLOCK PLUG HOSE Ø16 mm.

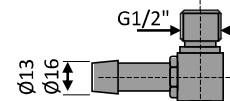


PC2248-13-G012

RACCORDO PORTAGOMMA 90° TUBO Ø13 mm. - 90° HOSE TAIL PLUG Ø13 mm.

PC2248-16-G012

RACCORDO PORTAGOMMA 90° TUBO Ø16 mm. - 90° HOSE TAIL PLUG Ø16 mm.

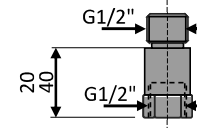


PC2249-G012-L020

RACCORDO DRITTO FIL. FEMMINA G1/2" – G1/2" FEMALE THREADED EXTENSION PLUG

PC2249-G012-L040

RACCORDO DRITTO FIL. FEMMINA G1/2" – G1/2" FEMALE THREADED EXTENSION PLUG



PM1316

**PIASTRACON PASSAGGIO Ø16 – 6+6 POSIZIONI
PLATE WITH FLOW PASSAGE Ø16 6+6 GATES**

PIASTRA LATO PRESSA – INJECTION MACHINE PLATE



Ø16 – 6+6



PM1316-12-19-MP
PIASTRA 12 INNESTI EASYLOCK CON
VALVOLA TUBO Ø19 - PLATE WITH 12
EASYLOCK PLUG Ø19 WITH VALVE

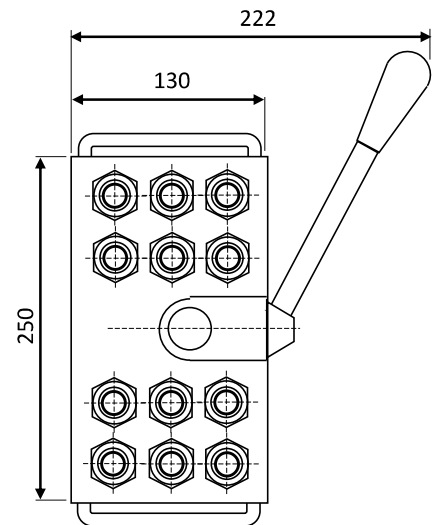
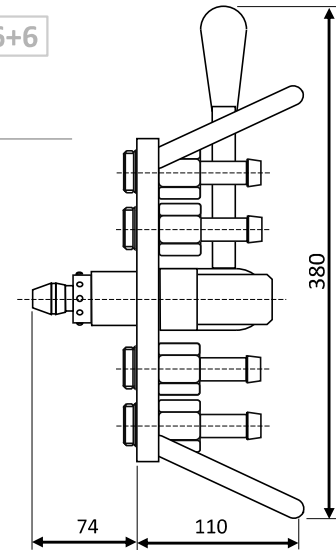


PM1316-12-19-MT
PIASTRA 12 INNESTI CON PORTAGOMMA E
VALVOLA PER TUBO Ø19 – PLATE WITH 12
HOSE TAIL PLUG Ø19 WITH VALVE



PM1316-12-G034-MF
PIASTRA 12 INNESTI CON FILETTO FEMMINA
G3/4" CON VALVOLA - PLATE WITH 12 X G3/4"
FEMALE TRHEADED PLUG WITH VALVE

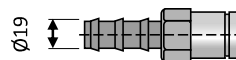
PM1316-12-00-MB
PIASTRA BASE, SENZA RACCORDI
BASE PLATE WITHOUT PLUGS



COMPONENTI SINGOLI – SINGLE COMPONENTS

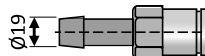
PCM1301-16-19

RACCORDO EASYLOCK PER TUBO Ø19 mm. CON VALVOLA
EASYLOCK PLUG HOSE Ø19 mm. WITH VALVE



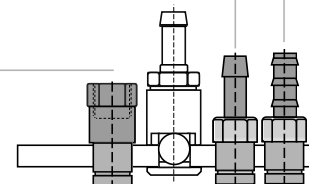
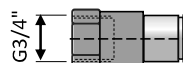
PCM1303-16-19

RACCORDO PORTAGOMMA TUBO Ø19 mm.
HOSE TAIL PLUG HOSE Ø19 mm. WITH VALVE



PCM1349-16-G034

RACCORDO DRITTO FIL. FEMMINA 3/4" BSPP
FEMALE THREADED PLUG 3/4" BSPP WITH VALVE



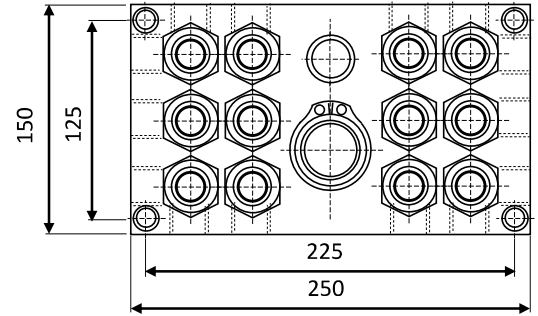
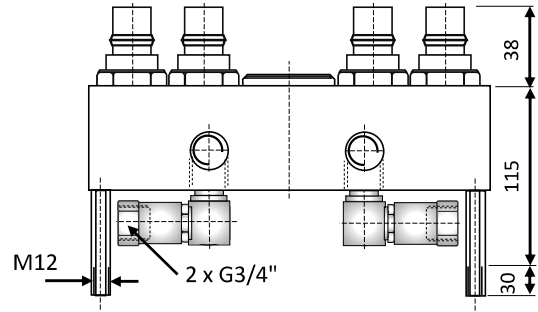
COMPONENTI PARTE STAMPO – MOULD SIDE COMPONENTS

PM1316-12-SC-BXV

PIASTRA CON 12 NIPPLI MASCHIO SENZA VALVOLA
PLATE WITH 12 PLUGS WITHOUT VALVE

PM1316-12-SC-BYV

PIASTRA CON 12 NIPPLI MASCHIO CON VALVOLA
PLATE WITH 12 PLUGS WITH VALVE







MULTICONNESSIONE SERIE 115 CON 4, 5 e 6 CIRCUITI
115 SERIES MULTICOUPLINGS WITH 4, 5 e 6 CIRCUITS

PM0115 220



MULTICONNESSIONE SERIE 115 CON 7 E 8 CIRCUITI
115 SERIES MULTICOUPLINGS WITH 7 AND 8 CIRCUITS

PM0115 222

CARATTERISTICHE TECNICHE:

Pressione max. di esercizio: 100 Bar
Temperatura max. di esercizio: 100°C
Portata max. 8 lit\min

TECHNICAL FEATURES:

Max. working pressure: 100 Bar
Max. working temperature: 100°C
Max. flow 8 lit\min

PM0115

PIASTRA LATO PRESSA – INJECTION MACHINE PLATE

PIASTRACON PASSAGGIO Ø5 – 4+4 POSIZIONI
PLATE WITH FLOW PASSAGE Ø5 4+4 GATES

PM0115-05-08-G014-MF

PIASTRA 8 INNESTI CON VALVOLA FACCIA PIANA E
 FILETTO FEMMINA G1/4" - PLATE WITH 8 FLAT FACE
 VALVE PLUGS AND G1/4" FEMALE THREAD



PIASTRACON PASSAGGIO Ø5 – 5+5 POSIZIONI
PLATE WITH FLOW PASSAGE Ø5 5+5 GATES

PM0115-05-10-G014-MF

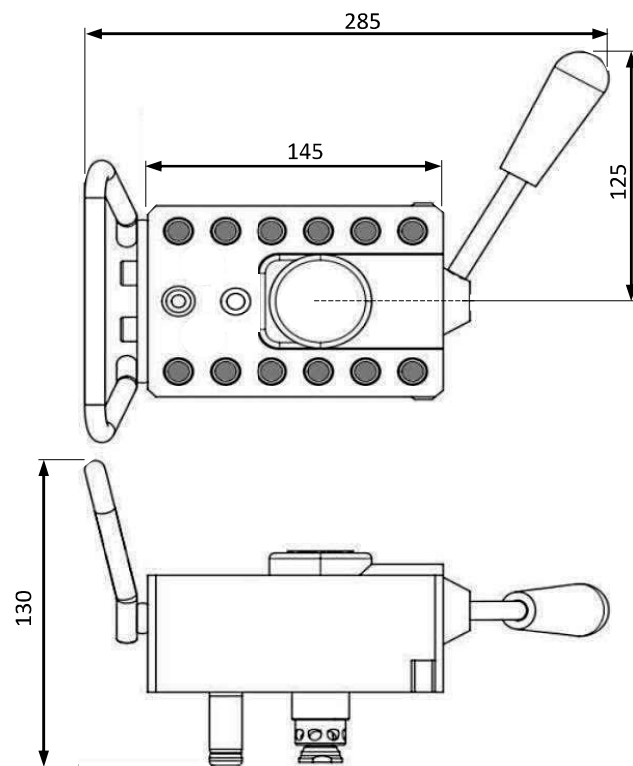
PIASTRA 10 INNESTI CON VALVOLA FACCIA PIANA E
 FILETTO FEMMINA G1/4" - PLATE WITH 10 FLAT FACE
 VALVE PLUGS AND G1/4" FEMALE THREAD

PIASTRACON PASSAGGIO Ø5 – 6+6 POSIZIONI
PLATE WITH FLOW PASSAGE Ø5 6+6 GATES

PM0115-05-10-G014-MF

PIASTRA 12 INNESTI CON VALVOLA FACCIA PIANA E
 FILETTO FEMMINA G1/4" - PLATE WITH 12 FLAT FACE
 VALVE PLUGS AND G1/4" FEMALE THREAD

Disponibili anche con filetto femmina conico R1/4", NPT 1/4" e
 UNF 9/16-18 – Available also with female thread R1/4" conical,
 NPT 1/4" and UNF 9/16-18



PCM0115-05-IF

INNESTO FEMMINA PER PIASTRA-STAMPO PM0115 PASSAGGIO Ø5
 FEMALE PLUG FOR MOULD-PLATE PM0115 WITH FLOW PASSAGE Ø5



PM0115

PIASTRA LATO STAMPO – MOULD PLATE

**PIASTRACON PASSAGGIO Ø5 – 4+4 POSIZIONI
PLATE WITH FLOW PASSAGE Ø5 4+4 GATES**

PM0115-05-08-G014-SB

PIASTRA 8 INNESTI CON VALVOLA FACCIA PIANA E FILETTO FEMMINA G1/4" - PLATE WITH 8 FLAT FACE VALVE PLUGS AND G1/4" FEMALE THREAD



**PIASTRACON PASSAGGIO Ø5 – 5+5 POSIZIONI
PLATE WITH FLOW PASSAGE Ø5 5+5 GATES**

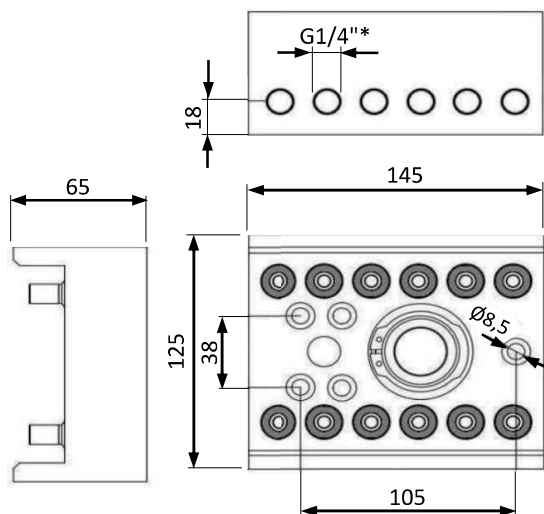
PM0115-05-10-G014-SB

PIASTRA 10 INNESTI CON VALVOLA FACCIA PIANA E FILETTO FEMMINA G1/4" - PLATE WITH 10 FLAT FACE VALVE PLUGS AND G1/4" FEMALE THREAD

**PIASTRACON PASSAGGIO Ø5 – 6+6 POSIZIONI
PLATE WITH FLOW PASSAGE Ø5 6+6 GATES**

PM0115-05-12-G014-SB

PIASTRA 12 INNESTI CON VALVOLA FACCIA PIANA E FILETTO FEMMINA G1/4" - PLATE WITH 12 FLAT FACE VALVE PLUGS AND G1/4" FEMALE THREAD



* Disponibili anche con filetto femmina conico R1/4", NPT 1/4" e UNF 9/16-18 – Available also with female thread R1/4" conical, NPT 1/4" and UNF 9/16-18

PCM0115-05-IM

**INNESTO MASCHIO PER PIASTRA-STAMPO PM0115 PASSAGGIO Ø5
MALE PLUG FOR MOULD-PLATE PM0115 WITH FLOW PASSAGE Ø5**



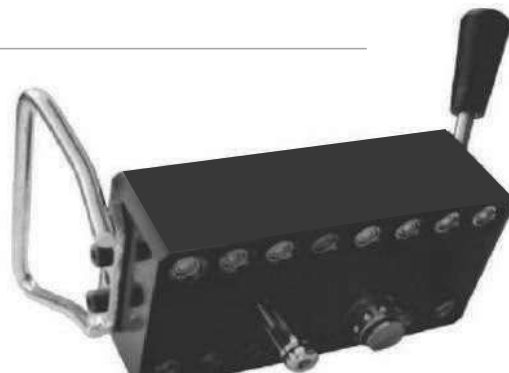
PM0115

PIASTRA LATO PRESSA – INJECTION MACHINE PLATE

PIASTRACON PASSAGGIO Ø5 – 8+8 POSIZIONI
PLATE WITH FLOW PASSAGE Ø5 8+8 GATES

PM0115-05-16-G014-MF

PIASTRA 16 INNESTI CON VALVOLA FACCIA PIANA E
 FILETTO FEMMINA G1/4" - PLATE WITH 16 FLAT FACE
 VALVE PLUGS AND G1/4" FEMALE THREAD

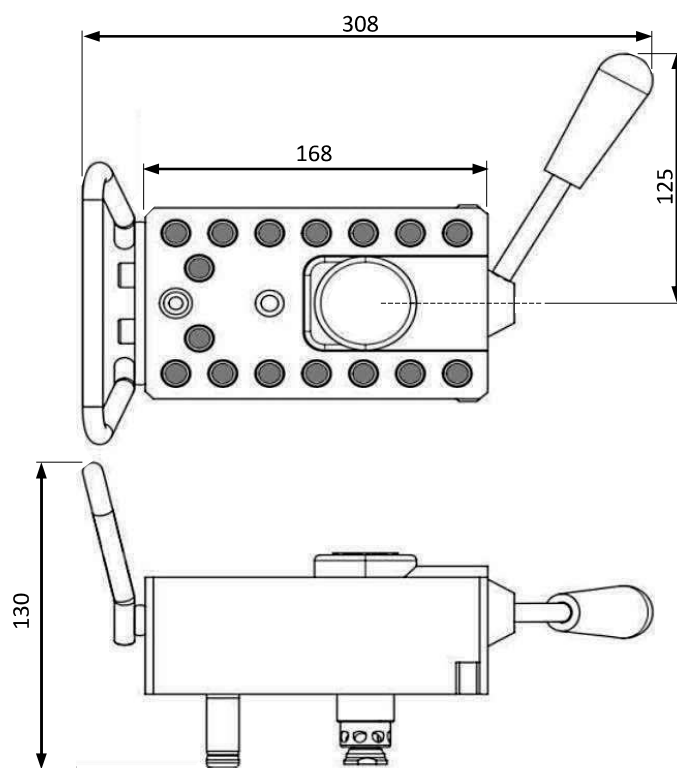


PIASTRACON PASSAGGIO Ø5 – 7+7 POSIZIONI
PLATE WITH FLOW PASSAGE Ø5 7+7 GATES

PM0115-05-14-G014-MF

PIASTRA 14 INNESTI CON VALVOLA FACCIA PIANA E
 FILETTO FEMMINA G1/4" - PLATE WITH 14 FLAT FACE
 VALVE PLUGS AND G1/4" FEMALE THREAD

Disponibili anche con filetto femmina conico R1/4", NPT 1/4" e
 UNF 9/16-18 – Available also with female thread R1/4" conical,
 NPT 1/4" and UNF 9/16-18



PCM0115-05-IF

INNESTO FEMMINA PER PIASTRA-STAMPO PM0115 PASSAGGIO Ø5
 FEMALE PLUG FOR MOULD-PLATE PM0115 WITH FLOW PASSAGE Ø5



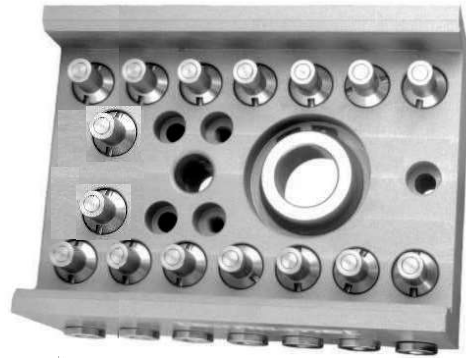
PM0115

PIASTRA LATO STAMPO – MOULD PLATE

**PIASTRACON PASSAGGIO Ø5 – 8+8 POSIZIONI
PLATE WITH FLOW PASSAGE Ø5 8+8 GATES**

PM0115-05-16-G014-SB

PIASTRA 16 INNESTI CON VALVOLA FACCIA PIANA E
FILETTO FEMMINA G1/4" - PLATE WITH 16 FLAT FACE
VALVE PLUGS AND G1/4" FEMALE THREAD

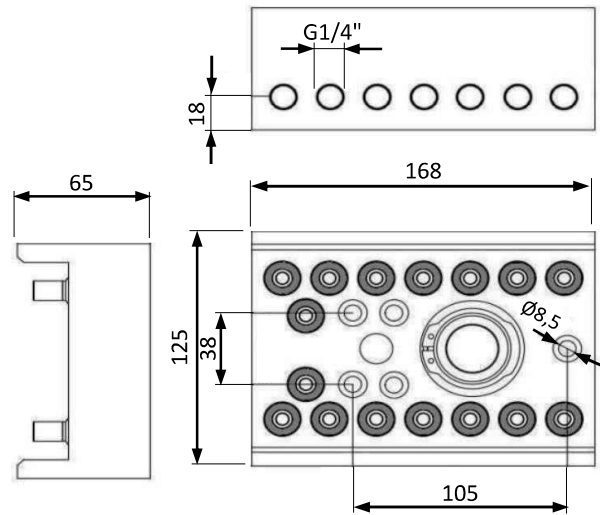


**PIASTRACON PASSAGGIO Ø5 – 7+7 POSIZIONI
PLATE WITH FLOW PASSAGE Ø5 7+7 GATES**

PM0115-05-14-G014-SB

PIASTRA 14 INNESTI CON VALVOLA FACCIA PIANA E
FILETTO FEMMINA G1/4" - PLATE WITH 14 FLAT FACE
VALVE PLUGS AND G1/4" FEMALE THREAD

Disponibili anche con filetto femmina conico R1/4", NPT 1/4" e
UNF 9/16-18 – Available also with female thread R1/4" conical,
NPT 1/4" and UNF 9/16-18



PCM0115-05-IM

**INNESTO MASCHIO PER PIASTRA-STAMPO PM0115 PASSAGGIO Ø5
MALE PLUG FOR MOULD-PLATE PM0115 WITH FLOW PASSAGE Ø5**







MULTICONNESSIONE ALTA PRESSIONE PER CIRCUITI
OLEDINAMICI A 2 INNESTI – HIGH PRESSURE
HYDRAULIC MULTICOUPLINGS FOR 2 PLUGS

PM0108.08 226



MULTICONNESSIONE ALTA PRESSIONE PER CIRCUITI
OLEDINAMICI A 4 INNESTI – HIGH PRESSURE HYDRAULIC
MULTICOUPLINGS FOR 4 PLUGS

PM0108.08 227



MULTICONNESSIONE ALTA PRESSIONE PER CIRCUITI
OLEDINAMICI A 6 INNESTI – HIGH PRESSURE HYDRAULIC
MULTICOUPLINGS FOR 6 PLUGS

PM0108.08 228



MULTICONNESSIONE ALTA PRESSIONE PER CIRCUITI
OLEDINAMICI A 2 INNESTI – HIGH PRESSURE
HYDRAULIC MULTICOUPLINGS FOR 2 PLUGS

PM0108.10 229



MULTICONNESSIONE ALTA PRESSIONE PER CIRCUITI
OLEDINAMICI A 4 INNESTI – HIGH PRESSURE HYDRAULIC
MULTICOUPLINGS FOR 4 PLUGS

PM0108.10 230



MULTICONNESSIONE ALTA PRESSIONE PER CIRCUITI
OLEDINAMICI A 6 INNESTI – HIGH PRESSURE HYDRAULIC
MULTICOUPLINGS FOR 6 PLUGS

PM0108.10 231

CARATTERISTICHE TECNICHE:

Pressione max. di esercizio: 180 Bar
Temperatura max. di esercizio: 100°C
Portata max. fino a 30 lit\min

TECHNICAL FEATURES:

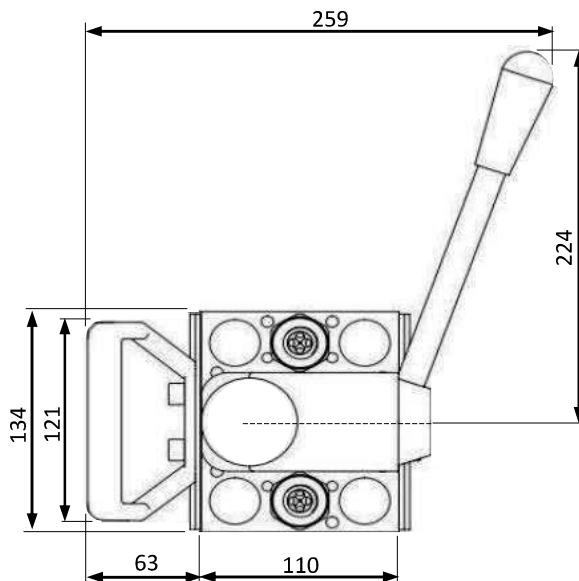
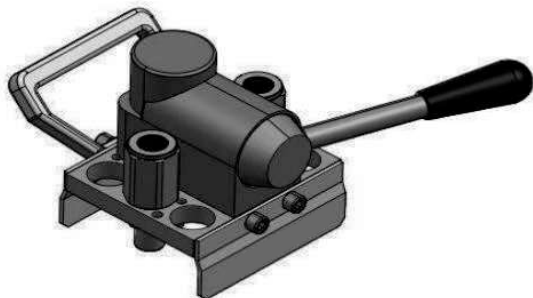
Max. working pressure: 180 Bar
Max. working temperature: 100°C
Max. flow up to 30 lit\min



PM0108.08

PIASTRA CON PASSAGGIO Ø8 – 1+1 POSIZIONI
PLATE WITH FLOW PASSAGE Ø8 1+1 GATES

PIASTRA LATO PRESSA – INJECTION MACHINE PLATE



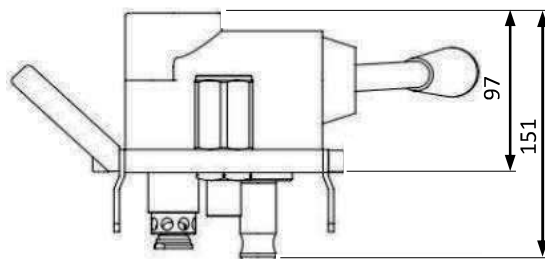
PM0108-08-02-G038-MF

PIASTRA 2 INNESTI CON VALVOLA FACCIA PIANA E
FILETTO FEMMINA G3/8" - PLATE WITH 2 FLAT FACE
VALVE PLUGS AND G3/8" FEMALE THREAD

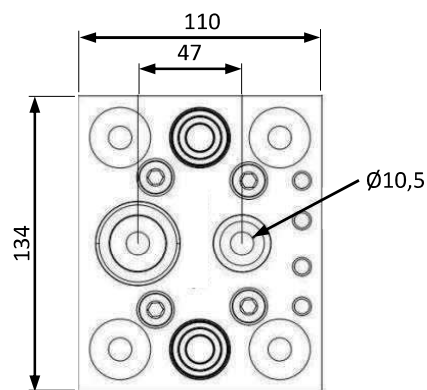
PM0108-08-02-G012-MF

PIASTRA 2 INNESTI CON VALVOLA FACCIA PIANA E
FILETTO FEMMINA G1/2" - PLATE WITH 2 FLAT FACE
VALVE PLUGS AND G1/2" FEMALE THREAD

Disponibili anche con filetto femmina NPT e UNF – Available
also with female thread NPT and UNF



PIASTRA LATO STAMPO – MOULD PLATE



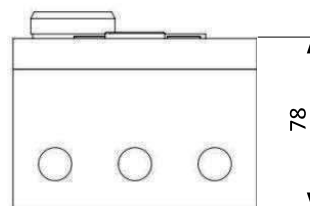
PM0108-08-02-G038-SB

PIASTRA 2 INNESTI CON VALVOLA FACCIA PIANA E
FILETTO FEMMINA G3/8" - PLATE WITH 2 FLAT FACE
VALVE PLUGS AND G3/8" FEMALE THREAD

PM0108-08-02-G012-SB

PIASTRA 2 INNESTI CON VALVOLA FACCIA PIANA E
FILETTO FEMMINA G1/2" - PLATE WITH 2 FLAT FACE
VALVE PLUGS AND G1/2" FEMALE THREAD

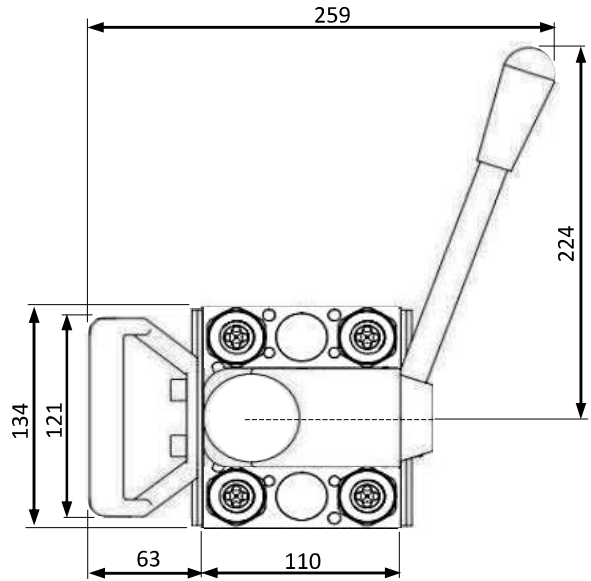
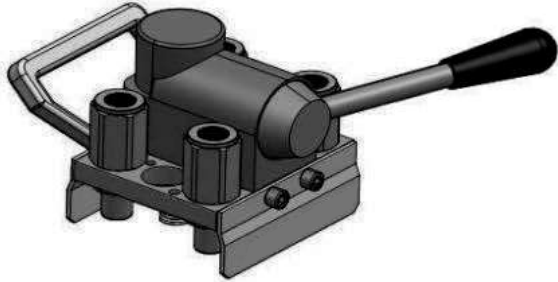
Disponibili anche con filetto femmina NPT e UNF – Available
also with female thread NPT and UNF



PM0108.08

PIASTRA CON PASSAGGIO Ø8 – 2+2 POSIZIONI
PLATE WITH FLOW PASSAGE Ø8 2+2 GATES

PIASTRA LATO PRESSA – INJECTION MACHINE PLATE



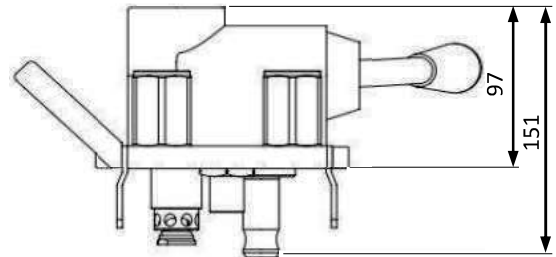
PM0108-08-04-G038-MF

PIASTRA 2 INNESTI CON VALVOLA FACCIA PIANA E FILETTO FEMMINA G3/8" - PLATE WITH 2 FLAT FACE VALVE PLUGS AND G3/8" FEMALE THREAD

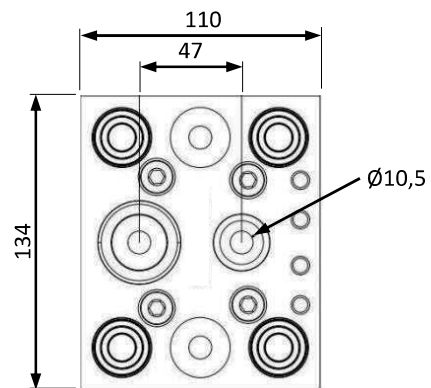
PM0108-08-04-G012-MF

PIASTRA 2 INNESTI CON VALVOLA FACCIA PIANA E FILETTO FEMMINA G1/2" - PLATE WITH 2 FLAT FACE VALVE PLUGS AND G1/2" FEMALE THREAD

Disponibili anche con filetto femmina NPT e UNF – Available also with female thread NPT and UNF



PIASTRA LATO STAMPO – MOULD PLATE



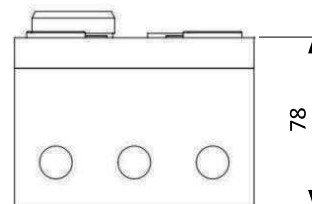
PM0108-08-04-G038-SB

PIASTRA 2 INNESTI CON VALVOLA FACCIA PIANA E FILETTO FEMMINA G3/8" - PLATE WITH 2 FLAT FACE VALVE PLUGS AND G3/8" FEMALE THREAD

PM0108-08-04-G012-SB

PIASTRA 2 INNESTI CON VALVOLA FACCIA PIANA E FILETTO FEMMINA G1/2" - PLATE WITH 2 FLAT FACE VALVE PLUGS AND G1/2" FEMALE THREAD

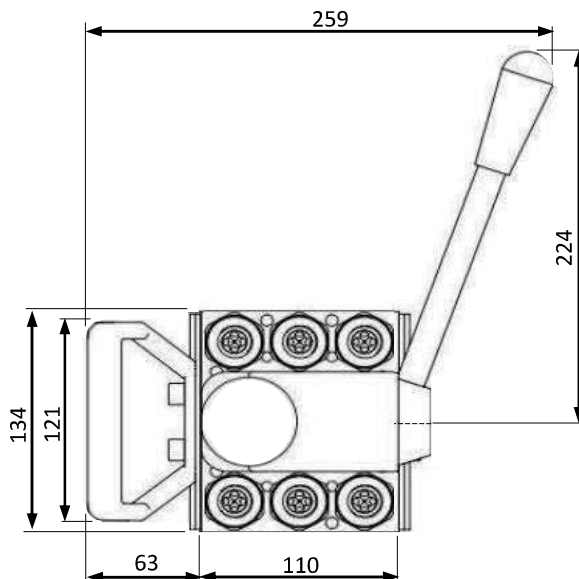
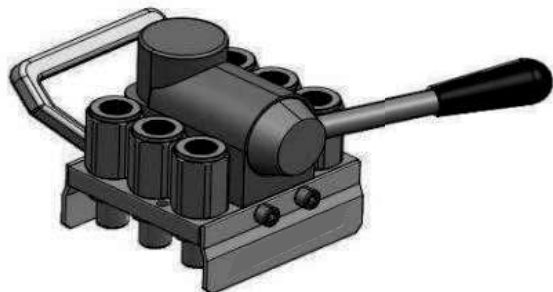
Disponibili anche con filetto femmina NPT e UNF – Available also with female thread NPT and UNF



PM0108.08

PIASTRA CON PASSAGGIO Ø8 – 3+3 POSIZIONI
PLATE WITH FLOW PASSAGE Ø8 3+3 GATES

PIASTRA LATO PRESSA – INJECTION MACHINE PLATE



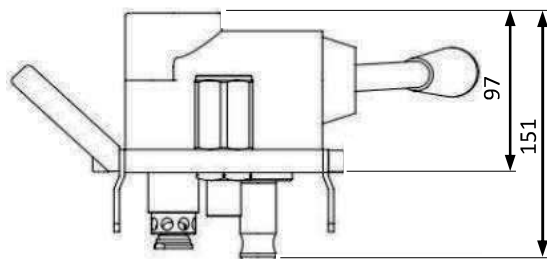
PM0108-08-02-G038-MF

PIASTRA 2 INNESTI CON VALVOLA FACCIA PIANA E
FILETTO FEMMINA G3/8" - PLATE WITH 2 FLAT FACE
VALVE PLUGS AND G3/8" FEMALE THREAD

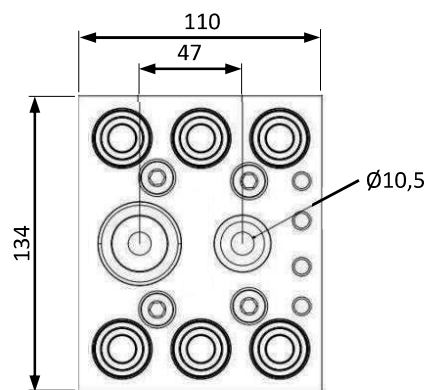
PM0108-08-02-G012-MF

PIASTRA 2 INNESTI CON VALVOLA FACCIA PIANA E
FILETTO FEMMINA G1/2" - PLATE WITH 2 FLAT FACE
VALVE PLUGS AND G1/2" FEMALE THREAD

Disponibili anche con filetto femmina NPT e UNF – Available
also with female thread NPT and UNF



PIASTRA LATO STAMPO – MOULD PLATE



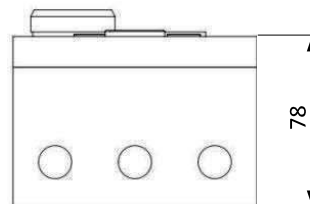
PM0108-08-06-G038-SB

PIASTRA 2 INNESTI CON VALVOLA FACCIA PIANA E
FILETTO FEMMINA G3/8" - PLATE WITH 2 FLAT FACE
VALVE PLUGS AND G3/8" FEMALE THREAD

PM0108-08-06-G012-SB

PIASTRA 2 INNESTI CON VALVOLA FACCIA PIANA E
FILETTO FEMMINA G1/2" - PLATE WITH 2 FLAT FACE
VALVE PLUGS AND G1/2" FEMALE THREAD

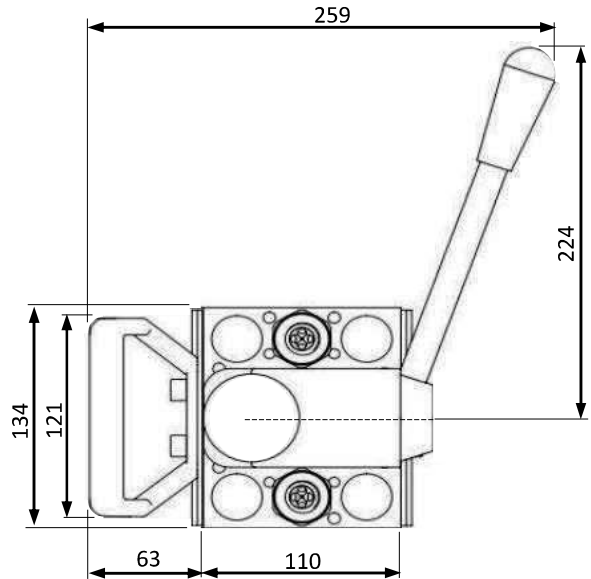
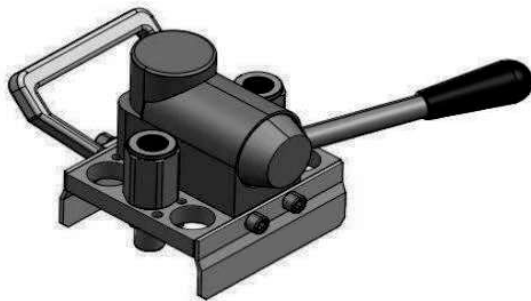
Disponibili anche con filetto femmina NPT e UNF – Available
also with female thread NPT and UNF



PM0108.10

PIASTRACON PASSAGGIO Ø10 – 1+1 POSIZIONI
PLATE WITH FLOW PASSAGE Ø10 1+1 GATES

PIASTRA LATO PRESSA – INJECTION MACHINE PLATE



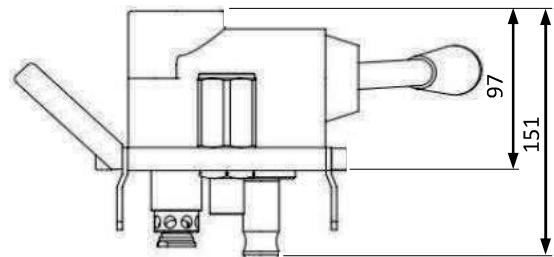
PM0108-10-02-G038-MF

PIASTRA 2 INNESTI CON VALVOLA FACCIA PIANA E
FILETTO FEMMINA G3/8" - PLATE WITH 2 FLAT FACE
VALVE PLUGS AND G3/8" FEMALE THREAD

PM0108-10-02-G012-MF

PIASTRA 2 INNESTI CON VALVOLA FACCIA PIANA E
FILETTO FEMMINA G1/2" - PLATE WITH 2 FLAT FACE
VALVE PLUGS AND G1/2" FEMALE THREAD

Disponibili anche con filetto femmina NPT e UNF – Available
also with female thread NPT and UNF



PIASTRA LATO STAMPO – MOULD PLATE



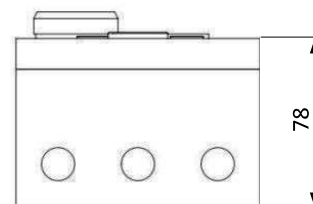
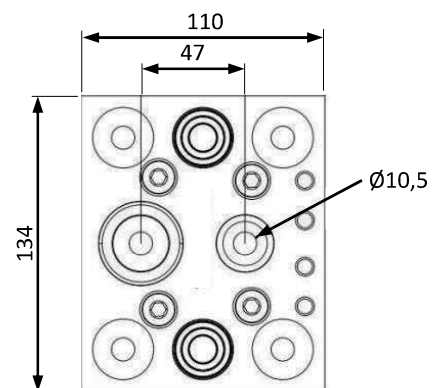
PM0108-10-02-G038-SB

PIASTRA 2 INNESTI CON VALVOLA FACCIA PIANA E
FILETTO FEMMINA G3/8" - PLATE WITH 2 FLAT FACE
VALVE PLUGS AND G3/8" FEMALE THREAD

PM0108-10-02-G012-SB

PIASTRA 2 INNESTI CON VALVOLA FACCIA PIANA E
FILETTO FEMMINA G1/2" - PLATE WITH 2 FLAT FACE
VALVE PLUGS AND G1/2" FEMALE THREAD

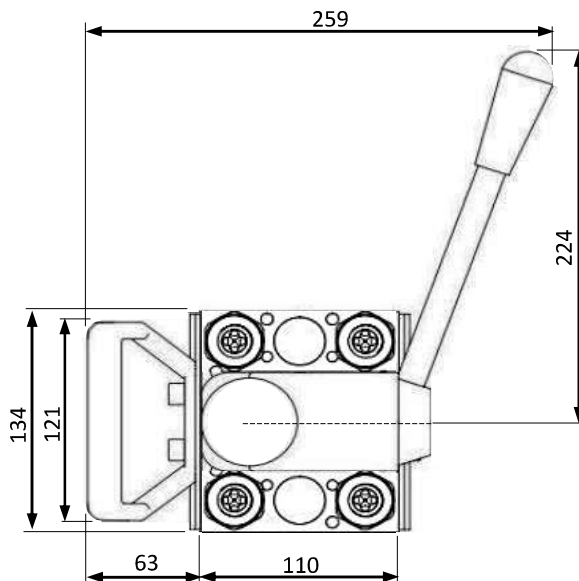
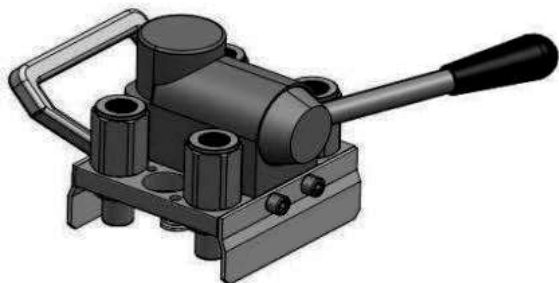
Disponibili anche con filetto femmina NPT e UNF – Available
also with female thread NPT and UNF



PM0108.10

PIASTRACON PASSAGGIO Ø10 – 2+2 POSIZIONI
PLATE WITH FLOW PASSAGE Ø10 2+2 GATES

PIASTRA LATO PRESSA – INJECTION MACHINE PLATE



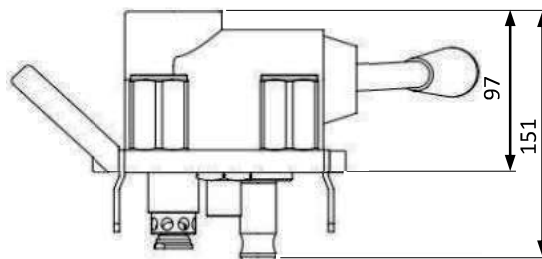
PM0108-10-04-G038-MF

PIASTRA 2 INNESTI CON VALVOLA FACCIA PIANA E
FILETTO FEMMINA G3/8" - PLATE WITH 2 FLAT FACE
VALVE PLUGS AND G3/8" FEMALE THREAD

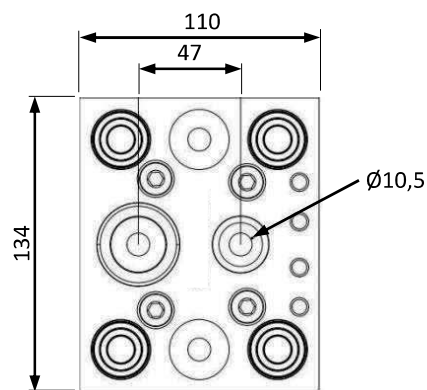
PM0108-10-04-G012-MF

PIASTRA 2 INNESTI CON VALVOLA FACCIA PIANA E
FILETTO FEMMINA G1/2" - PLATE WITH 2 FLAT FACE
VALVE PLUGS AND G1/2" FEMALE THREAD

Disponibili anche con filetto femmina NPT e UNF – Available
also with female thread NPT and UNF



PIASTRA LATO STAMPO – MOULD PLATE



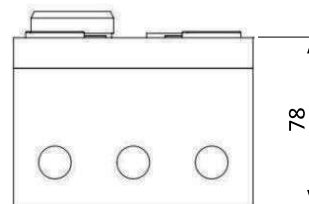
PM0108-10-04-G038-SB

PIASTRA 2 INNESTI CON VALVOLA FACCIA PIANA E
FILETTO FEMMINA G3/8" - PLATE WITH 2 FLAT FACE
VALVE PLUGS AND G3/8" FEMALE THREAD

PM0108-10-04-G012-SB

PIASTRA 2 INNESTI CON VALVOLA FACCIA PIANA E
FILETTO FEMMINA G1/2" - PLATE WITH 2 FLAT FACE
VALVE PLUGS AND G1/2" FEMALE THREAD

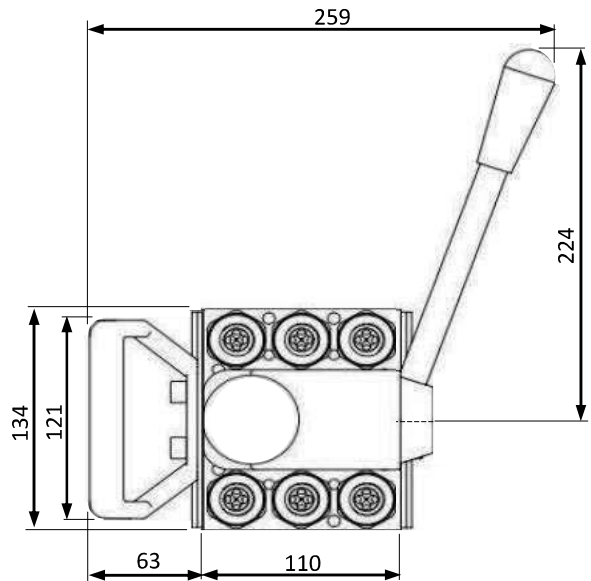
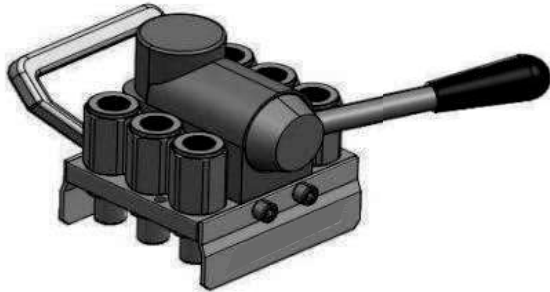
Disponibili anche con filetto femmina NPT e UNF – Available
also with female thread NPT and UNF



PM0108.10

PIASTRACON PASSAGGIO Ø10 – 3+3 POSIZIONI
PLATE WITH FLOW PASSAGE Ø10 3+3 GATES

PIASTRA LATO PRESSA – INJECTION MACHINE PLATE



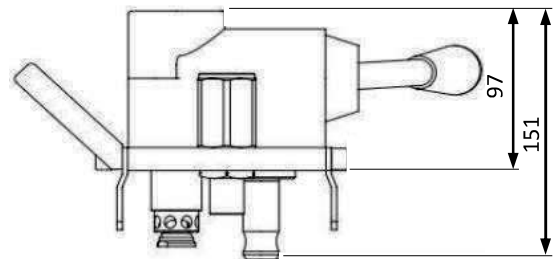
PM0108-10-02-G038-MF

PIASTRA 2 INNESTI CON VALVOLA FACCIA PIANA E
FILETTO FEMMINA G3/8" - PLATE WITH 2 FLAT FACE
VALVE PLUGS AND G3/8" FEMALE THREAD

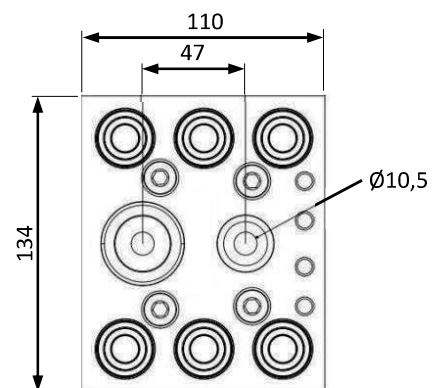
PM0108-10-02-G012-MF

PIASTRA 2 INNESTI CON VALVOLA FACCIA PIANA E
FILETTO FEMMINA G1/2" - PLATE WITH 2 FLAT FACE
VALVE PLUGS AND G1/2" FEMALE THREAD

Disponibili anche con filetto femmina NPT e UNF – Available
also with female thread NPT and UNF



PIASTRA LATO STAMPO – MOULD PLATE



PM0108-10-06-G038-SB

PIASTRA 2 INNESTI CON VALVOLA FACCIA PIANA E
FILETTO FEMMINA G3/8" - PLATE WITH 2 FLAT FACE
VALVE PLUGS AND G3/8" FEMALE THREAD

PM0108-10-06-G012-SB

PIASTRA 2 INNESTI CON VALVOLA FACCIA PIANA E
FILETTO FEMMINA G1/2" - PLATE WITH 2 FLAT FACE
VALVE PLUGS AND G1/2" FEMALE THREAD

Disponibili anche con filetto femmina NPT e UNF – Available
also with female thread NPT and UNF

