

PC2292 **148**



PC2293 **149**



PC2240 **150**



PC2241 **151**



PC2266



PC2268



PC2269 **152**



PC2294 **153**



PC2295 **154**



PC2244 **155**



PC2270 **156**

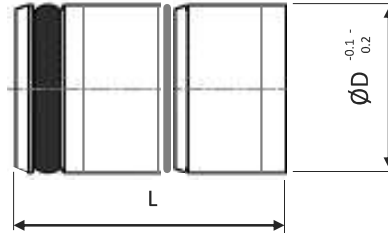


PC2273 **157**



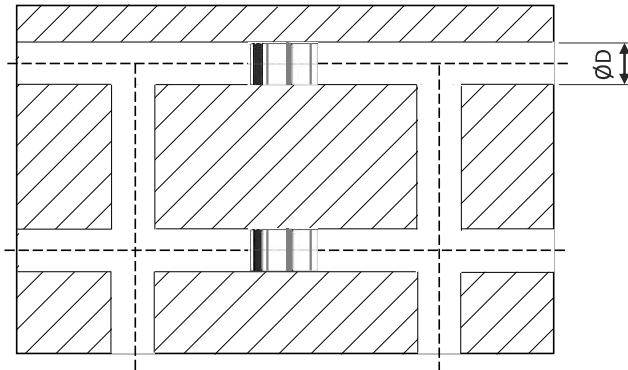
PC2292

DEVIATORE INTERNO AD ESPANSIONE IN AISI 304 CON ANELLO DI TENUTA MECCANICA E O-RING FKM
 AISI 304 THREADLESS DIVERTING PLUG WITH LOCKING RING AND FKM O-RING

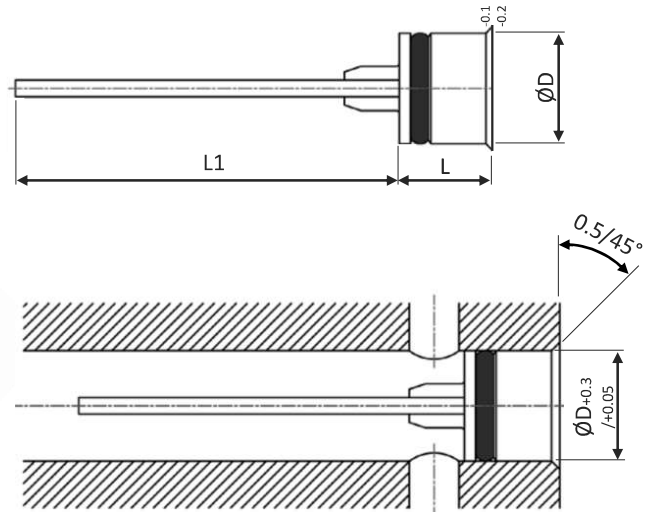
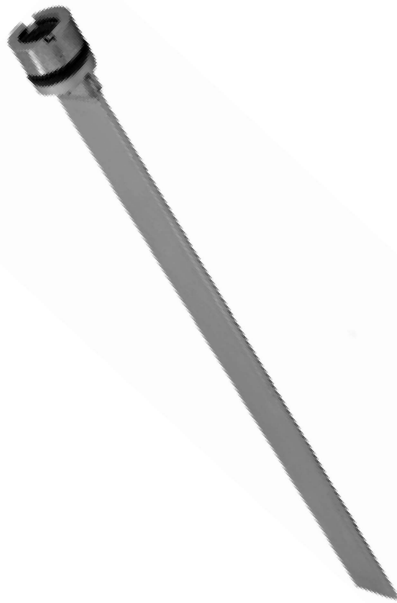


Codice-Code | $\varnothing D$ | L | max bar |

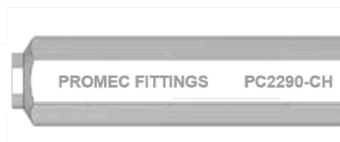
PC2292-08-S	8	15	15	25
PC2292-10-S	10	18,5		25
PC2292-11-S	11	18,5		20
PC2292-12-S	12	18,5		15
PC2292-15-S	15	20		10



PC2293 TAPPO AD ESPANSIONE CON LAMA IN AISI 304 CON ANELLO DI TENUTA MECCANICA E O-RING FKM
 AISI 304 THRTREADLESS PLUG BUFFLE WITH LOCKING RING AND FKM O-RING



PC2290-CH
 CHIAVE PER INSTALLAZIONE PC2293
 INSTALLATION TOOL FOR PC2293

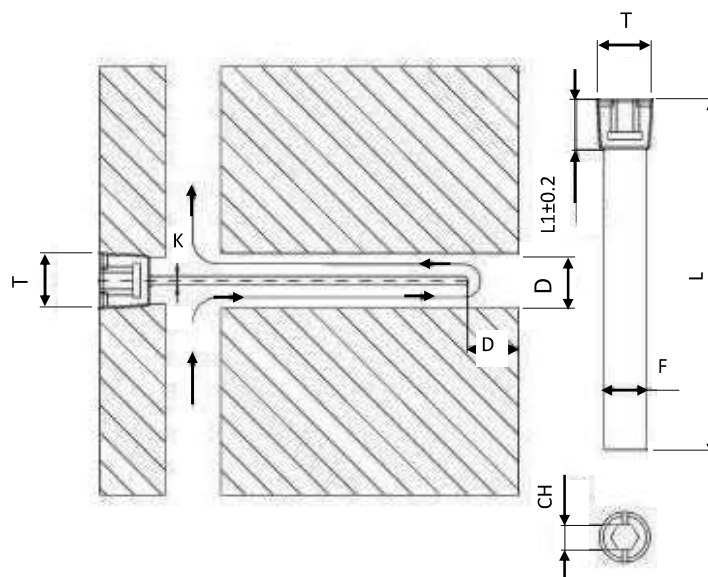


PC2290-TX
 TORX PER PC2290-CH
 TORX FOR PC2290-CH



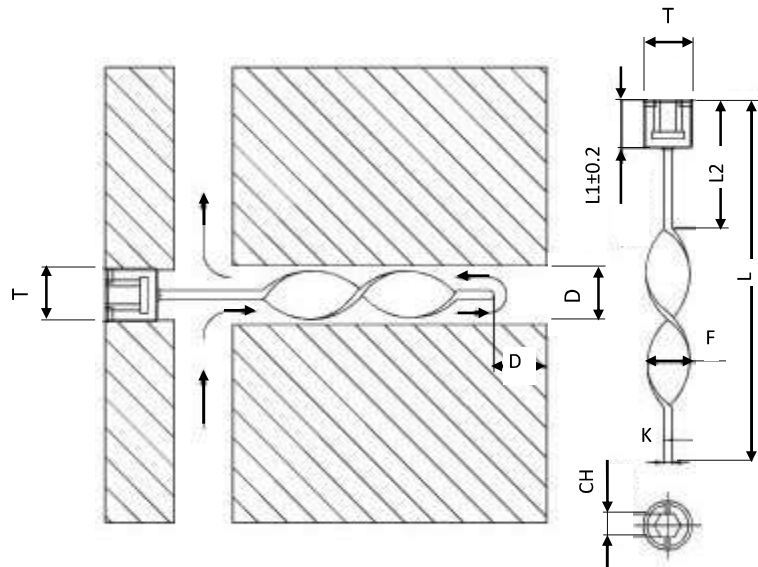
Codice-Code	ØD	L	L1	TORX	Codice Chiave Tool Code	Codice Torx Torx Code
PC2293-08-L150-S	8	≤9,5	150	T10	PC2290-08-CH	PC2290-TX10
PC2293-08-L200-S	8	≤9,5	200	T10	PC2290-08-CH	PC2290-TX10
PC2293-08-L300-S	8	≤9,5	300	T10	PC2290-08-CH	PC2290-TX10
PC2293-08-L400-S	8	≤9,5	400	T10	PC2290-08-CH	PC2290-TX10
PC2293-10-L150-S	10	≤10	150	T10	PC2290-10-CH	PC2290-TX10
PC2293-10-L200-S	10	≤10	200	T10	PC2290-10-CH	PC2290-TX10
PC2293-10-L300-S	10	≤10	300	T10	PC2290-10-CH	PC2290-TX10
PC2293-10-L400-S	10	≤10	400	T10	PC2290-10-CH	PC2290-TX10
PC2293-12-L150-S	12	≤11	150	T10	PC2290-12-CH	PC2290-TX10
PC2293-12-L200-S	12	≤11	200	T10	PC2290-12-CH	PC2290-TX10
PC2293-12-L300-S	12	≤11	300	T10	PC2290-12-CH	PC2290-TX10
PC2293-12-L400-S	12	≤12,5	400	T10	PC2290-12-CH	PC2290-TX10
PC2293-14-L150-S	14	≤12,5	150	T27	PC2290-14-CH	PC2290-TX27
PC2293-14-L200-S	14	≤12,5	200	T27	PC2290-14-CH	PC2290-TX27
PC2293-14-L300-S	14	≤12,5	300	T27	PC2290-14-CH	PC2290-TX27
PC2293-14-L400-S	14	≤12,5	400	T27	PC2290-14-CH	PC2290-TX27
PC2293-16-L150-S	16	≤12,5	150	T27	PC2290-16-CH	PC2290-TX27
PC2293-16-L200-S	16	≤12,5	200	T27	PC2290-16-CH	PC2290-TX27
PC2293-16-L300-S	16	≤12,5	300	T27	PC2290-16-CH	PC2290-TX27
PC2293-16-L400-S	16	≤12,5	400	T27	PC2290-16-CH	PC2290-TX27
PC2293-20-L150-S	20	≤13,5	150	T27	PC2290-20-CH	PC2290-TX27
PC2293-20-L200-S	20	≤13,5	200	T27	PC2290-20-CH	PC2290-TX27
PC2293-20-L300-S	20	≤13,5	300	T27	PC2290-20-CH	PC2290-TX27
PC2293-20-L400-S	20	≤13,5	400	T27	PC2290-20-CH	PC2290-TX27
PC2293-25-L150-S	25	≤13,5	150	T27	PC2290-25-CH	PC2290-TX27
PC2293-25-L200-S	25	≤13,5	200	T27	PC2290-25-CH	PC2290-TX27
PC2293-25-L300-S	25	≤13,5	300	T27	PC2290-25-CH	PC2290-TX27
PC2293-25-L400-S	25	≤13,5	400	T27	PC2290-25-CH	PC2290-TX27

PC2240 TAPPO OTTONE FILETTATO BSPP O METRICO CON LAMA
BSPP OR METRIC THREADED BRASS PLUG BAFFLE



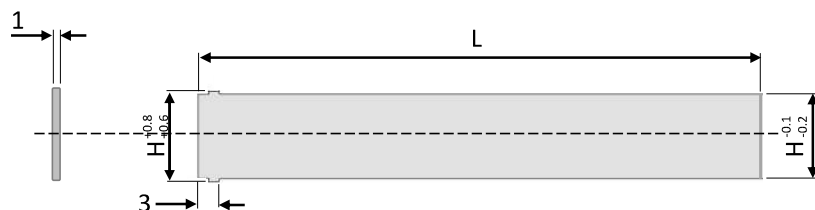
Codice-Code	CH	ØD	F	K	L	L1	T
PC2240-G018-L100	5	8.5	8.2	1.6	100	8	G 1/8"
PC2240-G018-L120	5	8.5	8.2	1.6	120	8	G 1/8"
PC2240-G018-L150	5	11.5	8.2	1.6	150	8	G 1/8"
PC2240-G018-L175	5	11.5	8.2	1.6	175	8	G 1/8"
PC2240-G018-L200	5	11.5	8.2	1.6	200	8	G 1/8"
PC2240-G014-L100	7	11.5	11.2	1.6	100	8	G 1/4"
PC2240-G014-L120	7	11.5	11.2	1.6	120	10	G 1/4"
PC2240-G014-L131	7	11.5	11.2	1.6	131	10	G 1/4"
PC2240-G014-L150	7	11.5	11.2	1.6	150	10	G 1/4"
PC2240-G014-L175	7	11.5	11.2	1.6	175	10	G 1/4"
PC2240-G014-L200	7	11.5	11.2	1.6	200	10	G 1/4"
PC2240-G014-L225	7	11.5	11.2	1.6	225	10	G 1/4"
PC2240-G014-L250	7	11.5	11.2	1.6	250	10	G 1/4"
PC2240-G038-L150	8	15	14.7	2.4	150	10	G 3/8"
PC2240-G038-L175	8	15	14.7	2.4	175	10	G 3/8"
PC2240-G038-L200	8	15	14.7	2.4	200	10	G 3/8"
PC2240-G038-L225	8	15	14.7	2.4	225	10	G 3/8"
PC2240-G038-L250	8	15	14.7	2.4	250	10	G 3/8"
PC2240-G038-L275	8	15	14.7	2.4	275	10	G 3/8"
PC2240-G038-L300	8	15	14.7	2.4	300	10	G 3/8"
PC2240-G012-L203	10	18.5	18.2	2.4	203	10	G 1/2"
PC2240-G012-L400	10	18.5	18.2	2.4	400	10	G 1/2"
PC2240-G034-L300	12	23.5	23.2	3.2	300	12	G 3/4"
PC2240-G034-L500	12	23.5	23.2	3.2	500	12	G 3/4"
PC2240-G100-L406	14	28.5	28.2	3.2	406	12	G 1"
PC2240-G100-L610	14	28.5	28.2	3.2	610	12	G 1"
PC2240-M008-L100	4	6	5.8	1.6	100	8	M8x0.75
PC2240-M008-L200	4	6	5.8	1.6	200	8	M8x0.75
PC2240-M010-L100	5	8	7.8	1.6	100	8	M10x1
PC2240-M010-L200	5	8	7.8	1.6	200	8	M10x1
PC2240-M012-L125	6	10	9.8	2	125	8	M12x1.5
PC2240-M012-L250	6	10	9.8	2	250	8	M12x1.5
PC2240-M016-L150	8	14	13.8	2.4	150	10	M16x1.5
PC2240-M016-L300	8	14	13.8	2.4	300	10	M16x1.5
PC2240-M020-L150	10	18	17.8	2.4	150	10	M20x1.5
PC2240-M020-L300	10	18	17.8	2.4	300	10	M20x1.5
PC2240-M024-L150	10	20	19.8	2.4	150	12	M24x1.5
PC2240-M024-L300	10	20	19.8	2.4	300	12	M24x1.5

PC2241 TAPPO OTTONE FILETTATO BSPP O METRICO CON LAMA ELICOIDALE
BSPP OR METRIC THREADED BRASS PLUG SPIRAL BAFFLE



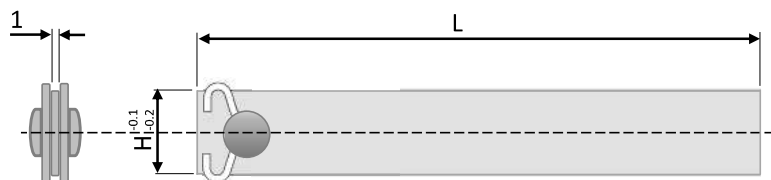
Codice-Code	CH	ØD	D1	K	L	L1	L2	T
PC2241-G018-L100	5	11.5	-	1.6	100	8	51	G 1/8"
PC2241-G018-L120	5	11.5	-	1.6	120	8	102	G 1/8"
PC2241-G018-L150	5	11.5	-	1.6	150	8	102	G 1/8"
PC2241-G018-L175	5	11.5	-	1.6	175	8	102	G 1/8"
PC2241-G018-L200	5	11.5	-	1.6	200	8	102	G 1/8"
PC2241-G014-L100	7	11.5	-	1.6	100	8	51	G 1/4"
PC2241-G014-L120	7	11.5	-	1.6	120	10	102	G 1/4"
PC2241-G014-L131	7	11.5	-	1.6	131	10	102	G 1/4"
PC2241-G014-L150	7	11.5	-	1.6	150	10	102	G 1/4"
PC2241-G014-L175	7	11.5	-	1.6	175	10	102	G 1/4"
PC2241-G014-L200	7	11.5	-	1.6	200	10	102	G 1/4"
PC2241-G014-L225	7	11.5	-	1.6	225	10	102	G 1/4"
PC2241-G014-L250	7	11.5	-	1.6	250	10	102	G 1/4"
PC2241-G038-L150	8	15	-	2.4	150	10	51	G 3/8"
PC2241-G038-L175	8	15	-	2.4	175	10	102	G 3/8"
PC2241-G038-L200	8	15	-	2.4	200	10	102	G 3/8"
PC2241-G038-L225	8	15	-	2.4	225	10	102	G 3/8"
PC2241-G038-L250	8	15	-	2.4	250	10	102	G 3/8"
PC2241-G038-L275	8	15	-	2.4	275	10	102	G 3/8"
PC2241-G038-L300	8	15	-	2.4	300	10	102	G 3/8"
PC2241-G012-L203	10	18.5	-	2.4	203	10	76	G 1/2"
PC2241-G012-L400	10	18.5	-	2.4	400	10	127	G 1/2"
PC2241-G034-L300	12	23.5	-	3.2	300	12	102	G 3/4"
PC2241-G034-L500	12	23.5	-	3.2	500	12	153	G 3/4"
PC2241-G100-L406	14	28.5	-	3.2	406	12	127	G 1"
PC2241-G100-L610	14	28.5	-	3.2	610	12	203	G 1"
PC2241-M008-L100	4	6	-	1.6	100	8	-	M8x0.75
PC2241-M008-L200	4	6	-	1.6	200	8	-	M8x0.75
PC2241-M010-L100	5	8	-	1.6	100	8	-	M10x1
PC2241-M010-L200	5	8	-	1.6	200	8	-	M10x1
PC2241-M012-L125	6	10	-	2	125	8	-	M12x1,5
PC2241-M012-L250	6	10	-	2	250	8	-	M12x1,5
PC2241-M016-L150	8	14	-	2.4	150	10	-	M16x1,5
PC2241-M016-L300	8	14	-	2.4	300	10	-	M16x1,5
PC2241-M020-L150	10	18	-	2.4	150	10	-	M20x1,5
PC2241-M020-L300	10	18	-	2.4	300	10	-	M20x1,5
PC2241-M024-L150	10	20	-	2.4	150	12	-	M24x1,5
PC2241-M024-L300	10	20	-	2.4	300	12	-	M24x1,5

PC2266 LAMA ACCIAIO INOX AUTO SERRANTE
STAINLESS STEEL SELF LOCKING BAFFLE



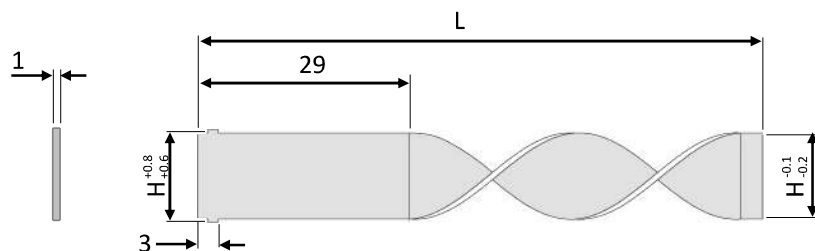
Codice-Code	H	L
PC2266-10-L500-S	10	500
PC2266-12-L200-S	12	200
PC2266-14-L200-S	14	200
PC2266-16-L150-S	16	150
PC2266-16-L300-S	16	300
PC2266-20-L300-S	20	300
PC2266-25-L300-S	25	300

PC2268 LAMA ACCIAIO INOX AUTO SERRANTE CON MOLLA
STAINLESS STEEL SELF LOCKING BAFFLE WITH SPRING



Codice-Code	H	L
PC2268-10-L200-S	10	200
PC2268-12-L200-S	12	200
PC2268-14-L200-S	14	200
PC2268-16-L300-S	16	300
PC2268-20-L400-S	20	400
PC2268-25-L600-S	25	600

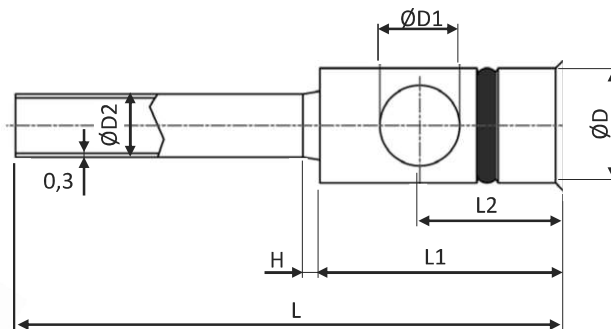
PC2269 LAMA A SPIRALE ACCIAIO INOX AUTO SERRANTE
STAINLESS STEEL SELF LOCKING SPIRAL BAFFLE



Codice-Code	H	L
PC2269-16-L450-S	16	450
PC2269-20-L300-S	20	300
PC2269-20-L450-S	20	450
PC2269-25-L300-S	25	300

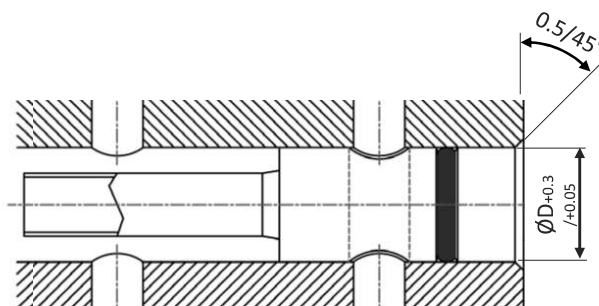
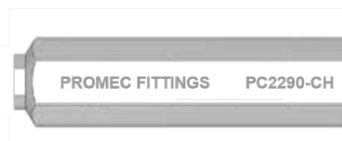
PC2294

TAPPO A ESPANSIONE CON FONTANA IN PARALLELO AISI 304 CON ANELLO DI TENUTA MECCANICA E O-R FKM AISI 304 THRTREADLESS PARALLEL PLUG CASCADE WITH LOCKING RING AND FKM O-RING



PC2290-CH

CHIAVE PER INSTALLAZIONE PC2294
INSTALLATION TOOL FOR PC2294



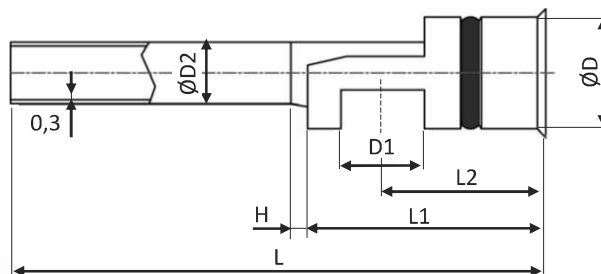
PC2290-TX

TORX PER PC2290-CH
TORX FOR PC2290-CH



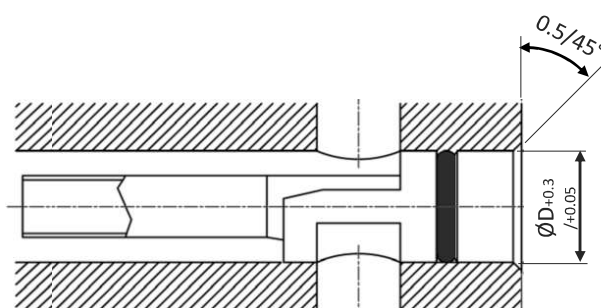
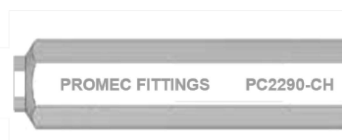
Codice-Code	ØD	ØD1	ØD2	H	L	L1	L2	TORX	Codice Chiave Tool Code	Codice Torx Torx Code
PC2294-08-L150-S	8	5	4,5	1,5	150	17	12,5	T10	PC2290-08-CH	PC2290-TX10
PC2294-08-L200-S	8	5	4,5	1,5	200	17	12,5	T10	PC2290-08-CH	PC2290-TX10
PC2294-08-L300-S	8	5	4,5	1,5	300	17	12,5	T10	PC2290-08-CH	PC2290-TX10
PC2294-08-L400-S	8	5	4,5	1,5	400	17	12,5	T10	PC2290-08-CH	PC2290-TX10
PC2294-10-L150-S	10	7	5	2	150	22	16	T10	PC2290-10-CH	PC2290-TX10
PC2294-10-L200-S	10	7	5	2	200	22	16	T10	PC2290-10-CH	PC2290-TX10
PC2294-10-L300-S	10	7	5	2	300	22	16	T10	PC2290-10-CH	PC2290-TX10
PC2294-10-L400-S	10	7	5	2	400	22	16	T10	PC2290-10-CH	PC2290-TX10
PC2294-12-L150-S	12	8	7	1,5	150	24,5	17	T10	PC2290-12-CH	PC2290-TX10
PC2294-12-L200-S	12	8	7	1,5	200	24,5	17	T10	PC2290-12-CH	PC2290-TX10
PC2294-12-L300-S	12	8	7	1,5	300	24,5	17	T10	PC2290-12-CH	PC2290-TX10
PC2294-12-L400-S	12	8	7	1,5	400	24,5	17	T10	PC2290-12-CH	PC2290-TX10
PC2294-14-L150-S	14	10	9	2	150	25,5	17,5	T27	PC2290-14-CH	PC2290-TX27
PC2294-14-L200-S	14	10	9	2	200	25,5	17,5	T27	PC2290-14-CH	PC2290-TX27
PC2294-14-L300-S	14	10	9	2	300	25,5	17,5	T27	PC2290-14-CH	PC2290-TX27
PC2294-14-L400-S	14	10	9	2	400	25,5	17,5	T27	PC2290-14-CH	PC2290-TX27
PC2294-16-L150-S	16	12	10	2	150	29	19	T27	PC2290-16-CH	PC2290-TX27
PC2294-16-L200-S	16	12	10	2	200	29	19	T27	PC2290-16-CH	PC2290-TX27
PC2294-16-L300-S	16	12	10	2	300	29	19	T27	PC2290-16-CH	PC2290-TX27
PC2294-16-L400-S	16	12	10	2	400	29	19	T27	PC2290-16-CH	PC2290-TX27
PC2294-20-L150-S	20	14	13	3	150	30,5	20,5	T27	PC2290-20-CH	PC2290-TX27
PC2294-20-L200-S	20	14	13	3	200	30,5	20,5	T27	PC2290-20-CH	PC2290-TX27
PC2294-20-L300-S	20	14	13	3	300	30,5	20,5	T27	PC2290-20-CH	PC2290-TX27
PC2294-20-L400-S	20	14	13	3	400	30,5	20,5	T27	PC2290-20-CH	PC2290-TX27
PC2294-25-L150-S	25	16	16	4,5	150	33	22	T27	PC2290-25-CH	PC2290-TX27
PC2294-25-L200-S	25	16	16	4,5	200	33	22	T27	PC2290-25-CH	PC2290-TX27
PC2294-25-L300-S	25	16	16	4,5	300	33	22	T27	PC2290-25-CH	PC2290-TX27
PC2294-25-L400-S	25	16	16	4,5	400	33	22	T27	PC2290-25-CH	PC2290-TX27

PC2295 TAPPO A ESPANSIONE CON FONTANA SEQUENZIALE IN AISI 304 CON ANELLO DI TENUTA MECCANICA E O-R FKM AISI 304 THREADLESS SEQUENTIAL PLUG CASCADE WITH LOCKING RING AND FKM O-RING



PC2290-CH

CHIAVE PER INSTALLAZIONE PC2295
INSTALLATION TOOL FOR PC2295



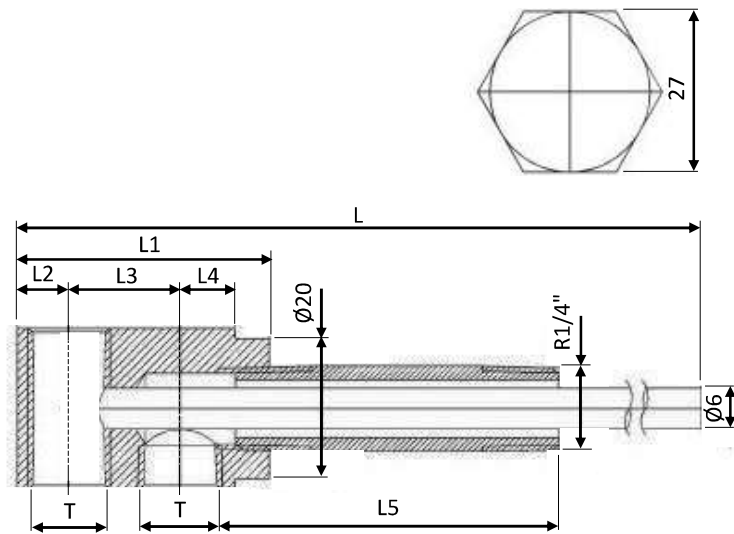
PC2290-TX

TORX PER PC2290-CH
TORX FOR PC2290-CH



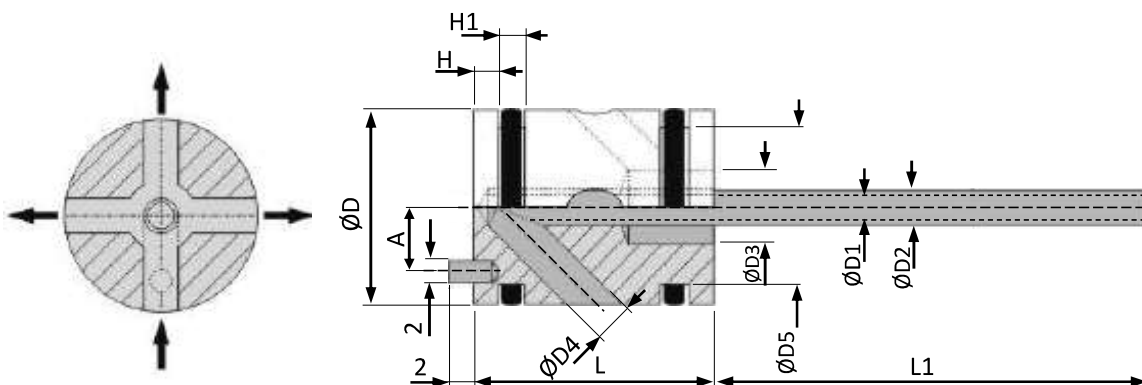
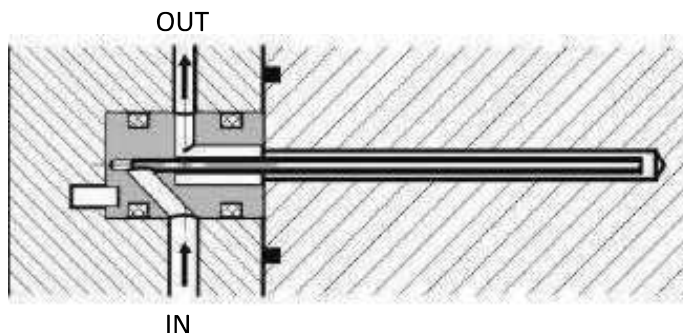
Model	ØD	D1	ØD2	H	L	L1	L2	TORX	Codice Chiave Tool Code	Codice Torx Torx Code
50-S	8	6	4,5	1,5	150	18	13	T10	PC2290-08-CH	PC2290-TX10
PC2295-08-L200-S	8	6	4,5	1,5	200	18	13	T10	PC2290-08-CH	PC2290-TX10
PC2295-08-L300-S	8	6	4,5	1,5	300	18	13	T10	PC2290-08-CH	PC2290-TX10
PC2295-08-L400-S	8	6	4,5	1,5	400	18	13	T10	PC2290-08-CH	PC2290-TX10
PC2295-10-L150-S	10	8	5	1,5	150	23	16	T10	PC2290-10-CH	PC2290-TX10
PC2295-10-L200-S	10	8	5	1,5	200	23	16	T10	PC2290-10-CH	PC2290-TX10
PC2295-10-L300-S	10	8	5	1,5	300	23	16	T10	PC2290-10-CH	PC2290-TX10
PC2295-10-L400-S	10	8	5	1,5	400	23	16	T10	PC2290-10-CH	PC2290-TX10
PC2295-12-L150-S	12	9	7	1,5	150	25,5	17,5	T10	PC2290-12-CH	PC2290-TX10
PC2295-12-L200-S	12	9	7	1,5	200	25,5	17,5	T10	PC2290-12-CH	PC2290-TX10
PC2295-12-L300-S	12	9	7	1,5	300	25,5	17,5	T10	PC2290-12-CH	PC2290-TX10
PC2295-12-L400-S	12	9	7	1,5	400	25,5	17,5	T10	PC2290-12-CH	PC2290-TX10
PC2295-14-L150-S	14	11,5	9	2,5	150	27	18	T27	PC2290-14-CH	PC2290-TX27
PC2295-14-L200-S	14	11,5	9	2,5	200	27	18	T27	PC2290-14-CH	PC2290-TX27
PC2295-14-L300-S	14	11,5	9	2,5	300	27	18	T27	PC2290-14-CH	PC2290-TX27
PC2295-14-L400-S	14	11,5	9	2,5	400	27	18	T27	PC2290-14-CH	PC2290-TX27
PC2295-16-L150-S	16	12,5	10	2	150	31	21,5	T27	PC2290-16-CH	PC2290-TX27
PC2295-16-L200-S	16	12,5	10	2	200	31	21,5	T27	PC2290-16-CH	PC2290-TX27
PC2295-16-L300-S	16	12,5	10	2	300	31	21,5	T27	PC2290-16-CH	PC2290-TX27
PC2295-16-L400-S	16	12,5	10	2	400	31	21,5	T27	PC2290-16-CH	PC2290-TX27
PC2295-20-L150-S	20	18	13	2	150	38,5	24	T27	PC2290-20-CH	PC2290-TX27
PC2295-20-L200-S	20	18	13	2	200	38,5	24	T27	PC2290-20-CH	PC2290-TX27
PC2295-20-L300-S	20	18	13	2	300	38,5	24	T27	PC2290-20-CH	PC2290-TX27
PC2295-20-L400-S	20	18	13	2	400	38,5	24	T27	PC2290-20-CH	PC2290-TX27
PC2295-25-L150-S	25	20	16	2	150	42	27	T27	PC2290-25-CH	PC2290-TX27
PC2295-25-L200-S	25	20	16	2	200	42	27	T27	PC2290-25-CH	PC2290-TX27
PC2295-25-L300-S	25	20	16	2	300	42	27	T27	PC2290-25-CH	PC2290-TX27
PC2295-25-L400-S	25	20	16	2	400	42	27	T27	PC2290-25-CH	PC2290-TX27

PC2244 RAFFREDDATORE A FONTANA IN OTTONE E ACCIAIO ZINCATO
BRASS AND GALVANIZED STEEL COOLING CASCADE



Codice-Code	L	L1	L2	L3	L4	L5	T
PC2244-19-G018-L050	356	42	9	19	9	50	G1/8"
PC2244-19-G018-L100	356	42	9	19	9	100	G1/8"
PC2244-19-G018-L150	356	42	9	19	9	150	G1/8"
PC2244-19-G018-L200	356	42	9	19	9	200	G1/8"
PC2244-26-G018-L050	362	54	9	26	12	50	G1/8"
PC2244-26-G018-L100	362	54	9	26	12	100	G1/8"
PC2244-26-G018-L150	362	54	9	26	12	150	G1/8"
PC2244-26-G018-L200	362	54	9	26	12	200	G1/8"
PC2244-19-G014-L050	356	42	9	19	9	50	G1/4"
PC2244-19-G014-L100	356	42	9	19	9	100	G1/4"
PC2244-19-G014-L150	356	42	9	19	9	150	G1/4"
PC2244-19-G014-L200	356	42	9	19	9	200	G1/4"
PC2244-26-G014-L050	362	54	9	26	12	50	G1/4"
PC2244-26-G014-L100	362	54	9	26	12	100	G1/4"
PC2244-26-G014-L150	362	54	9	26	12	150	G1/4"
PC2244-26-G014-L200	362	54	9	26	12	200	G1/4"

PC2270 RAFFREDDATORE A FONTANA
COOLING CASCADE

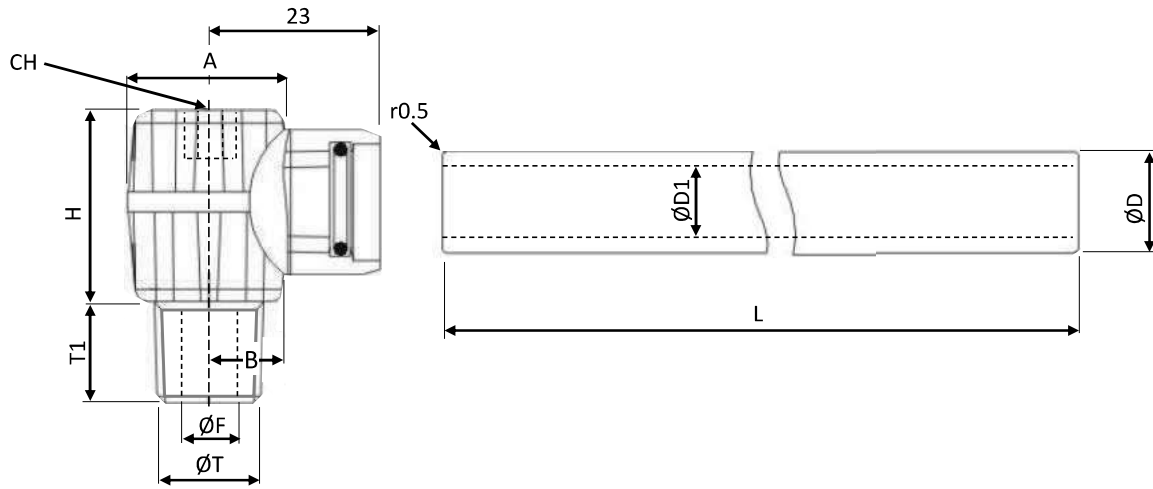


CARATTERISTICHE TECNICHE
 Tubetto in acciaio nichelato
 Corpo in ottone nichelato
 O-Rings in NBR

TECHNICAL FEATURES
 Nickel plated steel tube
 Nickel plated brass body
 NBR O-Rings

	A	D1	D	D2	D3	D4	D5	H	H1	L	L1
PC2270-10-008-150	3	0.8	10	1.3	4	2	7.15	2.1	2.2	150	15
PC2270-10-120-150	3	1.2	10	1.6	4	2	7.15	2.1	2.2	150	15
PC2270-10-180-150	3	1.8	10	2.4	4	2	7.15	2.1	2.2	150	15
PC2270-16-120-200	5.5	1.2	16	1.6	6	3	13	2.2	2.4	200	20
PC2270-16-180-200	5.5	1.8	16	2.4	6	3	13	2.2	2.4	200	20
PC2270-16-250-200	5.5	2.5	16	3.3	6	3	13	2.2	2.4	200	20
PC2270-25-320-200	9.8	3.2	25	4	12	7	22	3.2	2.4	200	30
PC2270-25-400-200	9.8	4	25	5	12	7	22	3.2	2.4	200	30
PC2270-25-500-200	9.8	5	25	6	12	7	22	3.2	2.4	200	30
PC2270-25-700-200	9.8	7	25	8	12	7	22	3.2	2.4	200	30

PC2273 DEVIATORE ESTERNO A PONTE
BRIDGE DIVERTING



	A	B	CH	ØD	ØD1	H	ØF	L	ØT	T1
PC2273-08-G018-L300	21	8.7	6	8	6	26	5	300	G1/8"	9
PC2273-08-G018-L500	21	8.7	6	8	6	26	5	500	G1/8"	9
PC2273-08-G014-L300	21	8.7	6	8	6	26	6	300	G1/4"	9
PC2273-08-G014-L500	21	8.7	6	8	6	26	6	500	G1/4"	9
PC2273-12-G014-L300	25	11.2	8	12	10	30	9	300	G1/4"	9
PC2273-12-G014-L500	25	11.2	8	12	10	30	9	500	G1/4"	9
PC2273-12-G038-L300	25	11.2	8	12	10	30	9	300	G3/8"	9
PC2273-12-G038-L500	25	11.2	8	12	10	30	9	500	G3/8"	9